

Engineering Specification

Job Name _____

Contractor _____

Job Location _____

Approval _____

Engineer _____

Contractor's P.O. No. _____

Approval _____

Representative _____

GRD-730 Green Roof Large Multi-Level Planter Drain

Specification

Watts GRD-730 epoxy coated cast iron green roof large multi-level planter drain with bottom flashing clamp, stainless steel screened aluminum dome, perforated ABS standpipe, upper self-locking stainless steel screened aluminum dome and no hub (standard) outlet.

Call customer service if you need assistance with technical details.

Pipe Sizing			Options		
Suffix	Description		Suffix	Description	
2	2"(51) Pipe Size (NH Only)	<input type="checkbox"/>	-5	Sediment Bucket	<input type="checkbox"/>
3	3"(76) Pipe Size	<input type="checkbox"/>	-6	Vandal Proof Top	<input type="checkbox"/>
4	4"(102) Pipe Size	<input type="checkbox"/>	-13	Galvanized	<input type="checkbox"/>
5	5"(127) Pipe Size (NH Only)	<input type="checkbox"/>	-B	Sump Receiver	<input type="checkbox"/>
6	6"(152) Pipe Size	<input type="checkbox"/>	-D	Underdeck Clamp	<input type="checkbox"/>
8	8"(203) Pipe Size	<input type="checkbox"/>	-F	Deck Flange/ Adj. Extension	<input type="checkbox"/>
10	10"(254) Pipe Size (NH Only)	<input type="checkbox"/>	-W	Adj. Internal Water Dam	<input type="checkbox"/>

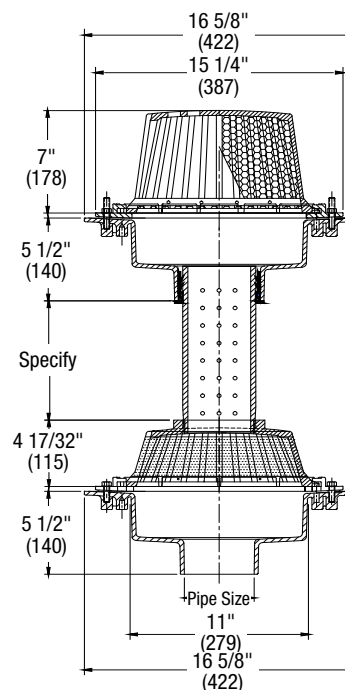
Outlet Type		
Suffix	Description	
NH	No Hub (M.J)	<input type="checkbox"/>
P	Push On	<input type="checkbox"/>
X	Inside Caulk	<input type="checkbox"/>

**Deck Opening: 14 1/2" (368)
w/Sump Receiver: 18" (457)**

NOTICE

The information contained herein is not intended to replace the full product installation and safety information available or the experience of a trained product installer. You are required to thoroughly read all installation instructions and product safety information before beginning the installation of this product.

Watts product specifications in U.S. customary units and metric are approximate and are provided for reference only. For precise measurements, please contact Watts Technical Service. Watts reserves the right to change or modify product design, construction, specifications, or materials without prior notice and without incurring any obligation to make such changes and modifications on Watts products previously or subsequently sold.



USA: T: (800) 338-2581 • Watts.com
Canada: T: (888) 208-8927 • Watts.ca
Latin America: T: (52) 55-4122-0138 • Watts.com

ES-WD-GRD-730 2445

