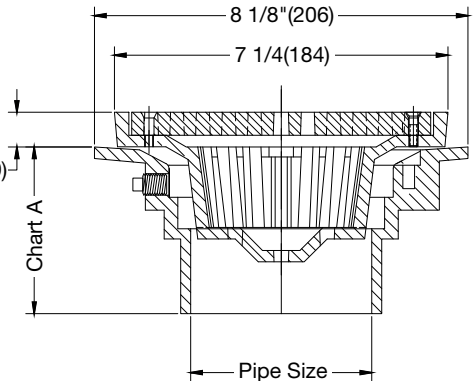


# Engineering Specification

Job Name \_\_\_\_\_ Contractor \_\_\_\_\_  
 Job Location \_\_\_\_\_ Approval \_\_\_\_\_  
 Engineer \_\_\_\_\_ Contractor's P.O. No. \_\_\_\_\_  
 Approval \_\_\_\_\_ Representative \_\_\_\_\_

## FD-320-Y-SET Area Drain with 8" Round Fixed Top, Grate Supported by Bucket Specification

Watts FD-320-Y-SET epoxy coated cast iron area drain with anchor flange, membrane clamp with weepholes, 8"(203) diameter fixed top, loose set heel proof ductile iron grate supported by bucket, and no hub connection (standard).



Call customer service if you need assistance with technical details.

| Pipe Sizing |                             |                          |
|-------------|-----------------------------|--------------------------|
| Suffix      | Description                 |                          |
| 2           | 2"(51) Pipe Size            | <input type="checkbox"/> |
| 3           | 3"(76) Pipe Size            | <input type="checkbox"/> |
| 4           | 4"(102) Pipe Size           | <input type="checkbox"/> |
| 6           | 6"(152) Pipe Size (NH Only) | <input type="checkbox"/> |

| Optional Body Material |                          |                          |
|------------------------|--------------------------|--------------------------|
| Suffix                 | Description              |                          |
| -60                    | PVC Body w/Socket Outlet | <input type="checkbox"/> |
| -61                    | ABS Body w/Socket Outlet | <input type="checkbox"/> |

| Outlet Type |                 |                          |
|-------------|-----------------|--------------------------|
| Suffix      | Description     |                          |
| NH          | No Hub (MJ)     | <input type="checkbox"/> |
| P           | Push On         | <input type="checkbox"/> |
| T           | Threaded Outlet | <input type="checkbox"/> |
| X           | Inside Caulk    | <input type="checkbox"/> |

| Options |                                   |                          |
|---------|-----------------------------------|--------------------------|
| Suffix  | Description                       |                          |
| -1      | Nickel Bronze Top                 | <input type="checkbox"/> |
| -5      | Sediment Bucket                   | <input type="checkbox"/> |
| -6      | Vandal Proof                      | <input type="checkbox"/> |
| -7      | Trap Primer Tapping               | <input type="checkbox"/> |
| -8      | Backwater Valve (2, 3, 4" Only)   | <input type="checkbox"/> |
| -13     | Galvanized Body                   | <input type="checkbox"/> |
| -21     | Secondary Strainer                | <input type="checkbox"/> |
| -34     | Closure Plug                      | <input type="checkbox"/> |
| -F4-50  | 4" Round Cast Iron Funnel         | <input type="checkbox"/> |
| -F4-1   | 4" Round Nickel Bronze Funnel     | <input type="checkbox"/> |
| -F6-1   | 6" Round Nickel Bronze Funnel     | <input type="checkbox"/> |
| -G-50   | 4" x 9" Oval Cast Iron Funnel     | <input type="checkbox"/> |
| -G-1    | 4" x 9" Oval Nickel Bronze Funnel | <input type="checkbox"/> |
| -S0     | Side Outlet                       | <input type="checkbox"/> |

| Load Rating | Free Area |
|-------------|-----------|
| HD          | 18        |

**Chart A**

| Pipe Size | Std. No Hub | P Push On   | T Female Thread | X Inside Caulk | 60/61 PVC/ABS |
|-----------|-------------|-------------|-----------------|----------------|---------------|
| 2"(51)    | 3 5/8"(92)  | 4 1/4"(108) | 4 1/4"(108)     | 4 1/2"(114)    | 4"(102)       |
| 3"(76)    | 3 5/8"(92)  | 4 1/4"(108) | 4 1/4"(108)     | 4 1/2"(114)    | 4"(102)       |
| 4"(102)   | 3 5/8"(92)  | 4 1/4"(108) | 4 1/4"(108)     | 4 1/2"(114)    | 4"(102)       |
| 6"(142)   | 3 1/2"(89)  | -           | -               | -              | -             |

**NOTICE**  
 The load classifications are in accordance with the American National Standards ASME A112.36.2M-91(R2012). ASME Ratings are as follows:  
 HD - Safe Live Load 5000-7499 lbs. (2250-3375)  
 The above categories are given as a guide only. Please consult factory.

**NOTICE**  
 The information contained herein is not intended to replace the full product installation and safety information available or the experience of a trained product installer. You are required to thoroughly read all installation instructions and product safety information before beginning the installation of this product.

Watts product specifications in U.S. customary units and metric are approximate and are provided for reference only. For precise measurements, please contact Watts Technical Service. Watts reserves the right to change or modify product design, construction, specifications, or materials without prior notice and without incurring any obligation to make such changes and modifications on Watts products previously or subsequently sold.



**USA:** T: (800) 338-2581 • Watts.com  
**Canada:** T: (888) 208-8927 • Watts.ca  
**Latin America:** T: (52) 55-4122-0138 • Watts.com