

Engineering Specification

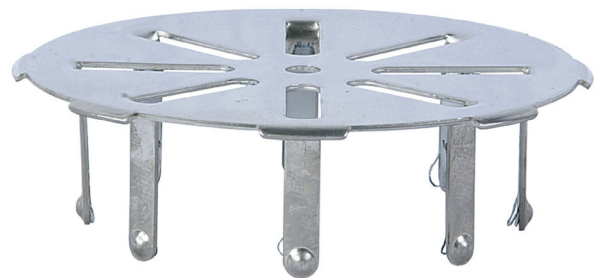
Job Name _____	Contractor _____
Job Location _____	Approval _____
Engineer _____	Contractor's P.O. No. _____
Approval _____	Representative _____
Tag _____	

FD4

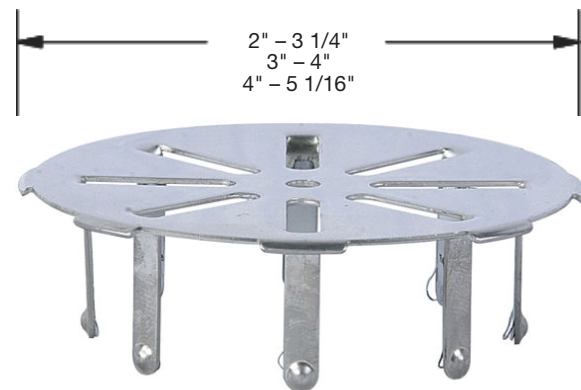
Snap-In Stainless Steel Grate

Specifications

Watts Light Commercial FD4 snap-in stainless steel grate with flexible projections.



Pipe Sizing		
Suffix	Description	
-2	2"(51) Pipe Size	<input type="checkbox"/>
-3	3"(76) Pipe Size	<input type="checkbox"/>
-4	4"(102) Pipe Size	<input type="checkbox"/>



NOTICE

The information contained herein is not intended to replace the full product installation and safety information available or the experience of a trained product installer. You are required to thoroughly read all installation instructions and product safety information before beginning the installation of this product.

Watts product specifications in U.S. customary units and metric are approximate and are provided for reference only. For precise measurements, please contact Watts Technical Service. Watts reserves the right to change or modify product design, construction, specifications, or materials without prior notice and without incurring any obligation to make such changes and modifications on Watts products previously or subsequently sold.



USA: T: (800) 338-2581 • F: (828) 248-3929 • Watts.com
Canada: T: (888) 208-8927 • F: (905) 481-2316 • Watts.ca
Latin America: T: (52) 55-4122-0138 • Watts.com