



Operation and Maintenance Manual

Benchmark® Boilers

Natural Gas, Propane Gas and Dual Fuel
Fired Modulating & Condensing Boilers

Models 5000 and 6000

Other documents for this product include:

OMM-0123, GF-207 Installation & Startup Manual
TAG-0019, GF-2070 Boiler Application Guide
TAG-0022, GF-2050 Vent-Combustion Air Guide
TAG-0047, GF-2030 Benchmark Gas Guide
TAG-0048, GF-2060 Benchmark Power Guide

Applies to serial numbers:

N-20-0001 and above



Disclaimer

The information contained in this manual is subject to change without notice from AERCO International, Inc. AERCO makes no warranty of any kind with respect to this material, including, but not limited to, implied warranties of merchantability and fitness for a particular application. AERCO International is not liable for errors appearing in this manual, not for incidental or consequential damages occurring in connection with the furnishing, performance, or use of these materials



Heating and Hot Water Solutions

AERCO International, Inc. • 100 Oritani Drive • Blauvelt, NY 10913
USA: T: (845) 580-8000 • Toll Free: (800) 526-0288 • AERCO.com
Technical Support • (800) 526-0288 • Mon-Fri, 8 am - 5 pm EST
© 2022 AERCO

TABLE OF CONTENTS

FOREWORD5

SECTION 1: SAFETY PRECAUTIONS9

1.1 WARNINGS & CAUTIONS 9

1.2 EMERGENCY SHUTDOWN..... 10

1.3 PROLONGED SHUTDOWN..... 10

1.4 IMPORTANT – FOR MASSACHUSETTS INSTALLATIONS 11

SECTION 2: OPERATION13

2.1 INTRODUCTION..... 13

2.2 C-MORE CONTROLLER DESCRIPTION 14

2.3 C-MORE CONTROLLER MENUS 17

 2.3.1 Menu Navigation and Processing Procedure.....17

2.4 OPERATING MENU 19

2.5 SETUP MENU..... 20

2.6 CONFIGURATION MENU 21

2.7 TUNING MENU..... 23

2.8 COMBUSTION CAL MENU 23

2.9 BST (BOILER SEQUENCING TECHNOLOGY) MENU 24

2.10 CALIBRATION MENU..... 27

SECTION 3: MODES OF OPERATION29

3.1 INDOOR/OUTDOOR RESET MODE 29

 3.1.1 Reset Ratio..... 29

 3.1.2 Building Reference Temperature..... 29

 3.1.3 Outdoor Air Temperature Sensor Installation 29

 3.1.4 Indoor/Outdoor Startup 30

3.2 CONSTANT SETPOINT MODE 30

 3.2.1 Setting the Setpoint 31

3.3 REMOTE SETPOINT MODES 31

 3.3.1 Remote Setpoint Field Wiring..... 32

 3.3.2 Remote Setpoint Startup 32

3.4 DIRECT DRIVE MODES..... 32

 3.4.1 Direct Drive Field Wiring..... 33

 3.4.2 Direct Drive Startup 33

3.5 AERCO CONTROL SYSTEM (ACS) 34

 3.5.1 ACS External Field Wiring..... 34

 3.5.2 ACS Setup and Startup..... 34

3.6 COMBINATION CONTROL SYSTEM (CCS) 35

 3.6.1 Combination Control System Field Wiring..... 36

 3.6.2 Combination Control System Setup and Startup..... 36

SECTION 4: MAINTENANCE 37

4.1 MAINTENANCE SCHEDULE 37

4.2 PILOT BURNER..... 38

4.3 MAIN FLAME DETECTOR 40

4.4 O₂ SENSOR 40

4.5 COMBUSTION CALIBRATION & PILOT REGULATOR ADJUSTMENT 43

CONTENTS

4.5.1 Pilot Regulator Pressure Testing.....43

4.5.2 Pilot Regulator Pressure Calibration.....44

4.6 SAFETY DEVICE TESTING 46

4.7 BURNER INSPECTION..... 47

4.8 REFRACTORY REMOVAL & REPLACEMENT 50

 4.8.1 Rear Refractory Removal and Replacement.....50

 4.8.2 Front Refractory Replacement53

4.9 CONDENSATE DRAIN TRAP 54

4.10 AIR FILTER CLEANING AND REPLACEMENT 55

4.11 LOW WATER CUTOFF (LWCO) CAPACITOR TEST..... 56

 4.11.1 Low Water Cutoff (LWCO) - Capacitor Electrical Short Test.....57

 4.11.2 Low Water Cutoff (LWCO) - Standard C-More Controller Test.....58

4.12 SHUTTING BOILER DOWN FOR EXTENDED PERIOD..... 58

4.13 PLACING THE BOILER BACK IN SERVICE AFTER A PROLONGED SHUTDOWN..... 58

4.14 GAS VALVE ACTUATOR REPLACEMENT 60

SECTION 5: TROUBLESHOOTING GUIDE61

5.1 INTRODUCTION..... 61

5.2 ADDITIONAL FAULTS WITHOUT SPECIFIC FAULT MESSAGES 74

APPENDIX A: BOILER MENU ITEM DESCRIPTIONS 79

TABLE A-1: OPERATING MENU ITEM DESCRIPTIONS 79

TABLE A-2: SETUP MENU ITEM DESCRIPTIONS..... 81

TABLE A-3: CONFIGURATION MENU ITEM DESCRIPTIONS 82

TABLE A-4: TUNING MENU ITEM DESCRIPTIONS..... 85

TABLE A-5: COMBUSTION CALIBRATION MENU ITEM DESCRIPTIONS 86

TABLE A-6: CALIBRATION MENU ITEM DESCRIPTIONS..... 87

APPENDIX B: STARTUP, STATUS & DISPLAY MESSAGES91

APPENDIX B1: STARTUP AND STATUS MESSAGES 91

APPENDIX B2: FAULT MESSAGES..... 92

APPENDIX C: SENSOR RESISTANCE/VOLTAGE CHART.....95

APPENDIX D: RECOMMENDED PERIODIC TESTING97

APPENDIX E: INDOOR/OUTDOOR RESET RATIO CHARTS99

APPENDIX F: PART LISTS AND DRAWINGS 103

APPENDIX G: WIRING DIAGRAMS 123

BMK 5000/6000 STANDARD FUEL MODEL WIRING DIAGRAMS..... 135

APPENDIX H: C-MORE CONTROLLER VIEWS 137

APPENDIX I: RECOMMENDED SPARES 139

APPENDIX J: LONG TERM STORAGE 141

APPENDIX J-1: LONG TERM BOILER STORAGE 141

APPENDIX J-2: LONG TERM BLOWER STORAGE 141

(This page intentionally blank)

FOREWORD

The AERCO Benchmark (BMK) 5000 MBH (1465 kW) and 6000 MBH (1758 kW) natural gas and dual fuel propane/natural gas fueled boilers are modulating and condensing units. They represent a true industry advance that meets the needs of today's energy and environmental concerns. Designed for application in any closed loop hydronic system, their modulating capability relates energy input directly to fluctuating system loads. The maximum turn down ratio for the BMK 5000 and 6000 is 15:1. These Benchmark models provide extremely high efficiency, which makes them ideally suited for modern low temperature, as well as conventional heating systems.

IMPORTANT!

Unless otherwise specified:

- All descriptions provided in this document apply to the Benchmark Series of boiler.
- All measurements apply to both natural gas and propane models, unless otherwise specified.

Benchmark 5000 and 6000 boilers operate within the following input and output ranges:

Benchmark 5000 & 6000 Boiler Intake and Output Ranges				
MODEL	INPUT RANGE (BTU/HR.)		OUTPUT RANGE (BTU/HR.)	
	MINIMUM	MAXIMUM	MINIMUM	MAXIMUM
5000	400,000 (117 kW)	5,000,000 (1465 kW)	348,000 (102 kW)	4,750,000 (1392 kW)
6000	400,000 (117 kW)	6,000,000 (1758 kW)	348,000 (102 kW)	5,700,000 (1670 kW)

The output of the boiler is a function of the unit's firing rate (valve position) and return water temperature.

When installed and operated in accordance with this Instruction Manual, these boilers comply with the NOx emission standards outlined in: **South Coast Air Quality Management District (SCAQMD), Rule 1146.2**

Whether used in singular or modular arrangements, the BMK 1500 and BMK 2000 boilers offer the maximum venting flexibility with minimum installation space requirements. These boilers are Category II and IV, positive pressure appliances. Single and/or multiple breached units are capable of operation in the following vent configurations:

- **Room Combustion Air:**
 - Vertical Discharge
 - Horizontal Discharge
- **Ducted Combustion Air:**
 - Vertical Discharge
 - Horizontal Discharge

These boilers are capable of being vented utilizing Polypropylene and AL29-4C vent systems.

The Benchmark's advanced electronics are available in several selectable modes of operation offering the most efficient operating methods and energy management system integration.

AERCO Technical Terminology	
TERMINOLOGY	MEANING
A (Amp)	Ampere
ACS	AERCO Control System, AERCO's boiler management systems
ADDR	Address
AGND	Analog Ground
ALRM	Alarm
ANSI	American National Standards Institute,
ASME	American Society of Mechanical Engineers
AUX	Auxiliary
BAS	Building Automation System, often used interchangeably with EMS (see below)
Baud Rate	Symbol rate, or simply the number of distinct symbol changes (signaling events) transmitted per second. It is not equal to bits per second, unless each symbol is 1 bit long.
BMK (Benchmark)	AERCO's Benchmark series boilers
BMS or BMS II	AERCO Boiler Management Systems
BLDG (Bldg)	Building
BST	AERCO on-board Boiler Sequencing Technology
BTU	British Thermal Unit. A unit of energy approximately equal to the heat required to raise 1 pound (0.45 kg) of water 1°F (0.55 °C)
BTU/HR	BTUs per Hour (1 BTU/hr = 0.29 W)
CCP	Combination Control Panel
CCS	Combination Control System
C-More Controller	A control system developed by AERCO and currently used in all Benchmark, Innovation and KC1000 Series product lines.
CFH	Cubic Feet per Hour (1 CFH = 0.028 m ³ /hr)
CO	Carbon Monoxide
COMM (Comm)	Communication
Cal.	Calibration
CNTL	Control
CPU	Central Processing Unit
DBB	Double Block and Bleed, a gas trains containing 2 Safety Shutoff Valves (SSOVs) and a solenoid operated vent valve.
DIP	Dual In-Line Package, a type of switch
ECU	Electronic Control Unit (O ₂ sensor)
EMS	Energy Management System; often used interchangeably with BAS
FM	Factory Mutual. Used to define boiler gas trains.
GF-xxxx	Gas Fired (an AERCO document numbering system)
GND	Ground
HDR	Header
Hex	Hexadecimal Number (0 – 9, A – F)

AERCO Technical Terminology	
TERMINOLOGY	MEANING
HP	Horse Power
HX	Heat Exchanger
Hz	Hertz (Cycles Per Second)
I.D.	Inside Diameter
IGN	Ignition
IGST Board	Ignition/Stepper Board, contained in C-More Controller
INTLK (INTL'K)	Interlock
I/O	Input/Output
I/O Box	Input/Output (I/O) Box currently used on Benchmark, Innovation and KC1000 Series products
IP	Internet Protocol
ISO	International Organization for Standardization
Lbs.	Pounds (1 lb = 0.45 kg)
LED	Light Emitting Diode
LN	Low Nitrogen Oxide
MA (mA)	Milliampere (1 thousand th of an ampere)
MAX (Max)	Maximum
MBH	1000 BTUs per Hour
MIN (Min)	Minimum
Modbus®	A serial, half-duplex data transmission protocol developed by AEG Modicon
NC (N.C.)	Normally Closed
NO (N.O.)	Normally Open
NOx	Nitrogen Oxide
NPT	National Pipe Thread
O ₂	Oxygen
O.D.	Outside Diameter
OMM & O&M	Operation and Maintenance Manual
onAER	AERCO's on-line remote monitoring system
PCB	Printed Circuit Board
PMC Board	Primary Micro-Controller (PMC) board, contained in the C-More
P/N	Part Number
POC	Proof of Closure
PPM	Parts per Million
PSI	Pounds per Square Inch (1 PSI = 6.89 kPa)
PTP	Point-to-Point (usually over RS232 networks)
P&T	Pressure and Temperature
ProtoNode	Hardware interface between BAS and a boiler or water heater
PVC	Poly Vinyl Chloride, a common synthetic plastic
PWM	Pulse Width Modulation
REF (Ref)	Reference

AERCO Technical Terminology	
TERMINOLOGY	MEANING
RES.	Resistive
RS232 (or EIA-232)	A standard for serial, full-duplex (FDX) transmission of data based on the RS232 Standard
RS422 (or EIA-422)	A standard for serial, full-duplex (FDX) transmission of data based on the RS422 Standard
RS485 (or EIA-485)	A standard for serial, half-duplex (HDX) transmission of data based on the RS485 Standard
RTN (Rtn)	Return
SETPT (Setpt)	Setpoint Temperature
SHLD (Shld)	Shield
SPDT	Single Pole Double Throw, a type of switch
SSOV	Safety Shut Off Valve
TEMP (Temp)	Temperature
Terminating Resistor	A resistor placed at each end of a daisy-chain or multi-drop network in order to prevent reflections that may cause invalid data in the communication
Tip-N-Tell	A device that indicates if a package was tipped during shipping
UL	A business that tests and validates products
VAC	Volts, Alternating Current
VDC	Volts, Direct Current
VFD	Vacuum Fluorescent Display, also Variable Frequency Drive
W	Watt
W.C.	Water Column, a unit of pressure (1 W.C. = 249 Pa)
µA	Micro amp (1 million th of an ampere)

SECTION 1: SAFETY PRECAUTIONS

1.1 WARNINGS & CAUTIONS

Installers and operating personnel **MUST**, at all times, observe all safety regulations. The following warnings and cautions are general and must be given the same attention as specific precautions included in these instructions. In addition to all the requirements included in this AERCO Instruction Manual, the installation of units **MUST** conform with local building codes, or, in the absence of local codes, ANSI Z223.1 (National Fuel Gas Code Publication No. NFPA-54) for gas-fired boilers and ANSI/NFPA58 for LP gas-fired boilers. Where applicable, the equipment shall be installed in accordance with the current Installation Code for Gas Burning Appliances and Equipment, CSA B149.1, and applicable Provincial regulations for the class; which should be carefully followed in all cases. Authorities having jurisdiction should be consulted before installations are made.

See Section 1.4, below, for important information regarding installation of units within the Commonwealth of Massachusetts.

IMPORTANT!

This manual is an integral part of the product and must be maintained in legible condition. It must be given to the user by the installer and kept in a safe place for future reference.

WARNING!

- Do not use matches, candles, flames, or other sources of ignition to check for gas leaks.
- Fluids under pressure may cause injury to personnel or damage to equipment when released. Be sure to shut off all incoming and outgoing water shutoff valves. Carefully decrease all trapped pressures to zero before performing maintenance.
- Before attempting to perform any maintenance on the unit, shut off all gas and electrical inputs to the unit.
- The exhaust vent pipe of the unit may operate under a positive pressure and therefore must be completely sealed to prevent leakage of combustion products into living spaces.
- Electrical voltages of **120, 208, 460** or **575** and **24** VAC may be used in this equipment. Therefore the cover on the unit's power box (located behind the front panel door) must be installed at all times, except during maintenance and servicing.
- A three-pole switch must be installed on the electrical supply line of the unit. The switch must be installed in an easily accessible position to quickly and safely disconnect electrical service. Do not affix switch to unit sheet metal enclosures.

CAUTION!

- Many soaps used for gas pipe leak testing are corrosive to metals. The piping must be rinsed thoroughly with clean water after leak checks have been completed.
- **DO NOT** use this boiler if any part has been under water. Call a qualified service technician to inspect and replace any part that has been under water.

1.2 EMERGENCY SHUTDOWN

If overheating occurs or the gas supply fails to shut off, close the manual gas shutoff valve (Figure 1-1) located external to the unit.

NOTE: The Installer must identify and indicate the location of the emergency shutdown manual gas valve to operating personnel.



Figure 1-1: Manual Gas Shutoff Valve

In addition, to ensure safety an emergency shutdown procedure that addresses the following points should be designed and implement at the site:

- For automatically operated unattended boilers located in a boiler room, provide a manually operated remote shutdown switch or circuit breaker located just inside or outside each boiler room door. Design the system so activation of the emergency shutdown switch or circuit breaker will immediately shut off the fuel supply to the unit(s).
- For automatically operated unattended boilers in a location other than a boiler room, provide a manually operated remote shutdown switch or circuit breaker marked for easy identification at a location readily accessible in the event of boiler mis-operation.
- Design the system so activation of the emergency shutdown switch or circuit breaker will immediately shut off the fuel.
- For boilers monitored and/or operated from a continuously occupied control room, provide an emergency shutdown switch in the control room that is hard-wired to immediately shut off the fuel upon activation.

1.3 PROLONGED SHUTDOWN

If there is an emergency, turn off the electrical power supply to the boiler and close the manual gas valve located upstream the unit. The installer must identify the emergency shut-off device.

If the boiler needs to be shut down for a prolonged period, follow the instructions in Section 4.12: *Shutting Boiler Down For Extended Period* of this manual, and review the procedures in Appendix J at the end of this manual.

After prolonged shutdown, it is recommended that the procedures in Section 4: *Initial Startup* and Section 5: *Safety Device Testing* of the *Benchmark 5000 – 6000 Installation and Startup Guide, OMM-0123 (GF-207)* be performed to verify that all system-operating parameters are correct.

1.4 IMPORTANT – FOR MASSACHUSETTS INSTALLATIONS**REQUIREMENTS FOR MASSACHUSETTS INSTALLATIONS**

1. Boiler Installations within the Commonwealth of Massachusetts must conform to the following requirements:

- Boiler must be installed by a plumber or a gas fitter who is licensed within the Commonwealth of Massachusetts.
- Prior to unit operation, the complete gas train and all connections must be leak tested using a non-corrosive soap.
- The vent termination must be located a minimum of 4 feet above grade level. If side-wall venting is used, the installation must conform to the following requirements **extracted from 248 CMR 5.08 (2)**:

(a) For all side wall horizontally vented gas fueled equipment installed in every dwelling, building or structure used in whole or in part for residential purposes, including those owned or operated by the Commonwealth and where the side wall exhaust vent termination is less than seven (7) feet above finished grade in the area of the venting, including but not limited to decks and porches, the following requirements shall be satisfied:

1. INSTALLATION OF CARBON MONOXIDE DETECTORS: At the time of installation of the side wall horizontal vented gas fueled equipment, the installing plumber or gasfitter shall observe that a hard wired carbon monoxide detector with an alarm and battery back-up is installed on the floor level where the gas equipment is to be installed. In addition, the installing plumber or gasfitter shall observe that a battery operated or hard wired carbon monoxide detector with an alarm is installed on each additional level of the dwelling, building or structure served by the side wall horizontal vented gas fueled equipment. It shall be the responsibility of the property owner to secure the services of qualified licensed professionals for the installation of hard wired carbon monoxide detectors.

a. In the event that the side wall horizontally vented gas fueled equipment is installed in a crawl space or an attic, the hard wired carbon monoxide detector with alarm and battery back-up may be installed on the next adjacent floor level.

b. In the event that the requirements of this subdivision can not be met at the time of completion of installation, the owner shall have a period of thirty (30) days to comply with the above requirements; provided, however, that during said thirty (30) day period, a battery operated carbon monoxide detector with an alarm shall be installed.

2. APPROVED CARBON MONOXIDE DETECTORS: Each carbon monoxide detector as required in accordance with the above provisions shall comply with NFPA 720 and be ANSI/UL 2034 listed and IAS certified.

3. SIGNAGE: A metal or plastic identification plate shall be permanently mounted to the exterior of the building at a minimum height of eight (8) feet above grade directly in line with the exhaust vent terminal for the horizontally vented gas fueled heating appliance or equipment. The sign shall read, in print size no less than one-half (1/2) inch in size, "**GAS VENT DIRECTLY BELOW. KEEP CLEAR OF ALL OBSTRUCTIONS**". (Continued)

REQUIREMENTS FOR MASSACHUSETTS INSTALLATIONS

4. INSPECTION: The state or local gas inspector of the side wall horizontally vented gas fueled equipment shall not approve the installation unless, upon inspection, the inspector observes carbon monoxide detectors and signage installed in accordance with the provisions of 248 CMR 5.08(2)(a)1 through 4.

(b) **EXEMPTIONS:** The following equipment is exempt from 248 CMR 5.08(2)(a)1 through 4:

1. The equipment listed in Section 10 entitled "Equipment Not Required To Be Vented" in the most current edition of NFPA 54 as adopted by the Board; and
2. Product Approved side wall horizontally vented gas fueled equipment installed in a room or structure separate from the dwelling, building or structure used in whole or in part for residential purposes.

(c) **MANUFACTURER REQUIREMENTS - GAS EQUIPMENT VENTING SYSTEM PROVIDED.** When the manufacturer of Product Approved side wall horizontally vented gas equipment provides a venting system design or venting system components with the equipment, the instructions provided by the manufacturer for installation of the equipment and the venting system shall include:

1. Detailed instructions for the installation of the venting system design or the venting system components; and
2. A complete parts list for the venting system design or venting system.

(d) **MANUFACTURER REQUIREMENTS - GAS EQUIPMENT VENTING SYSTEM NOT PROVIDED.** When the manufacturer of a Product Approved side wall horizontally vented gas fueled equipment does not provide the parts for venting the flue gases, but identifies "special venting systems", the following requirements shall be satisfied by the manufacturer:

1. The referenced "special venting system" instructions shall be included with the appliance or equipment installation instructions; and
2. The "special venting systems" shall be Product Approved by the Board, and the instructions for that system shall include a parts list and detailed installation instructions.

(e) A copy of all installation instructions for all Product Approved side wall horizontally vented gas fueled equipment, all venting instructions, all parts lists for venting instructions, and/or all venting design instructions shall remain with the appliance or equipment at the completion of the installation.

.....[End of Extracted Information From 248 CMR 5.08 (2)].....

SECTION 2: OPERATION

2.1 INTRODUCTION

The information in this section provides a guide to the operation of the Benchmark Boiler using the C-More Controller mounted on the front of the unit. It is imperative that the initial startup of this unit be performed by factory trained personnel. Operation prior to initial startup by factory trained personnel may void the equipment warranty. In addition, the following WARNINGS and CAUTIONS must be observed at all times.

WARNING!

- ELECTRICAL VOLTAGES IN THIS SYSTEM INCLUDE **120, 208, 460, 575 AND 24 VOLTS AC**. IT MUST BE SERVICED ONLY BY FACTORY CERTIFIED SERVICE TECHNICIANS.
- **DO NOT ATTEMPT TO DRY FIRE THE UNIT.** STARTING THE UNIT WITHOUT A FULL WATER LEVEL CAN SERIOUSLY DAMAGE THE UNIT AND MAY RESULT IN INJURY TO PERSONNEL OR PROPERTY DAMAGE. THIS SITUATION WILL VOID ANY WARRANTY.

CAUTION!

All of the installation procedures in Section 2 of the *Benchmark 5000 – 6000 Installation and Startup Guide, OMM-0123 (GF-207)* must have been completed before attempting to start the unit.

2.2 C-MORE CONTROLLER DESCRIPTION

All Benchmark boilers utilize the C-More Controller's front panel, shown in Figure 2-1. This panel contains all of the controls, indicators and displays necessary to operate, adjust and troubleshoot the boiler. These operating controls, indicators and displays are listed and described in Table 2-1. Additional information on these items is provided in the individual operating procedures and menu descriptions provided in this section.

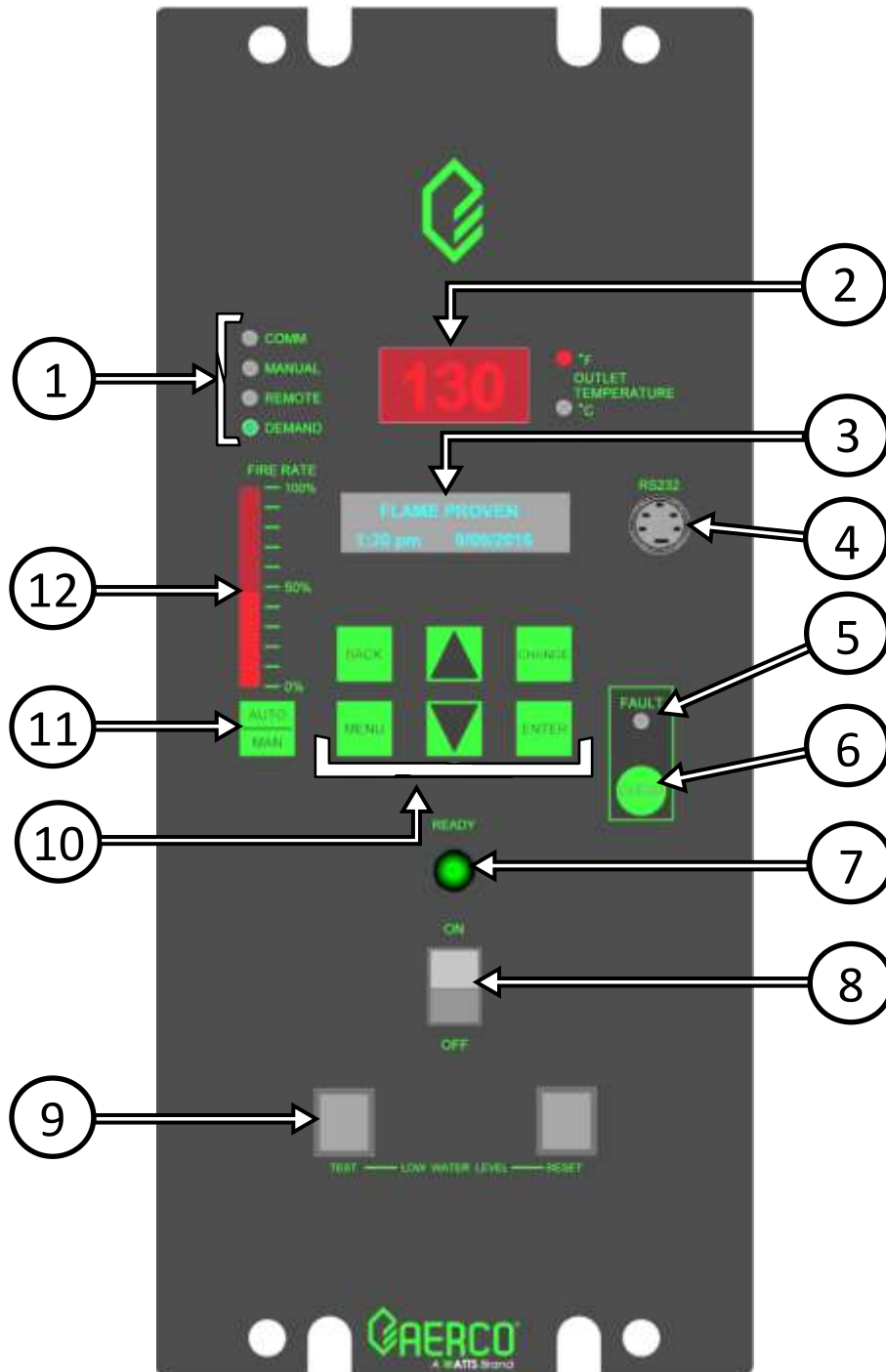


Figure 2-1: C-More Controller Front View

TABLE 2-1: Controls, Indicators, and Displays (ref. Figure 2-1)

ITEM	CONTROL, INDICATOR or DISPLAY	FUNCTION
LED STATUS INDICATORS		
Four Status LEDs indicate the current operating status as follows:		
1	COMM =	Lights when RS232 communication is occurring – see Item 4.
	MANUAL =	Lights when the valve position (fire rate) is being controlled using the front panel keypad. This mode of operation is for service technician use only.
	REMOTE =	Lights when the unit is being controlled by an external signal from an Energy Management System.
	DEMAND =	Lights when there is a demand for heat.
2	OUTLET TEMPERATURE Display	3-Digit, 7-Segment LED display continuously displays the outlet water temperature. The °F or °C LED next to the display lights to indicate whether the displayed temperature is in degrees Fahrenheit or degrees Celsius. The °F or °C blinks when operating in the DEADBAND mode. On a BST Manager, display flashes & shows header temperature.
3	VFD Display	Vacuum Fluorescent Display (VFD) consists of 2 lines each capable of displaying up to 16 alphanumeric characters. The information displayed includes: <ul style="list-style-type: none"> • Startup Messages • Fault Messages • Operating Status Messages • Menu Selection • BST Messages
4	RS232 Port	This port is used only by factory-trained personnel to monitor onAER communications, in combination with the RS232 Adaptor Cable (P/N 124675).
5	FAULT Indicator	Red FAULT LED indicator lights when a boiler alarm condition occurs. An alarm message will appear in the VFD.
6	CLEAR Key	Turns off the FAULT indicator and clears the alarm message if the alarm is no longer valid. Lockout type alarms will be latched and cannot be cleared by simply pressing this key. Troubleshooting may be required to clear these types of alarms.
7	READY Indicator	Lights when ON/OFF switch is set to ON and when all Pre-Purge conditions have been satisfied.
8	ON/OFF switch	Enables and disables boiler operation.
9	LOW WATER LEVEL TEST/RESET switches	<ul style="list-style-type: none"> • Allows operator to test operation of the water level monitor. • Pressing TEST opens the water level probe circuit and simulates a Low Water Level alarm. • Pressing RESET resets the water level monitor circuit. • Pressing the CLEAR key (item 6) resets the display.

TABLE 2-1: Controls, Indicators, and Displays (ref. Figure 2-1)		
ITEM	CONTROL, INDICATOR or DISPLAY	FUNCTION
10	MENU KEYPAD	
	Six (6) keys which provide the following functions for the C-More Controller menus:	
	MENU	Steps through the main menu categories, shown in Figure 2-2, below. The menu categories wrap around in the order shown.
	BACK	Allows you to go back to the previous menu level without changing any information. Continuously pressing this key will bring you back to the default status display in the VFD. Also, this key allows you to go back to the top of a main menu category.
	▲ (UP) Arrow	When in one of the main menu categories (Figure 2-2), pressing the ▲ arrow key will select the displayed menu category. If the CHANGE key was pressed and the menu item is flashing, pressing the ▲ arrow key will increment the selected setting.
	▼ (DOWN) Arrow	When in one of the main menu categories (Figure 2-2), pressing this key will select the displayed menu category. If the CHANGE key was pressed and the menu item is flashing, pressing the ▼ arrow key will decrement the selected setting.
	CHANGE	Permits a setting to be changed (edited). When the CHANGE key is pressed, the displayed menu item will begin to flash. Pressing the ▲ or ▼ arrow key when the item is flashing will increment or decrement the displayed setting.
ENTER	Saves the modified menu settings in memory. The display will stop flashing.	
11	AUTO/MAN switch	This switch toggles the boiler between the AUTOMATIC and MANUAL modes of operation. When in the MANUAL (MAN) mode, the front panel controls are enabled and the MANUAL status LED lights. Manual operation is for service only. When in the AUTOMATIC (AUTO) mode, the MANUAL status LED will be off and the front panel controls disabled.
12	VALVE POSITION Bargraph	20 segment red LED bargraph continuously shows the Air/Fuel Valve position in 5% increments from 0 to 100%

2.3 C-MORE CONTROLLER MENUS

The C-More Controller incorporates an extensive menu structure which permits the operator to set up, and configure the unit. The menu structure consists of five major menu categories which are applicable to this manual. These categories are shown in Figure 2-2, below. Each of the menus shown, contain options which permit operating parameters to be viewed or changed. The menus are protected by password levels to prevent unauthorized use.

Prior to entering the correct password, the options contained in the *Operation*, *Setup*, *Configuration* and *Tuning* menu categories can be viewed. However, with the exception of Internal Setpoint Temperature (*Configuration* menu), none of the viewable menu options can be changed.

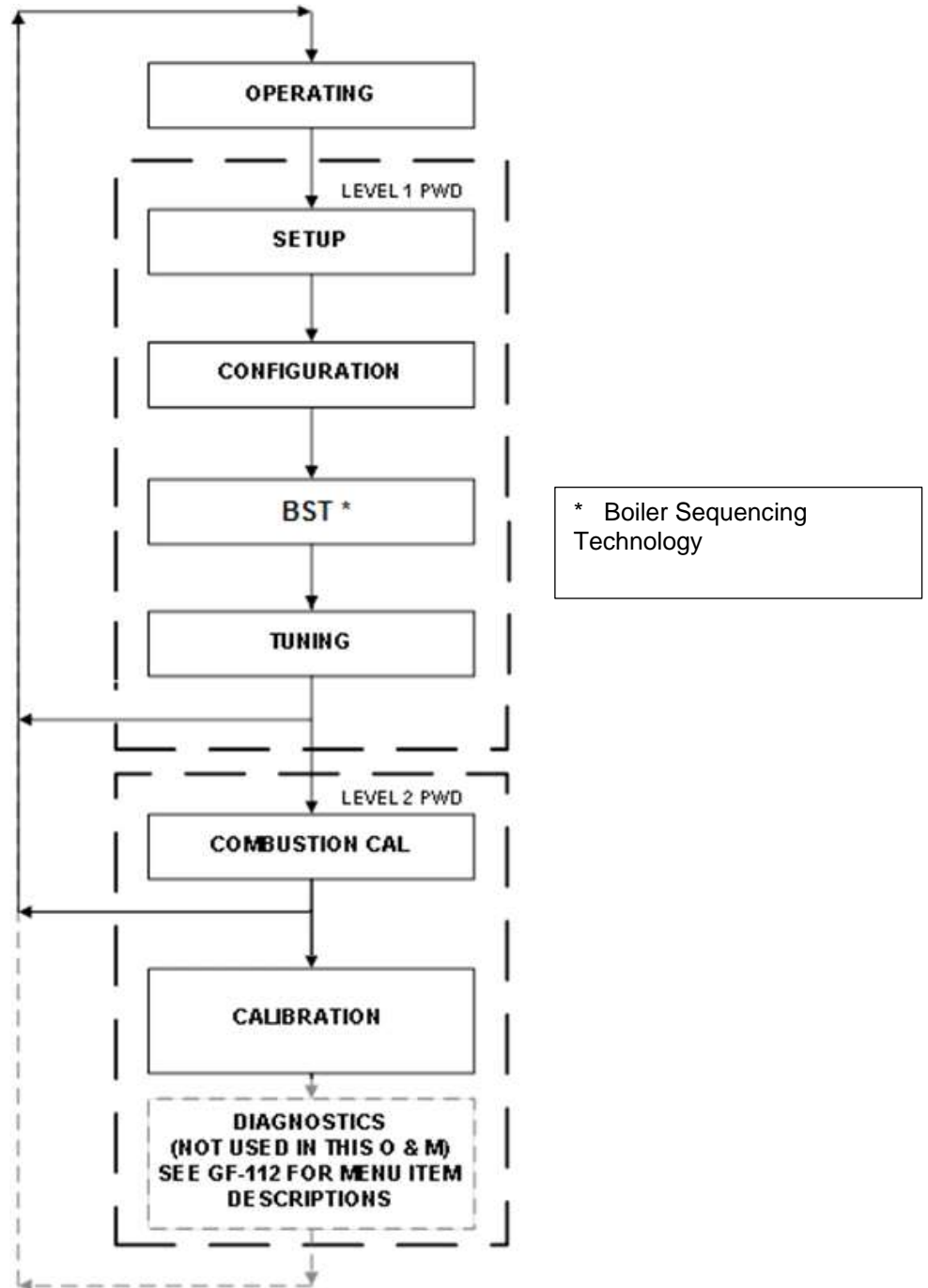
Once the valid **level 1 password (159)** is entered, the options listed in the *Setup*, *Configuration* and *Tuning* menus can be viewed and changed, if desired. The *Combustion Cal* menu is protected by the **level 2 password (6817)**; its settings are used to perform combustion calibration prior to service use (see Section 4.5 in *Benchmark 5000 – 6000 Installation and Startup Guide, OMM-0123 (GF-207)*).

2.3.1 Menu Navigation and Processing Procedure

Accessing and initiating each menu and option is accomplished using the menu keys shown in Figure 2-1. Therefore, it is imperative that you be thoroughly familiar with the following basic steps before attempting to perform specific menu procedures:

Menu Navigation And Processing Procedure Instructions

1. The C-More Controller will normally be in the *Operating* menu and the VFD will display the current unit status. Pressing the ▲ or ▼ arrow key will display the other available data items in the *Operating* menu.
2. Press the **MENU** key. The display will show the *Setup* menu, which is the next menu category shown in Figure 2-2. This menu contains the Password option which must be entered if other menu options will be changed.
3. Continue pressing the **MENU** key until the desired menu is displayed.
4. With the desired menu displayed, press the ▲ or ▼ arrow key. The first option in the selected menu will be displayed.
5. Continue to press the ▲ or ▼ arrow key until the desired menu option is displayed. Pressing the ▲ arrow key will display the available menu options in the Top-Down sequence. Pressing the ▼ arrow key will display the options in the Bottom-Up sequence. The menu options will wrap-around after the first or last available option is reached.
6. To change the value or setting of a displayed menu option, press the **CHANGE** key. The displayed option will begin to flash. Press the ▲ or ▼ arrow key to scroll through the available menu option choices for the option to be changed. The menu option choices do not wrap around.
7. To select and store a changed menu item, press the **ENTER** key.



* Boiler Sequencing Technology

* Boiler Sequencing Technology (BST) appears only if enabled. See Section 6 in the *Benchmark 5000 – 6000 Installation and Startup Guide, OMM-0123 (GF-207)* for instructions.

Figure 2-2: Menu Structure

NOTE: The following sections provide brief descriptions of the options contained in each menu. Refer to Appendix A in this guide for detailed descriptions of each menu option. Refer to Appendix B for listings and descriptions of displayed startup, status and error messages.

2.4 OPERATING Menu

The *Operating* menu displays a number of key operating parameters for the unit. All items in this menu except *O2 Monitor* (item 15) are “Read-Only” and cannot be changed. This menu can be accessed without entering a password.

A full description of each item appears in Appendix A-1.

MENU ITEM DISPLAY		AVAILABLE CHOICES OR LIMITS		Appears Only If Enabled in:
		Minimum	Maximum	
1	Active Setpoint	40°F (4.4°C)	240°F (116°C)	
2	Outlet Temp	30°F (-1.1°C)	240°F (116°C)	Configuration Menu
3	Inlet Temp	30°F (-1.1°C)	240°F (116°C)	
4	Air Temp	-70°F (-56.7°C)	245°F (118°C)	
5	Outdoor Temp	-70°F (-56.7°C)	130°F (54.4°C)	Configuration Menu
6	Valve Position In	0%	100%	
7	Valve Position Out	0%	100%	Configuration Menu
8	FFWD Temp	30°F (-1.1°C)	240°F (115.6°C)	
9	Exhaust Temp	Displays current exhaust temperature		
10	Flame Strength	0%	100%	
11	Min Flame Str	Not Used		
12	O2 Monitor	Enable	Disable	
13	Oxygen Level	0%	21%	O2 Monitor = Enabled
14	Ignition Time	0.00	10.00	
15	SSOV Time to OPN	0.00	10.00	
16	Air Pump Voltage	0.20 V	1.2 V	
17	Run Cycles	0	999,999,999	
18	Run Hours	0	999,999,999	
19	Fault Log	0	19	
20	Manual Valve Pos *	0	100	

*** NOTE**

Manual Valve Pos does not appear in this menu unless you push the **Auto/Man** button on the C-More Controller’s front face.

2.5 SETUP Menu

The *Setup* menu (Table 2-3) permits the operator to enter the unit password (159) which is required to change the menu options. To prevent unauthorized use, the password will time-out after 1 hour. Therefore, the correct password must be reentered when required. In addition to permitting password entries, the *Setup* menu is also used to enter date and time, and units of temperature measurements. A view-only software version display is also provided to indicate the current C-More Controller software version.

TABLE 2-3: SETUP Menu				
MENU ITEM DISPLAY		AVAILABLE CHOICES OR LIMITS		DEFAULT
		Minimum	Maximum	
1	Password	0	9999	0
2	Language	English		English
3	Time	12:00 am	11:59 pm	
4	Date	01/01/00	12/31/99	
5	Unit of Temp	Fahrenheit or Celsius		Fahrenheit
6	Comm Address	0	127	0
7	Baud Rate	2400, 4800, 9600, 19.2K		9600
8	onAER Mode	Ethernet or SD Card		Ethernet
9	Min Upload Timer	0	9,999 Sec	0
10	Unit Alpha	E, G, H, R, N or A		A
11	Unit Year	0	99	0
12	Unit Serial #	0	9999	0
13	Software	Ver 0.00	Ver 9.99	Current software version

2.6 CONFIGURATION Menu

The *Configuration* menu shown in Table 2-4 permits adjustment of the Internal Setpoint (Setpt) temperature regardless of whether the valid password has been entered. Setpt is required for operation in the CONSTANT SETPOINT mode. The remaining options in this menu require the valid password to be entered, prior to changing existing entries. This menu contains a number of other configuration settings which may or may not be displayed, depending on the current operating mode setting.

NOTE: The *Configuration* menu settings shown in Table 2-4 are Factory-Set in accordance with the requirements specified for each individual order. Therefore, under normal operating conditions, no changes will be required.

TABLE 2-4: CONFIGURATION Menu

MENU ITEM DISPLAY		AVAILABLE CHOICES OR LIMITS		DEFAULT
		Minimum	Maximum	
1	Internal Setpt	40°F (4.4°C)	240°F (115.6°C)	130°F (54.4°C)
2	Unit Type	BMK Blr Std, BMK Blr Std Dual, BMK Blr LN, BMK Blr LN Dual		BMK Boiler LN
3	Unit Size (Only the unit sizes available for the Unit Type are displayed)	5000 MBH (1465 kW) 6000 MBH (1758 kW)		5000 MBH (1465 kW) 6000 MBH (1758 kW)
4	Fuel Type	Natural Gas or Propane		Natural Gas in standard and dual fuel models, Propane in propane only models
5	Boiler Mode	Constant Setpoint, Remote Setpoint, Direct Drive, Combination, Outdoor Reset		Constant Setpoint
6	Remote Signal (If Mode = Remote Setpoint, Direct Drive or Combination)	4 – 20 mA/1 – 5V 0 -20 mA/0 – 5V PWM Input (Legacy BMS), Network		4 – 20 mA, 1-5V
7	Outdoor Sensor	Enabled or Disabled		Disabled
8	* Bldg Ref Temp (If Mode = Outdoor Reset)	40°F (4.4°C)	230°F (110°C)	70°F (21.1°C)
9	* Reset Ratio (If Mode = Outdoor Reset)	0.1	9.9	1.2
10	* System Start Tmp (If Outdoor Sensor = Enabled)	30°F (-1.1°C)	100°F (37.8°C)	60°F (15.6°C)
11	Setpt Lo Limit	40°F (4.4°C)	Setpt Hi Limit	60°F (15.6°C)
12	Setpt Hi Limit	Setpt Lo Limit	210°F (98.9°C)	180°F (82.2°C)

TABLE 2-4: CONFIGURATION Menu				
MENU ITEM DISPLAY		AVAILABLE CHOICES OR LIMITS		DEFAULT
		Minimum	Maximum	
13	Temp Hi Limit	40°F (4.4°C)	210°F (98.9°C)	195°F (90.6°C)
14	Max Valve Position	40%	100%	100%
15	Pump Delay Timer	0 min.	30 min.	0 min.
16	Aux Start On Dly	0 sec.	120 sec.	0 sec.
17	Failsafe Mode	Shutdown or Constant Setpt		Constant Setpt
18	Analog Output	Off, Setpoint, Outlet Temp, Valve Pos 4-20mA, valve Pos 0-10v		Valve Pos 0-10v (Do NOT change)
19	Low Fire Timer	2 sec.	600 sec.	2 sec.
20	Setpt Limiting	Enabled or Disabled		Disabled
21	Setpt Limit Band	0°F (0°C)	10°F (5.5°C)	5°F (2.75°C)
22	Network Timeout	5 sec.	999 sec.	30 sec.
23	Shutoff Dly Temp	0°F (0°C)	25°F (13.75°C)	10°F (5.5°C)
24	Demand Offset	0°F (0°C)	25°F (13.75°C)	10°F (5.5°C)
25	Deadband High	0°F (0°C)	25°F (13.75°C)	5°F (2.75°C)
26	Deadband Low	0°F (0°C)	25°F (13.75°C)	5°F (2.75°C)
27	IGST Version	Displays current IGST version		V2.02
28	IGN Time Setting	Displays 4 sec. or 7 sec. depending on wiring harness installed		
29	Slow Shutdown	Enabled or Disabled		Disabled
30	Slow Sht Duration	0 sec.	9,999 sec.	60 sec.
31	Slow Sht Threshold	40%	100%	60%
32	O2 Warnings	Enabled or Disabled		Disabled
33	O2 Trim ID	Displays 4 digit AERtrim ID		
34	Fixed ID	Displays unit's fixed 4 digit ID		
35	O2 Trim Key	Displays AERtrim 4 digit license key		
36	O2 Trim Menu	Enabled or Disabled		Disabled
37	BST Menu	Enabled or Disabled		Disabled

***NOTE**

The *Bldg Ref Temp* and *Reset Ratio* menu Items are only displayed when the *Outdoor Sensor* menu item is set to **Enabled**.

CAUTION!

DO NOT change the *Analog Output* menu item from its default setting (Valve Position 0-10V).

2.7 TUNING Menu

The *Tuning* menu items in Table 2-5 are Factory set for each individual unit. Do not change these menu entries unless specifically requested to do so by factory-trained personnel.

TABLE 2-5: TUNING Menu				
MENU ITEM DISPLAY		AVAILABLE CHOICES OR LIMITS		DEFAULT
		Minimum	Maximum	
1	Prop Band	1°F (0.55°C)	120°F (66°C)	70°F (38.5°C)
2	Integral Gain	0.00	2.00	1.00
3	Derivative Time	0.0 min	2.00 min	0.0min
4	Warmup Prop Band	1°F (0.55°C)	120°F (66°C)	95 °F (52°C)
5	Warmup Int Gain	0.00	2.00	0.50
6	Warmup PID timer	0 sec.	240 sec.	20 sec.
7	Reset Defaults?	Yes, No, Are You Sure?		No

2.8 COMBUSTION CAL Menu

The *Combustion Cal* (Calibration) menu is protected by the level 2 password (**6817**) which must be entered to view or change the menu items shown in Table 2-6. These menu items are used to vary the speed of the unit’s blower motor based on air temperature and air density at prescribed Air/Fuel Valve positions (% open). This is accomplished by providing a DC drive voltage to the motor which then adjusts the rotational speed of the blower to maximize combustion efficiency and ensure the unit conforms to the Nitrogen Oxide (NOx) and Carbon Monoxide (CO) emissions specified in Section 4.5: *Combustion Calibration* of the *Benchmark 5000 – 6000 Installation and Startup Guide, OMM-0123 (GF-207)*. The valve positions (%) and default drive voltages are listed in Table 2-6.

TABLE 2-6: COMBUSTION CAL Menu							
MENU ITEM DISPLAY		BENCHMARK 6000 *			BENCHMARK 5000 *		
		Minimum	Maximum	Default	Minimum	Maximum	Default
1	CAL Voltage 18%	1.70	2.70	2.20	1.9	2.5	2.05
2	CAL Voltage 30%	1.90	2.50	2.00	3.0	5.0	3.80
3	CAL Voltage 40%	1.90	3.40	2.25	3.8	5.5	4.50
4	CAL Voltage 50%	2.20	3.50	2.70	3.8	5.3	4.30
5	CAL Voltage 70%	3.20	4.40	3.95	4.0	6.0	4.80
6	CAL Voltage 100%	7.20	10.00	8.00	6.7	9.0	7.70
7	SET Valve Position	0%	100%	Variable	0%	100%	Variable
8	Blower Output	Monitor Blower Output Voltage					
9	Set Stdby Volt	0	4.00 V	0/2.00 V	0	4.00 V	0/2.00 V
10	Oxygen Level	0%	25%	Variable	0%	25%	Variable

2.9 BST (Boiler Sequencing Technology) Menu

The *BST* menu must be enabled in order to be displayed and accessed. The **BST Menu** item, located at the end of the *Configuration* menu (item 37 in Table 2-4), must be set to **Enabled**.

The *BST* menu contains all of the items required to configure, operate and monitor the functionality of the BST System. There are over 50 items in this menu, and selecting any particular item from the list, for inspection or modification, could be time consuming. As a result, the *BST* menu has been segmented into FIVE logical groups based on functionality.

The five Item groups are:

1. **BST Monitor Items**
2. ***BST SETUP MENU***
3. ***OPERATE MENU***
4. ***TEMP CTRL MENU***
5. ***BST COMM MENU***

These displayed item groups are displayed in UPPER CASE letters, and are bounded by an asterisk * in order to readily identify them within the item list.

The Items contained in group 1 (BST Monitor Items) are *always* displayed within the menu, as these items are critical for proper system operation. Therefore, the BST Monitor Items Header itself is *not* displayed.

The Items contained in groups 2-5 are *not displayed* unless that particular item group has been enabled from the C-More Controller's keypad.

TABLE 2-7: BST Menu					
MENU ITEM DISPLAY		AVAILABLE CHOICES OR LIMITS			DEFAULT
		Minimum		Maximum	
1	BST Mode	Off	BST Client	BST Manager	Off
2	BST Setpoint	BST Setpt Lo Limit		BST Setpt Hi Limit	130°F (54.4°C)
3	Header Temp	Read Only – current Header temperature in °F			N/A
4	BST Fire Rate	0		100%	Fire rate %
5	BST Ave Fire Rate	0		100%	Avg Fire Rate %
6	BST Outdoor Temp	Read Only – current outdoor temperature in °F			N/A
7	Units Available	0		8	Units Present
8	Units Ignited	0		8	Units firing
9	BST Valve State	0 (CLOSED)		1 (OPEN)	0
10	1 BST Comm Errors 8	0		9	0
11	1 BST Units 8	0 – 8 (see * NOTE below)			0
12	*BST SETUP MENU*	Disabled		Enabled	Disabled
13	BST Setpoint Mode	Constant Setpoint	Remote Setpoint	Outdoor Reset	Constant Setpt
14	BST Remote Signl	4-20 mA/1-5 VDC	0-20 mA/0-5 VDC	Network	Network
15	Head Temp Source	Network		FFWD Temp	FFWD Temp
16	Mdbus Temp Units	Degrees C or Degrees F			Degrees C
17	Header Temp Addr	0		255	240

SECTION 2: OPERATION

TABLE 2-7: BST Menu					
MENU ITEM DISPLAY		AVAILABLE CHOICES OR LIMITS			DEFAULT
		Minimum	Maximum		
18	Header Temp Point	0	255		14
19	BST Outdoor Sens	Disabled	Enabled		Disabled
20	Outdr Tmp Source	Outdoor Temp	Network		Outdoor Temp
21	Outdoor Tmp Addr	0	255		240
22	Outdoor Tmp Pnt	0	255		215
23	BST Auto Mstr	No	Yes NOTE! A Modbus temperature transmitter must be installed in conjunction with this feature.		No
24	BST Auto Timer	10 sec	120 sec		30 sec
25	Remote Intlk Use	Boiler Shutdown	System Shutdown		System Shutdown
26	One Boiler Mode	Off	On-Outlet Temp	On-Avg Temp	Off
27	1 Blr Threshold	10	35		25
28	Setpoint Setback	Disable	Enable		Disable
29	Setback Setpoint	BST Setpt Lo Limit	BST Setpt HI Limit		130°F (54.4°C)
30	Setback Start	12:00am	11:59pm		12.00am
31	Setback End	12:00am	11:59pm		12.00am
32	Rate Threshold	1°F (0.55°C)	30°F (16.5°C)		15°F (8.25°C)
33	*OPERATE MENU*	Disabled	Enabled		Disabled
34	BST Next On VP	16%	100%		50%
35	BST Max Boilers	1	8		8
36	BST On Delay	30 sec	300 sec		60 sec
37	BST On Timeout	15 sec	300 sec		60 Sec
38	Valve Override	Off	Closed	Open	Off
39	Valve Off Delay	0	15 min		1 min
40	BST Sequencing	Run Hours	Unit Size	Select Lead	Run Hours
41	Select Lead Unit	0	127		0
42	Select Lag Unit	0	127		0
43	Lead/Lag Hours	25 hours	225 hours		72 hours
44	*TEMP CTRL MENU*	Disabled	Enabled		Disabled
45	BST Temp Hi Limit	40°F (4.4°C)	210°F (98.9°C)		210°F (98.9°C)
46	BST Setpt Lo Limit	40°F (4.4°C)	BST Setpt HI Limit		60°F (15.5°C)
47	BST Setpt HI Limit	BST Setpt Lo Limit	220°F (104.4°C)		195°F (90.6°C)
48	BST Prop Band	1°F (-17.2°C)	120°F (48.9°C)		100°F (37.8°C)
49	BST Intgral Gain	0.00	2.00		0.50
50	BST Deriv Time	0.00 Min	2.00 Min		0.10 Min

TABLE 2-7: BST Menu				
MENU ITEM DISPLAY		AVAILABLE CHOICES OR LIMITS		DEFAULT
		Minimum	Maximum	
51	BST Deadband Hi	0	25	1
52	BST Deadband Lo	0	25	1
53	Deadband En Time	0	120 Sec	30 Sec
54	BST FR Up Rate	1	120	20
55	BST Bldg Ref Tmp	40°F (4.4°C)	230°F (110°C)	70°F (21.1°C)
56	BST Reset Ratio	0.1	9.9	1.2
57	System Start Tmp	30°F (-1.1°C)	120°F (48.9°C)	60°F (15.6°C)

58	*BST COMM MENU*	Disabled	Enabled	Disabled
59	Comm Address	0	127	0
60	BST Min Addr	1	128	1
61	BST Max Addr	1	128	8
62	SSD Address	0	250	247
63	SSD Poll Control	0	1000	0
64	Err Threshold	1	9	5
65	SSD Temp Format	Degrees	Points	Degrees
66	BST Upd Timer	0	9999 sec	0

*** NOTE:** The 1 BST Units 8 menu item shows the current status for each unit controlled by BST, up to a maximum of 8 units. The possible characters displayed are:

- = Off Line
- * = Not Available (fault, etc.)
- 0 = Off
- 1 = On,
- A = Lead On
- a = Lead Off
- B = Lag On
- b = Lag Off
- S = Setpoint Limit Active

The following example shows the status of 5 units being controlled by BST where:

- Unit 1 & 3 are **On**
- Unit 2 is **Off**
- Unit 4 is **Not Available**
- Unit 5 is **Lead On**
- Unit 6 is **Lag Off**

1 BST Units 8

1	0	1	*	A	b		
---	---	---	---	---	---	--	--

2.10 CALIBRATION MENU

The Calibration menu is used by factory trained service personnel to adjust or reset the parameters listed below.

A full description of each item appears in Table A-6 of Appendix A.

TABLE 2-8: Calibration Menu				
MENU ITEM DISPLAY		AVAILABLE CHOICES OR LIMITS		DEFAULT
		Minimum	Maximum	
1	Stepper Fbk	Cal 0%, Verify 50%, Cal 100%		Cal 0%
2	Purge Timer	5 sec.	60 sec	Depends on unit type/size
3	Post Purge Timer	0 sec.	60 sec.	0 sec.
4	IGN Position	5%	60%	Depends on unit type/size
5	Ign Pos Hold Tmr	0 sec.	60 sec.	0 sec.
6	FFWD Temp Dsply	Enabled or Disabled		Disabled
7	Outlet Tmp Dsply	Enabled or Disabled		Disabled
8	Inlet Tmp Dsply	Enabled or Disabled		Disabled
9	Valv Pos Out Dsp	Enabled or Disabled		Enabled
10	Exhaust Tmp Dsp	Enabled or Disabled		Disabled
11	Exhaust Safety	Enabled or Disabled		Enabled
12	Flue Material	PVC	Stainless	PVC
13	Exhst Fault Temp	100 °F	500 °F	200 °F
14	Exhst Module Temp	100 °F	500 °F	190 °F
15	Exhst Warn Temp	100 °F	500 °F	180 °F
16	Exhst Tmp VP Adj	0	10	5
17	Exhst Adj Rate	1	600	30
18	VP Change Rate	5	600	25
19	VP Up Rate	0.5	60.0	Depends on unit type/size
20	VP Down Rate	0.5	60.0	Depends on unit type/size
21	Purge Blwr Offst	-1.0	8.0	Depends on unit type/size
22	4-20mA Purge Pct	60%	100%	70%
23	PWM In Adj	-5.0%	5.0%	0.0%
24	Analog In Adj	-5.0%	5.0%	0.0%
25	Flow In Adj	-5.0%	5.0%	0.0%
26	Supply Gas Pressure In Adj	-5.0%	5.0%	0.0%
27	Gas Plate dp In Adj	-5.0%	5.0%	0.0%
28	mA Out Adj	-1.0 mA	1.0 mA	0.0 mA

TABLE 2-8: Calibration Menu				
MENU ITEM DISPLAY		AVAILABLE CHOICES OR LIMITS		DEFAULT
		Minimum	Maximum	
29	A/F Sensitivity	1%	5%	2%
30	Power Reset	Automatic or Manual		Automatic
31	Water Temp Reset	Automatic or Manual		Automatic
32	Gas Press Reset	Automatic or Manual		Manual
33	Min Off Time	0 Min	15 Min	0 Min
34	Stop Level	0%	Start Level	16
35	Start Level	Stop Level	40%	20
36	Skip Range Cntr	10	95	40
37	Skip Range Span	0	3	0
38	Skip Speed	0.5	2.0	0.5
39	O2 Gain	0.500	1.500	1.024
40	O2 Offset	-24.0	+2.0	0
41	O2 Sensor	Enabled or Disabled		Depends on unit type/size
42	Cal Temp Sensors	Off or Start		Off
43	FFWD Temp Offset	-20	+20	0
44	Exhst Tmp Offset	-20	+20	0
45	Outdr Air Offset	-20	+20	0
46	Inlet Air Offset	-20	+20	0
47	Inlet Wtr Offset	-20	+20	0
48	Outlet Wtr Offset	-20	+20	0
49	24 hr Max Cycles	0	9999	0
50	24 hr Max Ovrtemp	0	9999	0
51	0-10v Out Test	0.0	10.0	0
52	Spark Monitor	Enabled or Disabled		Depends on unit type/size
53	Min Spark Amps	0 Amps	2.5 Amps	0.1 Amps
54	Max Spark Amps	0 Amps	2.5 Amps	0.4 Amps

SECTION 3: MODES OF OPERATION

Benchmark boilers are capable of being operated in any one of six different modes. The following sections provide descriptions of each of these operating modes. Each boiler is shipped from the factory tested and configured for the ordered mode of operation. All temperature related parameters are at their factory default values, which work well in most applications. However, it may be necessary to change certain parameters to customize the unit to the system environment. After reading this section, parameters can be customized to suit the needs of the specific application. A complete listing and descriptions of the temperature related parameters are included in Appendix A, while factory defaults are listed in Sections 2.4 – 2.10, above.

3.1 INDOOR/OUTDOOR RESET MODE

This mode of operation is based on outside air temperatures. As the outside air temperature decreases, the supply header temperature will increase and vice versa. For this mode, it is necessary to install an outside air sensor as well as select a building reference temperature and a reset ratio.

3.1.1 Reset Ratio

Reset ratio is an adjustable number from 0.1 to 9.9. Once adjusted, the supply header temperature will increase by that number for each degree that the outside air temperature decreases. For instance, if a reset ratio of 1.6 is used, for each degree that outside air temperature decreases the supply header temperature will increase by 1.6 degrees.

3.1.2 Building Reference Temperature

This is a temperature from 40°F to 230°F (4.4°C to 110°C). Once selected, it is the temperature that the system references to begin increasing its temperature. For instance, if a reset ratio of 1.6 is used, and we select a building reference temperature of 70°F (21.1°C), then at an outside temperature of 69°F (20.6°C), the supply header temperature will increase by 1.6° to 71.6°F (0.9°C to 22°C).

3.1.3 Outdoor Air Temperature Sensor Installation

The outdoor air temperature sensor must be mounted on the North side of the building in an area where the average outside air temperature is expected. The sensor must be shielded from the sun's direct rays, as well as direct impingement by the elements. If a cover or shield is used, it must allow free air circulation. The sensor may be mounted **up to 200 feet (61m)** from the unit. Sensor connections are made at the Input/Output (I/O) Box on the front of the boiler. Connections are made at the terminals labeled *OUTDOOR AIR IN* and *AIR SENSOR COM* inside the I/O Box. Use shielded 18 to 22 AWG wire for connections. A wiring diagram is provided on the cover of the I/O Box. Refer to Section 2.10: *AC Electrical Power Wiring* of the *Benchmark 5000 – 6000 Installation and Startup Guide, OMM-0123 (GF-207)* for additional information on wiring..

3.1.4 Indoor/Outdoor Startup

Startup in the INDOOR/OUTDOOR RESET mode is accomplished as follows:

NOTE: A design engineer typically provides design outdoor air temperature and supply header temperature data.

Indoor / Outdoor Setup Instructions

1. Refer to the Indoor/Outdoor reset ratio charts in Appendix E.
2. Choose the chart corresponding to the desired Building Reference Temperature.
3. Go down the left column of the chart to the coldest design outdoor air temperature expected in your area.
4. Once the design outdoor air temperature is chosen, go across the chart to the desired supply header temperature for the design temperature chosen in step 3.
5. Next, go up that column to the RESET RATIO row to find the corresponding reset ratio.
6. Access the Configuration menu and scroll through it until the display shows **BLDG REF TEMP** (Building Reference Temperature). If necessary, refer to Section 2.3, above, for detailed instructions on menu changing.
7. Press the **CHANGE** key. The display will begin to flash.
8. Use the ▲ and ▼ arrow keys to select the desired Building Reference Temperature.
9. Press **ENTER** to save any changes.
10. Next, scroll through the Configuration menu until the display shows **RESET RATIO**.
11. Press the **CHANGE** key. The display will begin to flash.
12. Use the ▲ and ▼ arrow keys to select the Reset Ratio determined in step 5.
13. Press **ENTER** to save the change.

3.2 CONSTANT SETPOINT MODE

The CONSTANT SETPOINT mode is used when a fixed header temperature is desired. Common uses of this mode of operation include water source heat pump loops, and indirect heat exchangers for potable hot water systems or processes.

No external sensors are required to operate in this mode. While it is necessary to set the desired setpoint temperature, it is not necessary to change any other temperature-related functions. The unit is factory preset with settings that work well in most applications. Prior to changing any temperature-related parameters, other than the setpoint, it is suggested that an AERCO representative be contacted. For descriptions of temperature-related functions, see Appendix A; their factory defaults are included in Sections 2.4 – 2.8.

3.2.1 Setting the Setpoint

The setpoint temperature of the unit is adjustable from 40°F to 240°F (4.4°C to 115.6°C). To set the unit for operation in the CONSTANT SETPOINT mode, the following menu settings must be made in the *Configuration* menu:

TABLE 3-1: Constant Setpoint Mode Settings	
MENU OPTION	SETTING
Boiler Mode	Constant Setpoint
Internal Setpt	Select desired setpoint using ▲ and ▼ arrow keys (40°F to 240°F, 4.4°C to 115.6°C)

Refer to Section 2.3, above, for detailed instructions on changing C-More Controller menu options.

3.3 REMOTE SETPOINT MODES

The unit’s setpoint can be remotely controlled by an Energy Management System (EMS) or Building Automation System (BAS). The Remote Setpoint can be driven by a current or voltage signal within the following ranges:

- 4-20 mA/1-5 VDC
- 0-20 mA/0-5 VDC

The factory default setting for the REMOTE SETPOINT mode is 4 - 20 mA/1 - 5 VDC. With this setting, a 4 to 20 mA/1 to 5 VDC signal, sent by an EMS or BAS, is used to change the unit’s setpoint. The 4 mA/1V signal is equal to a 40°F (4.4°C) setpoint while a 20 mA /5V signal is equal to a 240°F (115.6°C) setpoint. When a 0 to 20 mA/0 to 5 VDC signal is used, 0 mA is equal to a 40°F (4.4°C) setpoint.

In addition to the current and voltage signals described above, the REMOTE SETPOINT mode can also driven by a RS-485 Modbus Network signal from an EMS or BAS.

The REMOTE SETPOINT modes of operation can be used to drive single as well as multiple units.

NOTE: If a voltage, rather than current signal is used to control the remote setpoint, a DIP switch adjustment must be made on the PMC Board located in the C-More Controller assembly. Contact your local AERCO representative for details.

In order to enable the REMOTE SETPOINT mode, the following menu setting must be made in the *Configuration* menu:

TABLE 3-2: Remote Setpoint Mode Settings	
MENU OPTION	SETTING
Boiler Mode	Remote Setpoint
Remote Signal	4-20mA/1-5V, 0-20mA/0-5V, or Network

Refer to Section 2.3 for detailed instructions on changing C-More Controller menu options.

If the Network setting is selected for RS-485 Modbus operation, a valid Comm Address must be entered in the *Setup* menu. Refer to Modbus Communication Manual GF-114 for additional information.

SECTION 3 – MODES OF OPERATION

While it is possible to change the settings of temperature related functions, the unit is factory preset with settings that work well in most applications. It is suggested that an AERCO representative be contacted, prior to changing any temperature related function settings. For descriptions of temperature-related functions, see Appendix A; their factory defaults are included in Sections 2.4 – 2.8.

3.3.1 Remote Setpoint Field Wiring

The only wiring connections necessary for the REMOTE SETPOINT mode are connection of the remote signal leads from the source to the unit's I/O Box. The I/O Box is located on the front panel of the boiler. For either a 4-20mA/0-5V or a 0-20mA/0-5V setting, the connections are made at the ANALOG IN terminals in the I/O Box. For a Network setting, the connections are made at the RS-485 COMM terminals in the I/O Box. The signal must be floating, (ungrounded) at the I/O Box and the wire used must be a two wire shielded pair from 18 to 22 AWG. Polarity must be observed. The source end of the shield must be connected at the source. When driving multiple units, each unit's wiring must conform to the above.

3.3.2 Remote Setpoint Startup

Since this mode of operation is factory preset and the setpoint is being externally controlled, no startup instructions are necessary. In this mode, the REMOTE LED will light when the external signal is present.

To operate the unit in the MANUAL mode, press the **AUTO/MAN** switch. The REMOTE LED will go off and the MANUAL LED will light.

To change back to the REMOTE SETPOINT mode, simply press the **AUTO/MAN** switch. The REMOTE LED will again light and the MANUAL LED will go off.

3.4 DIRECT DRIVE MODES

The unit's air/fuel valve position (% open) can be changed by a remote signal which is typically sent from an Energy Management System (EMS) or from a Building Automation System (BAS). The Direct Drive mode can be driven by a current or voltage signal within the following ranges:

- 4-20 mA/1-5 VDC
- 0-20 mA/0-5 VDC

The factory default setting for the DIRECT DRIVE mode is 4-20 mA/1-5 VDC. With this setting, a 4 to 20 mA signal, sent by an EMS or BAS is used to change the unit's valve position from 0% to 100%. A 4 mA/1V signal is equal to a 0% valve position, while a 20 mA /5V signal is equal to a 100% valve position. When a 0-20 mA/0-5 VDC signal is used, zero is equal to a 0% valve position.

In addition to the current and voltage signals described above, the DIRECT DRIVE mode can also driven by a RS-485 Modbus Network signal from an EMS or BAS.

When in a DIRECT DRIVE mode, the unit is a slave to the EMS or BAS and does not have a role in temperature control. DIRECT DRIVE can be used to drive single, or multiple units.

NOTE: If a voltage, rather than current signal is used to control the remote setpoint, a DIP switch adjustment must be made on the CPU Board located in the C-More Controller Assembly. Contact your local AERCO representative for details.

To enable the DIRECT DRIVE mode, the following menu setting must be made in the *Configuration* menu:

TABLE 3-3: Direct Drive Mode Settings	
MENU OPTION	SETTING
Boiler Mode	Direct Drive
Remote Signal	4-20mA/1-5V, 0-20mA/0-5V, or Network

Refer to Section 2.3 for instructions on changing C-More Controller menu options.

If the Network setting is selected for RS-485 Modbus operation, a valid Comm Address must be entered in the *Setup* menu. Refer to Modbus Communication Manual GF-114 for additional information.

3.4.1 Direct Drive Field Wiring

The only wiring connections necessary for DIRECT DRIVE mode are connection of the remote signal leads from the source to the unit’s I/O Box. For either a 4-20mA/0-5V or a 0-20mA/0-5V setting, the connections are made at the ANALOG IN terminals in the I/O Box. For a Network setting, the connections are made at the RS-485 COMM terminals in the I/O Box. The signal must be floating, (ungrounded) at the I/O Box and the wire used must be a two wire shielded pair from 18 to 22 AWG. Polarity must be observed. The source end of the shield must be connected at the source. When driving multiple units, each unit’s wiring must conform to the above.

3.4.2 Direct Drive Startup

Since this mode of operation is factory preset and the valve position is being externally controlled, no startup instructions are necessary. In this mode, the REMOTE LED will light when the signal is present.

To operate the unit in MANUAL mode, press the **AUTO/MAN** switch. The REMOTE LED will go off and the MANUAL LED will light (password required).

To change back to the DIRECT DRIVE mode, simply press the **AUTO/MAN** switch. The REMOTE LED will again light and the MANUAL LED will go off. This will happen automatically after 1 hour after the password has expired.

3.5 AERCO CONTROL SYSTEM (ACS)

NOTE: ACS is for installations with 9 or more boilers. It utilizes only RS-485 signaling to the boiler. Installations with 1 to 8 boilers can use Boiler Sequencing Technology (see Section 6 in *Benchmark 5000 – 6000 Installation and Startup Guide, OMM-0123 (GF-207)*).

The ACS mode of operation is used in conjunction with an AERCO Control System. The ACS mode is used when it is desired to operate multiple units in the most efficient manner possible. For this mode of operation, an ACS Header Sensor must be installed **between 2 and 10 feet (0.61 and 3m)** downstream of the **LAST** boiler in the boiler plant's supply water header. The ACS can control up to 40 boilers; Up to 32 via Modbus (RS-485) network communication. For ACS programming, operation, and Header Sensor installation details, see ACS Operations Guide, GF-131. For operation via an RS-485 Modbus network, refer to Modbus Communication Manual GF-114. To enable the ACS mode, the following menu settings must be made in the *Configuration* menu:

TABLE 3-4: ACS Mode Settings	
MENU OPTION	SETTING
Boiler Mode	Direct Drive
Remote Signal	Network (RS485)

Refer to Section 2.3 for instructions on changing C-More Controller menu options.

3.5.1 ACS External Field Wiring

Wiring connections for RS-485 Modbus control are made between the 485 A- and 485 B+ terminals on the ACS (boilers 9 through 40) and the RS-485 COMM terminals in the I/O Box on the front of the boilers.

Wire the units using shielded twisted pair wire between 18 and 22 AWG. Observe the proper polarity for the ACS RS-485 COMM wiring connections. Shields should be terminated only at the ACS and the boiler end must be left floating. Each unit's wiring must conform to the above.

3.5.2 ACS Setup and Startup

This mode of operation is factory preset and the ACS controls the firing rate (air/fuel valve % open position). There are no setup instructions for each individual unit.

To operate the unit in MANUAL mode, press the **AUTO/MAN** switch. The REMOTE LED will go off and the MANUAL LED will light

To change back to the ACS mode, simply press the **AUTO/MAN** switch. The REMOTE LED will again light and the MANUAL LED will go off.

3.6 COMBINATION CONTROL SYSTEM (CCS)

NOTE: Only ACS can be utilized for the Combination Control System.

A Combination Control System (CCS) is one that uses multiple boilers to cover both space-heating and domestic hot water needs. The theory behind this type of system is that the maximum space-heating load and the maximum domestic hot water load do not occur simultaneously. Therefore, boilers used for domestic hot water are capable of switching between constant setpoint and ACS control.

For a typical CCS, an adequate number of boilers are installed to cover the space-heating load on the design-day. However, one or more units are used for the domestic hot water load as well. These boilers are the combination units and are referred to as the combo boilers. The combo boilers heat water to a constant setpoint temperature. That water is then circulated through a heat exchanger in a domestic hot water storage tank.

Only the AERCO Control System (ACS) is necessary to configure this system if only a single valve is used to switch from space heating to domestic hot water. However, the ACS Relay Panel is required in combination with the ACS when there are up to two isolation valves, boiler interlocks, and/or a Domestic Hot Water (DHW) pump in a Combination heating plant where AERCO boilers are being used for both Building Heat and Domestic Hot Water heating.

The following two options are available for using a combination system; one that uses only the ACS, and one that requires the optional ACS Relay Box:

- **OPTION 1** - This option is selected when the ACS controls a boiler plant containing up to eight combination boilers that are Domestic Hot Water Priority (DHW PRIORITY) boilers, along with building heat (BLDG HEAT) boilers, and *one* hydronic isolation valve in the main header between the BLDG HEAT boilers and the DHW PRIORITY boilers.
- **OPTION 2** – When this option is selected, the ACS Relay Panel must be used in conjunction with the ACS. For this option, the ACS controls a boiler plant containing up to eight combination boilers that are divided up into Building Priority (BLDG PRIORITY) boilers and Domestic Hot Water Priority (DHW PRIORITY) boilers, along with building heat (BLDG HEAT) boilers, and using *two* hydronic isolation valves in the main header, one between the BLDG HEAT and BLDG PRIORITY boilers, and the other between the BLDG PRIORITY and the DHW PRIORITY boilers.

In Option 2, when the space-heating load is such that when all the space-heating boilers are at the 100% valve position, the ACS will then ask the ACS Relay Box for the domestic boilers to become space-heating boilers. Provided the domestic hot water load is satisfied, the combo (hot water) boilers will then become space-heating boilers. If the domestic hot water load is not satisfied, the combo boiler(s) remain on the domestic hot water load. If the combo boilers switch over to space heating, but there is a call for domestic hot water, the ACS Relay Box switches the combo units back to the domestic load. The ACS in combination with the ACS Relay Box will ask the BLDG PRIORITY boilers to help with domestic hot water heating if the DHW PRIORITY boilers are not able to satisfy the domestic hot water demand.

When the combo units are satisfying the domestic load, they are in the CONSTANT SETPOINT mode of operation. When the combo units switch over to space heating, their mode of operation changes to follow the ACS command. For more information concerning the operation of the ACS, consult the ACS Operations Guide, GF-131. For more information on the ACS Relay Box, see Section 2.14 in the same manual.

3.6.1 Combination Control System Field Wiring

Wiring for this system is between the ACS, the ACS Relay Box, and the terminals in the I/O Box. Wire the units using a shielded twisted pair of 18 to 22 AWG wire. When wiring multiple units, each unit’s wiring must conform to the above.

3.6.2 Combination Control System Setup and Startup

Setup for the COMBINATION mode requires entries to be made in the *Configuration* menu for boiler mode, remote signal type and setpoint. The setpoint is adjustable from 40°F to 190°F (4.4°C to 87.8°C).

Enter the following settings in the *Configuration* menu:

TABLE 3-5: Combination Mode Settings	
MENU OPTION	SETTING
Boiler Mode	Combination
Remote Signal	Network
Internal Setpt	40°F to 190°F (4.4°C to 87.8°C)

Refer to Section 2.3 for instructions on changing C-More Controller menu options.

While it is possible to change other temperature-related functions for COMBINATION mode, these functions are preset to their factory default values. These default settings work well in most applications. It is suggested that AERCO be contacted prior to changing settings other than the unit’s setpoint. For descriptions of temperature-related functions, see Appendix A; their factory defaults are included in Sections 2.4 – 2.8.

To set the unit to the MANUAL mode, press the **AUTO/MAN** switch. The MANUAL LED will light.

To set the unit back to the AUTO mode, press the **AUTO/MAN** switch. The MANUAL LED will go off and the REMOTE LED will light.

When the boiler is switched to ACS control, the ACS controls the valve position. There are no setup requirements to the boiler(s) in this mode.

SECTION 4: MAINTENANCE

4.1 MAINTENANCE SCHEDULE

The unit requires regular routine maintenance to keep up efficiency and reliability. For best operation and life of the unit, routine maintenance procedures should be performed in the time periods specified in Table 4-1. For a complete inspection check list see ASME CSD-1 chart.

WARNING!

Prior to servicing ensure that the following guidelines are strictly observed:

- Disconnect the AC power supply by turning off the service switch and ac supply circuit breaker.
- Shut off the gas supply at the manual shut-off valve provided with the unit
- Allow the unit to cool to a safe water temperature to prevent burning or scalding

TABLE 4-1: Maintenance Schedule					
SEC	ITEM	6 MOS.	12 MOS.	24 MOS.	LABOR TIME
4.2	Pilot Burner Ignitor Rod FRU Kit (P/N 58084)	*Inspect	Inspect, replace if necessary	Replace	15 mins.
4.3	Main Flame Detector FRU Kit (P/N 65182)	*Inspect	Inspect, replace if necessary	Replace	15 mins.
4.4	Lean O ₂ Sensor (P/N 61026)	*Inspect	Inspect	-	15 mins.
4.5	Combustion Calibration & pilot regulator adjustment	*Check	Check	-	1 hr.
4.6	Testing of Safety Devices	-	See ASME CSD-1 Chart	-	45 mins.
4.7	Burner	-	-	Inspect	2 hrs.
4.9	Condensate Drain Trap	*Inspect	Inspect, Clean & Replace Gaskets	Inspect, Clean & Replace Gaskets	30 mins.
4.10	Air Filter (replace P/N 88014), Cleaning Kit (58041)	-	Clean	Replace	15 mins.

* Only performed after initial 6 month period after initial startup.

The following maintenance kits are available through your local AERCO Sales Representative:

Kit	Kit P/N	Description
12 Month service	58025-11	Services Pilot Burner, Flame Rod & Condensate trap
24-Month Waterside/ Fireside service	58025-12	58025-11 plus: Burner, LWCO, Air Pump Filter & Air Filter replacement
	58025-15	Same as 58025-12 except clean (not replace) Air Filter
24-Month Waterside service	58025-14	58025-11 plus: LWCO, replace Air Pump Filter & Air Filter
	58025-16	Same as 58025-14 except clean (not replace) Air Filter

NOTE: The 24-Month Waterside/Fireside Inspection Kits includes the items contained in the Annual Maintenance Kit (P/N 58025-11). Therefore, when performing the waterside/fireside inspections, only the 24-Month kit is required. Refer to Appendix I for recommended spare parts.

4.2 PILOT BURNER

The Pilot Burner (P/N 29700) is located on the right-front of the Burner Plate. It contains an ignition cable, the Pilot gas line connected to the bushing, and the Pilot Burner Rod (P/N 66100), which should be inspected and/or replaced according the schedule in Table 4-1a. Figure 4-1a shows the location of the Pilot Burner and related components.

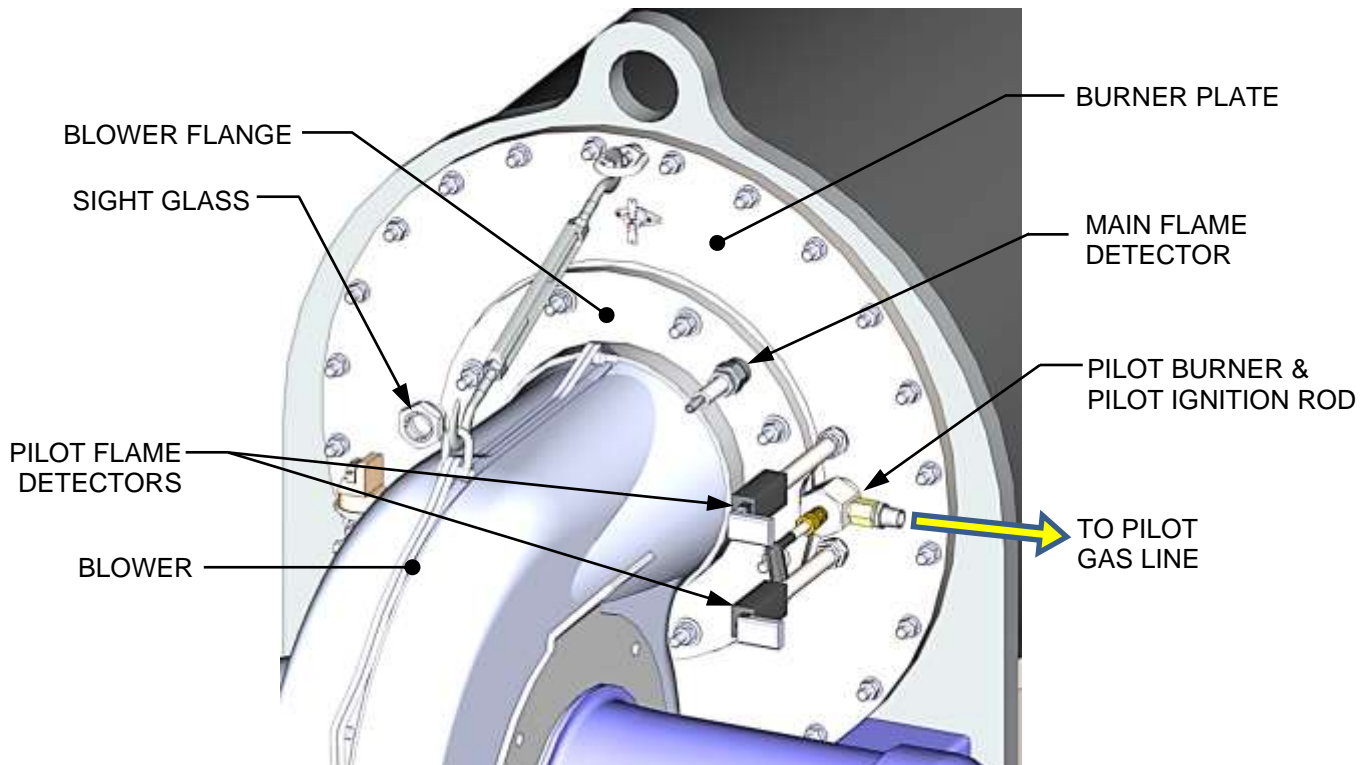


Figure 4-1a: Pilot Burner, Main & Pilot Flame Detector Mounting Locations

The Pilot Burner may be hot, therefore care should be exercised to avoid burns. It is easier to remove the Pilot Burner from the unit after it has cooled to room temperature.

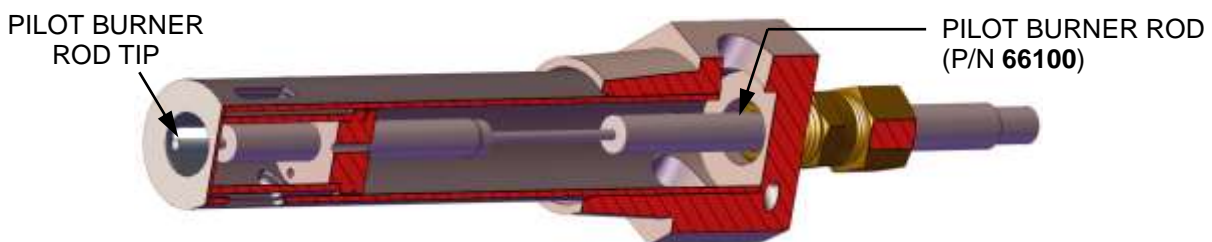


Figure 4-1b: Pilot Burner & Pilot Ignition Rod – Cross-Section

To inspect/replace the Pilot Burner and/or Pilot Burner Rod, perform the following procedure:

Pilot Burner Maintenance Instructions

Pilot Burner Maintenance Instructions

1. Set the C-More Controller's ON/OFF switch to the **OFF** position. Disconnect AC power from the unit.
2. For easy access, open the front panel and right side door. If you are working on the left unit of a two-unit, zero side clearance installation, you may want to remove the top panel and service the unit from above.
3. Disconnect the ignition cable from the Pilot Burner (Figure 4-1a).
4. Using a 1/2" open-end wrench, disconnect the Pilot gas line from the reducer fitting and elbow shown in Figure 4-1a.
5. First, remove the reducer fitting and then the elbow from the Pilot Burner.
6. Remove one of the two Pilot Flame Detectors to provide clearance for Pilot Burner removal.
7. Using a 1-1/2" open end wrench, loosen and remove the Pilot Burner from the Burner Plate.
8. Check the tip of Pilot Ignition Rod (P/N **66100**) for evidence of erosion or carbon build-up (see Figure 4-1b, above). If carbon build-up is present, clean the component using a wire brush, however, if there is evidence of substantial erosion, the Pilot Ignition Rod should be replaced. If the Pilot Burner itself is damaged or deformed, replace the Pilot Burner (P/N **29700**).
9. Prior to reinstalling the Pilot Burner, a high temperature, conductive, anti-seize compound must be applied to the threads.
10. Reinstall the Pilot Burner on the Burner Plate. Torque to **170 - 180 in-lbs. (19.2 – 20.3 Nm). DO NOT over tighten.**
11. Reassemble the remaining components in the reverse order that they were removed.
12. Reconnect the ignition cable.
13. Close the right side door and front panel. Replace the top panel if the unit was serviced from above.

4.3 MAIN FLAME DETECTOR

The Main Flame Detector (**Replacement Kit P/N 65182**) is located on the Blower Flange near the top of the unit (see Figure 4-1a, above). The Main Flame Detector may be hot. Allow the unit to cool sufficiently before removing the Main Flame Detector. Inspect or replace the Main Flame Detector as follows:

Main Flame Detector Maintenance Instructions

1. Set the C-More Controller's ON/OFF switch to the **OFF** position. Disconnect AC power from the unit.
2. Remove the front panel from the unit by grasping the top handle and pulling straight out.
3. Disconnect the Main Flame Detector lead wire. Be careful not to yank the wire when it pops off the Main Flame Detector.
4. Remove the Main Flame Detector from the Blower Flange.
5. Thoroughly inspect the Main Flame Detector. If eroded, the detector should be replaced. Otherwise clean the detector with a fine emery cloth. Replacement is necessary every 24 months.
6. Apply a small amount of high temperature TFE-Based thread sealant and reinstall the Main Flame Detector on the Blower Flange.
7. Reconnect the Main Flame Detector lead wire.
8. Replace the front panel on the unit.

4.4 O₂ SENSOR

The Lean Oxygen Sensor (P/N **61026**) is located on the burner's rear plate, on the rear of the unit, as shown in Figure 4-2. As this figure shows, there is also a gas suction line that supplies a sampling of the exhaust gases from the exhaust manifold to ensure accurate sampling of the O₂ levels. The sensor and the suction line may be hot, therefore allow the unit to cool sufficiently before removing or replacing the O₂ sensor.

NOTE: The O₂ Sensor needs to be replaced only once every 5 years.

The O₂ Sensor is removed and inspected by performing the following procedural steps:

O₂ Sensor Maintenance Instructions

1. Set the C-More Controller's ON/OFF switch to the **OFF** position. Disconnect AC power from the unit.
2. Remove the O₂ Sensor Cover from the unit's back panel by removing the cover's 4 Phillips head screws (see Figure 4-2).

WARNING!

DO NOT remove the units back panel without first lifting the Air Eductor assembly off the opening behind the O₂ Sensor Cover and holding it in place with a length of cord or wire.

3. Disconnect the O₂ sensor lead wire by pushing in on the release tab and pulling apart the connector.
4. Next, loosen and remove the O₂ sensor and crush washer from the back plate using a 15/16" open-end wrench.

O₂ Sensor Maintenance Instructions

5. Thoroughly inspect the O₂ sensor. If corroded, the sensor should be replaced. Ensure that the hole in the refractory is clean and that the gas sample suction tube is not clogged.
6. Reinstall the O₂ sensor and crush washer on the back plate.
7. Reconnect the sensor lead wire.
8. Continue by completing the instructions in the next section to maintain the Air Eductor assembly.

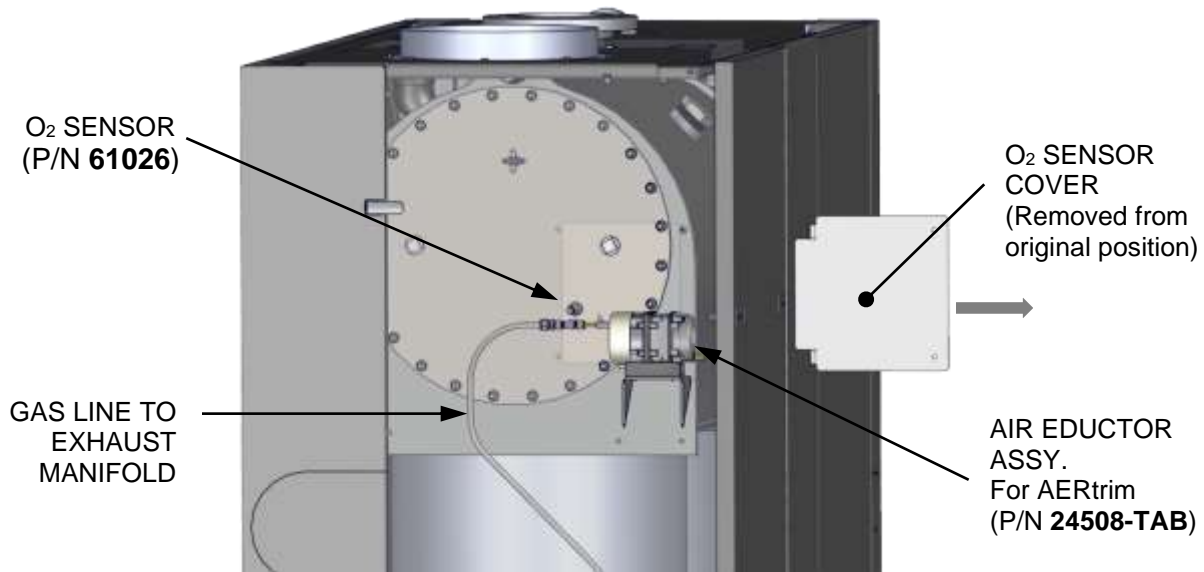


Figure 4-2: O₂ Sensor Mounting Location – Back Panel Semi-Transparent

4.4.1 Air Eductor Air Pump Maintenance

Benchmark 5000 and 6000 units contain an Air Eductor assembly, mounted on the opening in unit's back panel, just behind the O₂ Sensor Cover (see Figure 4-2, above). It includes an air pump, which draws an air sample from the combustion chamber, causing it to flow past the Oxygen sensor mounted on the burner's rear plate, ensuring its accuracy (see *Air Pump Voltage* setting in the Operating menu, Appendix A1 for more information).

While the O₂ Sensor Cover is removed, complete the instructions below to maintain the Air Eductor's air pump.

Air Pump Maintenance and Troubleshooting Instructions

1. Remove the Air Pump's plastic air filter cover and clean or replace the air filter (see Figure 4-3).
2. If the Air Eductor or the Air Pump is not operating properly, try the following troubleshooting steps:
 - a. Check the connector to the Air Pump for corrosion or contamination, clean as needed.
 - b. If the Air Pump is not running, check 120 VAC power to the Air Pump. If 120 VAC power is OK, replace the Air Pump.
 - c. If the Air Pump is running, check current drawn in series with one power wire. If the current is within the range of 0.1 to 0.6 amps, the Air Pump is operating properly.
 - d. Check the signal from current sensor. If it is within the range of 0.20 to 1.20 VDC, there may be a connector problem or IGST board issue. Check all connectors and wires first. Try swapping IGST board with known good board before ordering a new one.
3. Reattach the O₂ Sensor Cover to the unit's back panel.

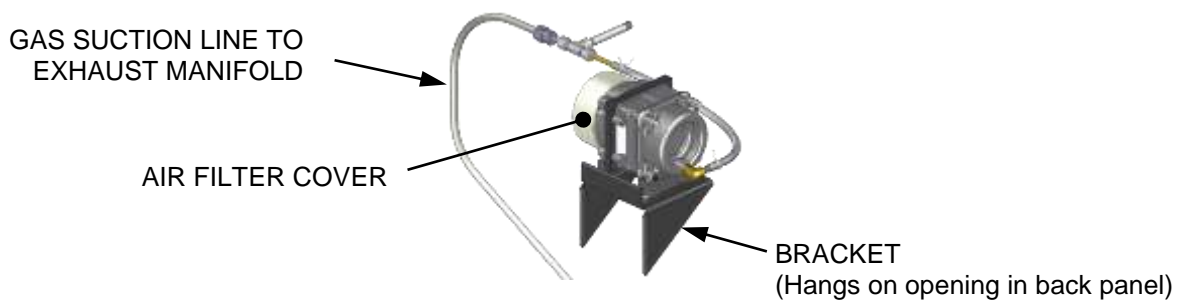


Figure 4-3: Air Eductor Assembly – Shown Removed from Unit

4.5 COMBUSTION CALIBRATION & PILOT REGULATOR ADJUSTMENT

Combustion settings must be checked at the intervals shown in Table 4-1 as part of the maintenance requirements. Refer to Section 4.5 of the *Benchmark 5000 – 6000 Installation and Startup Guide, OMM-0123 (GF-207)* for combustion calibration instructions. Pilot Regulator tests and adjustments are performed using the procedures in Section 4.5.1 and Section 4.5.2, below.

4.5.1 Pilot Regulator Pressure Testing

Benchmark 5000 & 6000 standard models feature one Pilot Regulator system in the Natural Gas gas train, while Benchmark 5000 & 6000 Dual Fuel units have two Pilot Regulator systems, one in the Natural Gas gas train (see Figure 4-4a) and one in the Propane gas train (see Figure 4-4b).

Both Pilot Regulators should be pressure tested annually as described below. If the gas pressure is **below 4.6” W.C. (1.1 kPa)** or **above 5.0” W.C. (1.2 kPa)** in either regulator, then that regulator must be recalibrated using the instructions in Section 4.5.2.

NOTE: Units with Low Gas Pressure (LGP) gas trains will have different gas pressures than the ones shown above and in the instructions below.

The following pressure test is performed on both the Natural Gas and Propane Pilot Regulators:

Pilot Regulator Pressure Test Procedure Instructions

1. Ensure that gas supply shut-off valve upstream of the unit is still turned **OFF**.
2. Turn OFF electrical power to the system.
3. Remove the 1/4” NPT plug from the Tee on the outlet side of the Pilot Regulator (Figure 4-4a or Figure 4-4b) and insert a NPT-to-barbed adapter fitting.
4. Attach one end of the plastic tubing to the barbed fitting and the other end to the 16” W.C. (4.0 kPa) manometer.
5. Remove the cap from the Pilot Regulator to access the gas pressure adjustment. Rotate the regulator adjustment (beneath cap) clockwise (CW) to its highest possible pressure setting.
6. Next, rotate the adjustment screw 2 turns counterclockwise (CCW).
7. OPEN the main gas supply upstream of the unit.
8. Turn ON electrical power to the system.
9. Start the boiler in MANUAL mode. Observe the manometer pressure when the Pilot solenoid “clicks” open after purge. It should now provide a reading of **4.8 ± 0.2” W.C. (1.2 kPa ± 50 Pa)**.
10. Pull out one of the Pilot Flame Detectors (see Figure 4-1a, above) and look into the observation port on the front plate. You should see the orange glow of the Pilot flame during the ignition trial period.
11. If the pressure is within specifications, remove the manometer and replace the cap on the Pilot Regulator, then return the unit to service. Make sure that the unit is operating in AUTO mode. The “MAN” light in the upper left of the C-More Controller should NOT be lit when in AUTO mode.
12. If the Pilot Regulator is NOT within specifications, proceed to Section 4.5.2 and perform the Pilot Regulator Pressure Calibration procedure.

Pilot Regulator Pressure Test Procedure Instructions

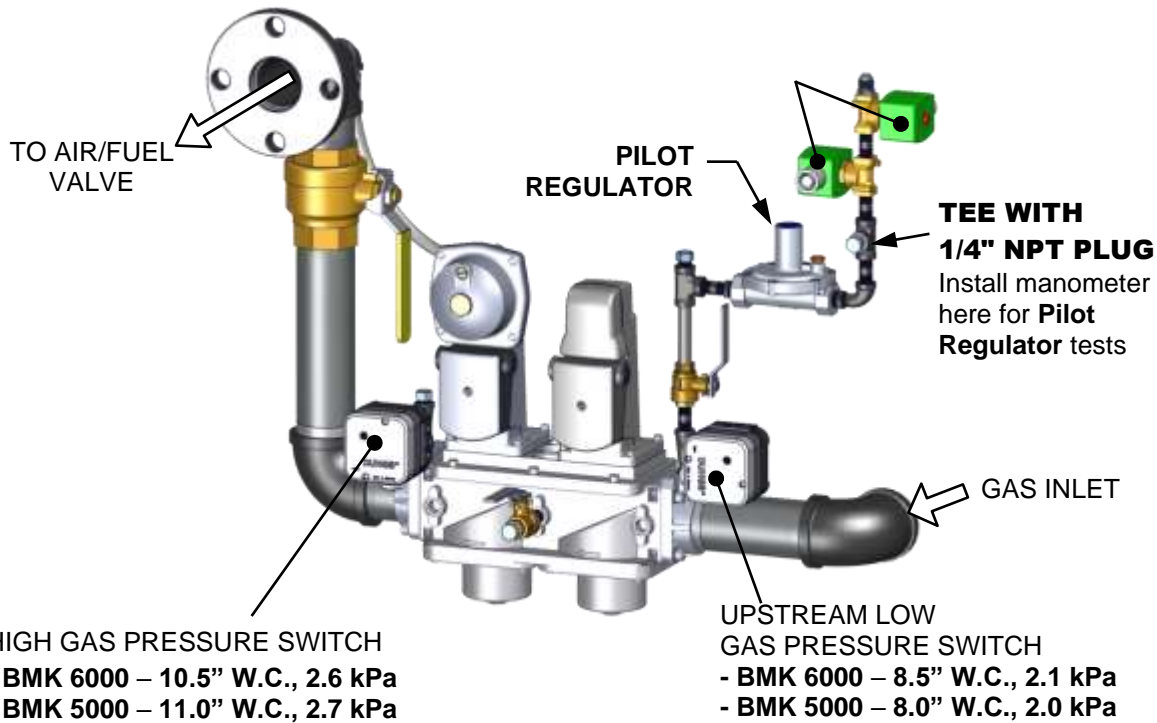


Figure 4-4a: BMK 5000/6000 Single Fuel Pilot Regulator Mounting Location

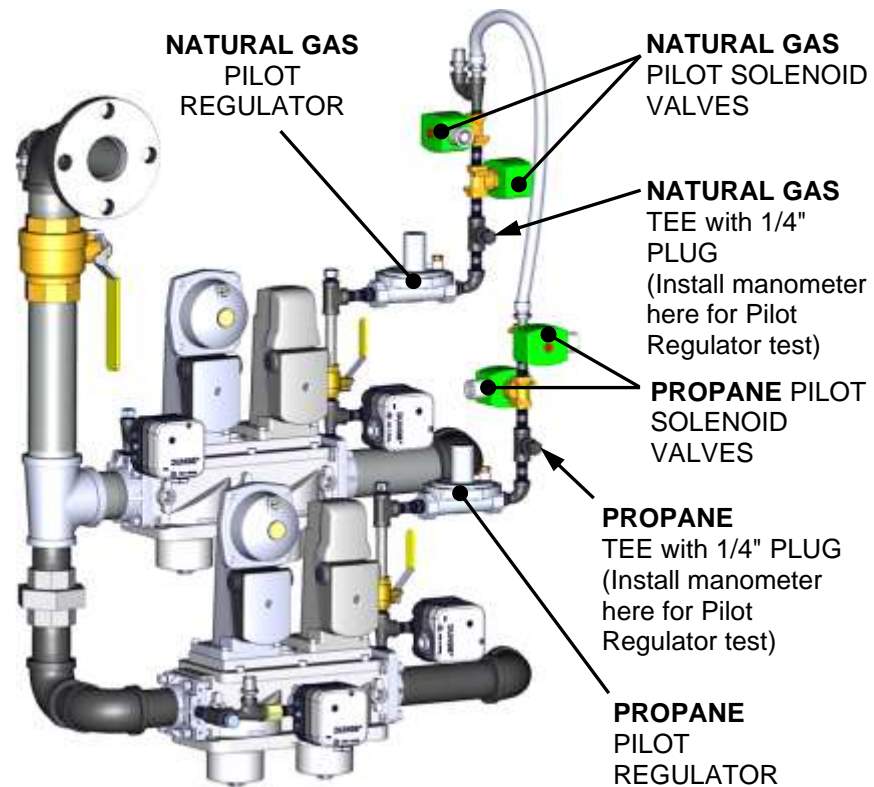


Figure 4-4b: BMK 5000/6000 Dual Fuel Pilot Regulator Mounting Location

4.5.2 Pilot Regulator Pressure Calibration

The instructions in this section apply to both the Natural Gas and Propane gas trains.

If either the Natural Gas or Propane Pilot Regulator pressure is **below 4.6” W.C. (1.15 kPa)** or **above 5.0” W.C. (1.25 kPa)** the Pilot Regulator pressure must be calibrated using the procedure below.

NOTE: Units with Low Gas Pressure (LGP) gas trains will have different gas pressures than the ones shown above and in the instructions below.

Pilot Regulator Pressure Calibration Procedure Instructions

1. Ensure that gas supply shut-off valve upstream of the unit is still turned **OFF**.
2. Turn **OFF** electrical power to the system.
3. Remove the pipe plug from the 1/4” NPT port on the outlet side of the Pilot Regulator (Figure 4-4a or Figure 4-4b, above) and insert a NPT-to-barbed adapter fitting.
4. Attach one end of the plastic tubing to the barbed fitting and the other end to the 16” W.C. (4.0 kPa) manometer.
5. Remove the cap from the Pilot pressure regulator and rotate the regulator adjustment (beneath cap) clockwise (CW) to its highest possible pressure setting.
6. **OPEN** the main gas supply upstream of the unit.
7. Turn **ON** electrical power to the system.
8. Start the boiler in the **MANUAL** mode. Observe the manometer pressure when the Pilot solenoid “clicks” open after purge. The manometer should now provide a reading **between 4.6” W.C. and 5.0” W.C. (1.15 kPa and 1.25 kPa)**.
9. Pull one of the Pilot Flame Detectors out (see Figure 4-1a) and look into the port in the front plate. You should see the orange glow of the Pilot flame during the ignition trial period.

NOTE: If you do **not** see the orange glow, contact AERCO technical support to ascertain the problem. If you **DO** see it, proceed to the next step.

10. If the manometer reading is **below 4.6” W.C. (1.15 kPa)**, increase the regulator setting by rotating the adjustment screw clockwise (CW).
11. Repeat steps 8 through 10 until the gas pressure at the outlet of the Pilot Regulator pressure reads **between 4.6” W.C. and 5.0” W.C. (1.15 kPa and 1.25 kPa)** on the monometer.
12. Once the pressure reading is **between 4.6” W.C. and 5.0” W.C. (1.15 kPa and 1.25 kPa)**, conduct at least three safe Pilot ignitions while observing the observation port. Assure the igniter lights immediately with a strong orange flame after the Pilot ignition solenoid valve opens.

NOTE: Clear any *Flame Loss During Ignition* messages during the tests by pressing the **CLEAR** key on the C-More Controller.

13. **CLOSE** the external gas supply valve.
14. Disconnect the manometer, tubing and barbed fitting from the 1/4” NPT port hole.
15. Replace the 1/4” plug where the barbed fitting was removed
16. Replace the Pilot Flame Detector.
17. **OPEN** the external gas supply upstream of the unit.
18. Ensure power is restored and the boiler is turned on in the **MANUAL** mode.
19. Perform the Combustion Calibration procedure in Section 4.5 of the Benchmark 5000 –

Pilot Regulator Pressure Calibration Procedure Instructions

6000 Installation and Startup Guide, OMM-0123 (GF-207).

20. Return the unit to service following successful completion of the Combustion Calibration procedures. Make sure that the unit is operating in the AUTO mode. The “MAN” light in the upper left of the C-More Controller should NOT be lit in AUTO mode.

4.6 SAFETY DEVICE TESTING

Systematic and thorough tests of the operating and safety devices should be performed to ensure that they are operating as designed. Certain code requirements, such as ASME CSD-1, require that these tests be performed on a scheduled basis. Test schedules must conform to local jurisdictions. The results of the tests should be recorded in a log book. See the *Benchmark 5000 – 6000 Installation and Startup Guide, OMM-0123 (GF-207)* for a description and instructions for performing these tests.

4.7 BURNER INSPECTION

The Burner assembly is located at the front of the unit's heat exchanger. The Burner assembly may be hot. Therefore, allow the unit to cool sufficiently before removing the Burner assembly.

The following parts will be required for reassembly after Burner inspection:

BMK 750/1000 Burner Inspection Parts	
PART NO.	DESCRIPTION
81159	Burner Gaskets (2)

BMK 5000/6000 Burner Inspection Instructions
<ol style="list-style-type: none"> 1. Set the C-More Controller's ON/OFF switch to the OFF position. Disconnect AC power from the unit and turn off the gas supply. 2. Remove the front panel, top panel and front side panels from the unit by grasping and lifting straight up and outward. This will expose the blower assembly for removal. 3. Remove the harnesses attached to the C-More Controller, remove 4 nuts (2 above and 2 below) from the C-More bracket and then remove the C-More and set it aside. 4. Disconnect the lead wire from the Main Flame Detector installed on the Blower Flange (Figure 4-1a, above). 5. Remove the Main Flame Detector from the Blower Flange. 6. Remove the Pilot sensors and observation ports from the Burner Plate (Figure 4-5a, below). 7. Disconnect the cable from the Pilot Burner by pulling straight out. 8. Using a 1/2" open-end wrench, disconnect the Pilot gas line from the reducer fitting and elbow shown in Figure 4-1a. Remove the reducer fitting and then the elbow from the Pilot Burner. 9. Next, loosen and remove the Pilot Burner from the Burner Plate using a 1-1/2" open-end wrench. 10. Remove the blower support turn-buckle (Figure 4-5a or Figure 4-5b). 11. Attach a hoist rig capable of lifting at least 300 pounds to the lifting lug on the blower fan housing. The Blower assembly weighs approximately 150-200 lbs. depending on which blower motor is installed. 12. Remove the two inlet air filters from the galvanized WYE-duct. 13. Disconnect the wires from the Blower Proof and Blocked Inlet switches (Figure 4-5b). 14. Disconnect the Molex connector from the temp sensor. 15. Place a support block of any appropriate material (such as a scrap 2X4 cut to length) under the gas train (see Figure 4-5b), and then remove the four 5/8-11 bolts & washers connecting the gas train to the Air/Fuel valve. 16. Remove the 6 3/8-16 nuts attaching the Air/Fuel valve to the Blower and then pull the Air/Fuel valve off and set it aside. 17. Loosen and remove the eight (8) 3/8" hex nuts and washers from the Blower Flange where it is attached to the Burner's Front Plate (see Figure 4-5a). 18. Remove the Blower from the Burner by pulling outward. Be careful not to allow it to swing

BMK 5000/6000 Burner Inspection Instructions

- and damage other equipment components. Refer to the exploded view in Figure 4-6.
19. Lower the Blower assembly down approximately 16” until it is clear of the Burner Flange.
 20. Remove the Burner by pulling straight out.
 21. Gently slide the Burner out of the boiler using care to avoid tearing the mesh burner fabric, or cock the Burner to one side or the other.
 22. Remove and replace the two (2) Burner Gaskets (see Figure 4-6) and clean the gasket surface on the burner front plate.
 23. To reassemble, begin with the Burner assembly and reinstall all the components in the reverse order that they were removed. The Burner may have a nut installed at the base position to keep the Burner level while installing the Blower (Figure 4-6).
 24. Ensure that the Pilot Burner and Pilot Flame Detectors cutouts in the Blower Flange are properly aligned with the Burner Front Plate.

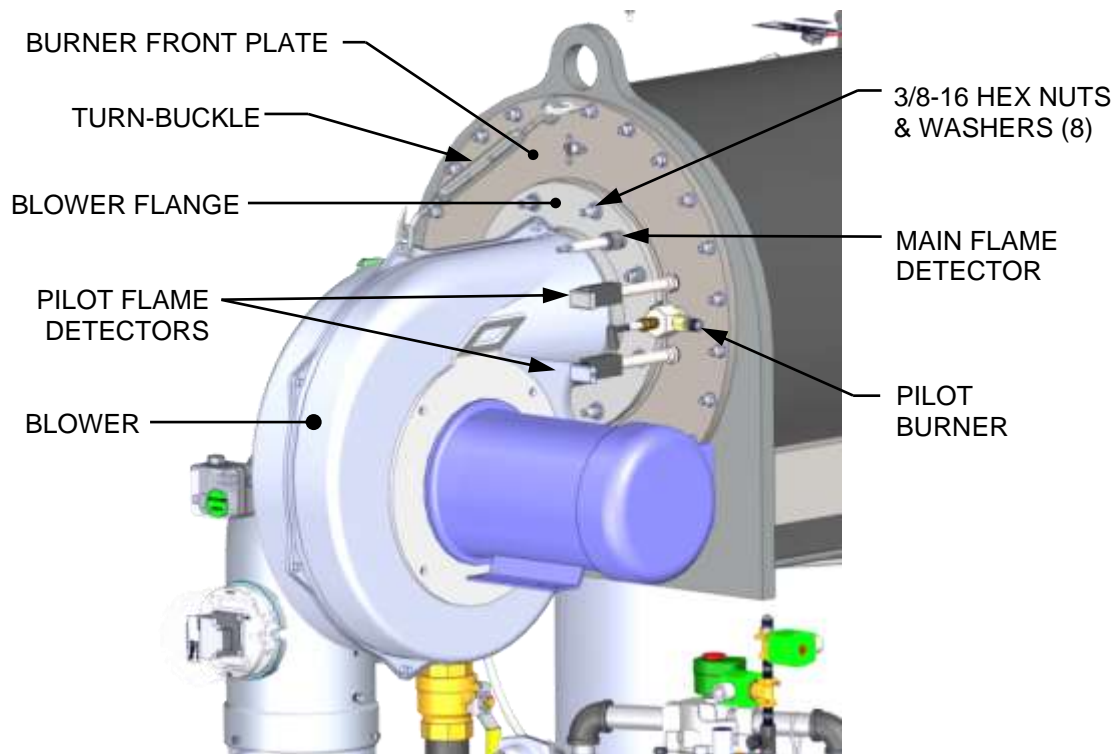


Figure 4-5a: Burner Assembly Mounting Details – Right-Front View

BMK 5000/6000 Burner Inspection Instructions

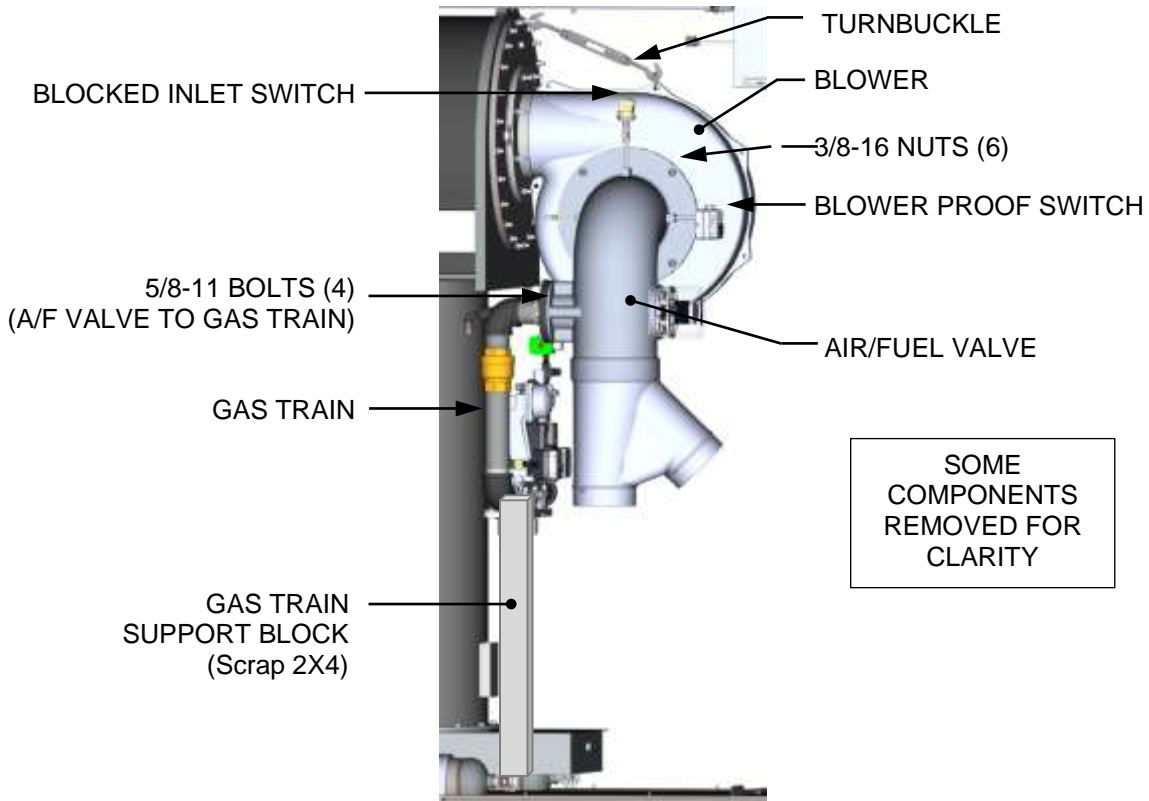


Figure 4-5b: Burner Assembly Mounting Details – Left Side View

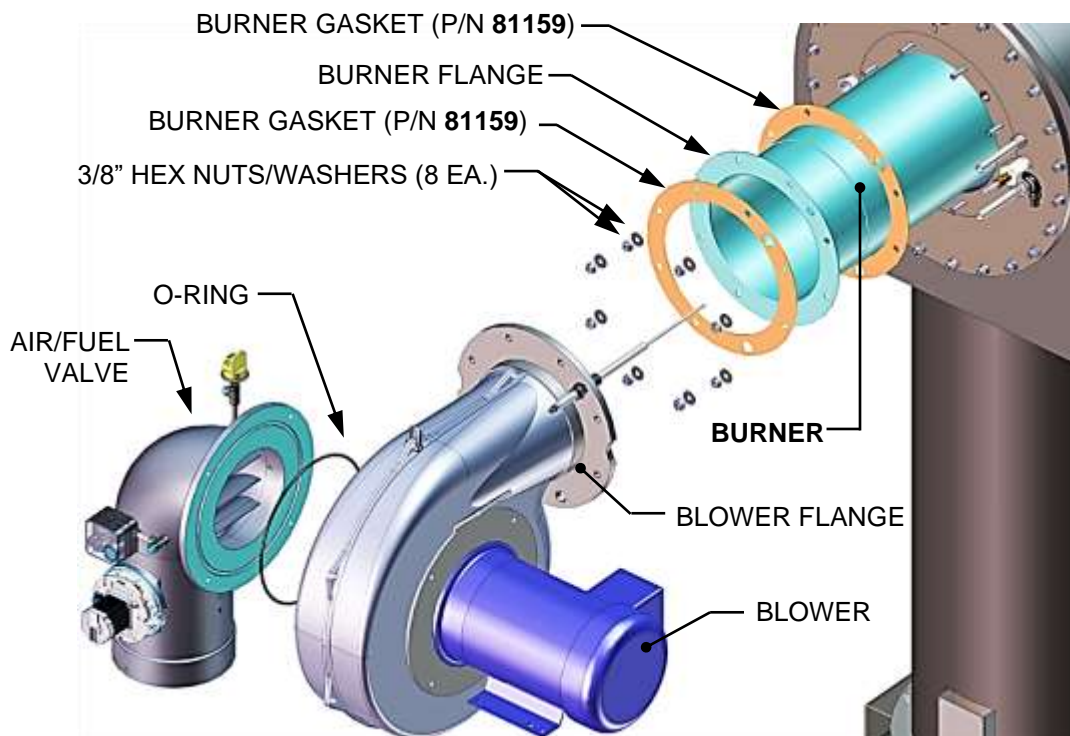


Figure 4-6: Burner Assembly – Exploded View

4.8 REFRACTORY REMOVAL & REPLACEMENT

WARNING!

The heat exchanger insulation utilizes ceramic fiber material. Wear a fitted NIOSH-approved particulate respirator (3m n95 or equiv.) When servicing the heat exchanger and burner assemblies. At high temperatures, ceramic fibers can be converted to crystalline silica fibers, which have been identified as carcinogenic when inhaled.

Low mass, fiber-based material insulates the front and rear end plates of the combustion chamber. This material has very low thermal conductivity and is not susceptible to thermal shock conditions that cause failures of hard-faced refractory materials.

In the event that access to the unit's combustion chamber is required, the preferred method is to remove the rear refractory first, since it is much a less complicated procedure; removing the front refractory requires first removing the blower, burner and air/fuel valve assemblies before reaching the refractory material.

The procedures for removal of the rear refractory and front refractory materials are provided in Sections 4.8.1 and 4.8.2, respectively.

4.8.1 Rear Refractory Removal and Replacement

Rear Refractory Replacement Instructions

1. Turn off gas and electrical power to the unit. In addition, turn off any other units sharing the exhaust flue.
2. Disconnect the flue from the exhaust manifold of the boiler being serviced and remove flue sections up to the top of the unit enclosure.
3. Remove the small O₂ Sensor cover panel from the left-rear panel. The Air Eductor assembly is clipped to the bottom edge of this opening. Lift the Air Eductor assembly up off the left-rear panel, then secure it in place with a length of cord or wire. **DO NOT REMOVE THE LEFT-REAR PANEL** without first securing the Air Eductor assembly in place.

NOTE: At the top, the left and right-rear panels are attached to the left and right top rails by nuts. At the bottom, each rear panel is attached to the base with one nut each. Access the nuts for removal through the side panel, as shown in Figure 4-7.

4. Remove the left-rear panel, which is held in place by 2 spring latches and 7/16" bolts, inside the panel on the top rail and bottom lip. See Figure 4-7, below.
5. With the panels removed, the rear plate of the combustion chamber can be accessed as shown in Figure 4-8, below.

CAUTION!

The surfaces of the heat exchanger may be hot. Allow the unit to cool sufficiently before proceeding to the next step.

6. Remove the O₂ sensor and the 1/4" stainless steel tube from the rear plate.
7. Disconnect the wires from the thermal switch on the rear plate.
8. Remove all of the nuts from the rear plate, EXCEPT for the one at the top of the plate.

Rear Refractory Replacement Instructions

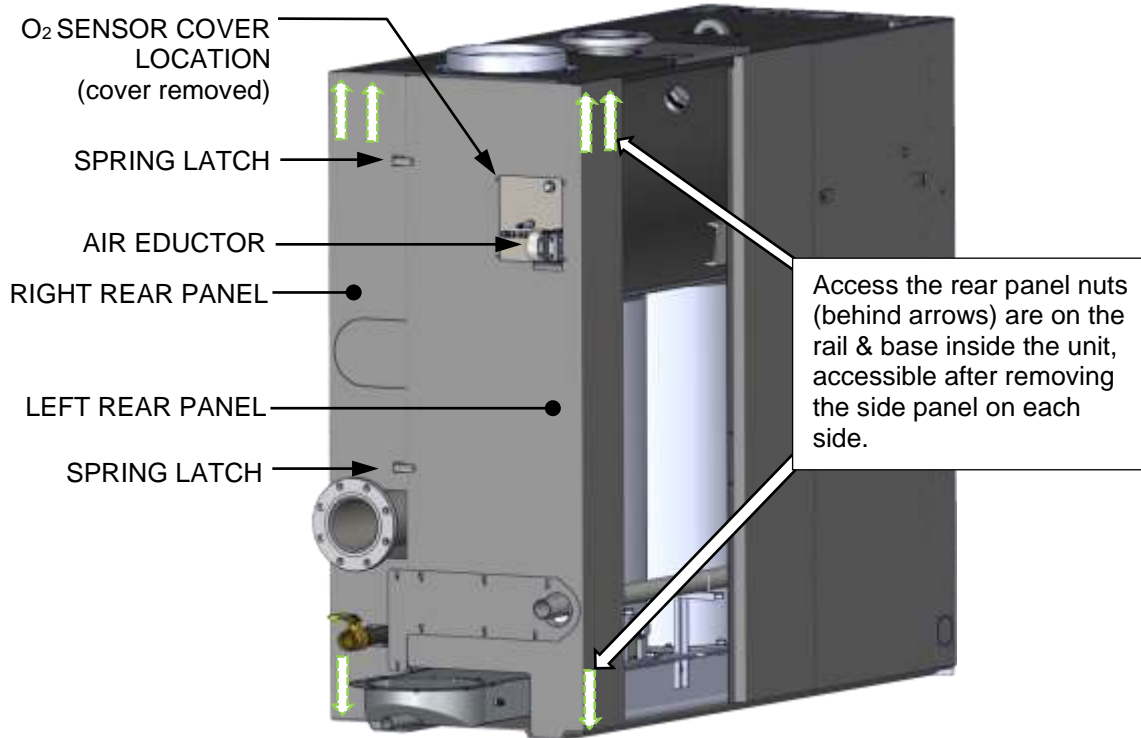


Figure 4-7: Rear View Showing Rear Panel Nut & Latch Locations

- Loosen (but **DO NOT REMOVE**) the top nut and slide a thin metal object (such as a hacksaw blade) between the rear plate and the fiber material of the rear refractory to separate the material from the plate.

CAUTION!

The rear plate weighs approximately 40 pounds. It is therefore recommended that 2 people remove the plate.

- Remove the top nut from the plate and remove it from the unit.
- Optionally, you can thread 2 small nipples into the rear plate to act as handles, which will ease removal and reinstallation.
- Refer to Figure 4-8 and note the position of the rear refractory. Prior to refractory removal, mark as necessary using a permanent marker or tape.
- Gently pull on the two opposing metal tabs located on the outer edge of the fiber blanket, then alternately pull on the other two opposing tabs. Continue this process until the fiber refractory package can be removed from the combustion chamber. Be careful not to drop or damage the refractory.
- Place the fiber insulation package, metal face down, in a safe location to avoid damage.
- The combustion chamber can now be viewed and inspected with a full view of the Burner assembly and rear tubesheet. A borescope can be used to inspect the front tubesheet as well as under the expansion joints.
- Following inspection, reinstall the components in the reverse order in which they were removed.

Rear Refractory Replacement Instructions

IMPORTANT!

If the rear refractory (P/N 83027) was damaged during removal, it should be replaced with a new part. If rear refractory replacement is required, a 2 hour burn-in period at a 30% fire rate must be performed to drive off organic binders. These organic binders are not hazardous materials, however they may emit an odor similar to burning wood.

17. Tighten the bolts on the rear plate using an alternating pattern to ensure a uniform seal. Torque bolts to approximately **20 ft-lbs**.
18. To avoid exhaust leaks, ensure that a uniform seal is established when reconnecting the flue system to the boiler.

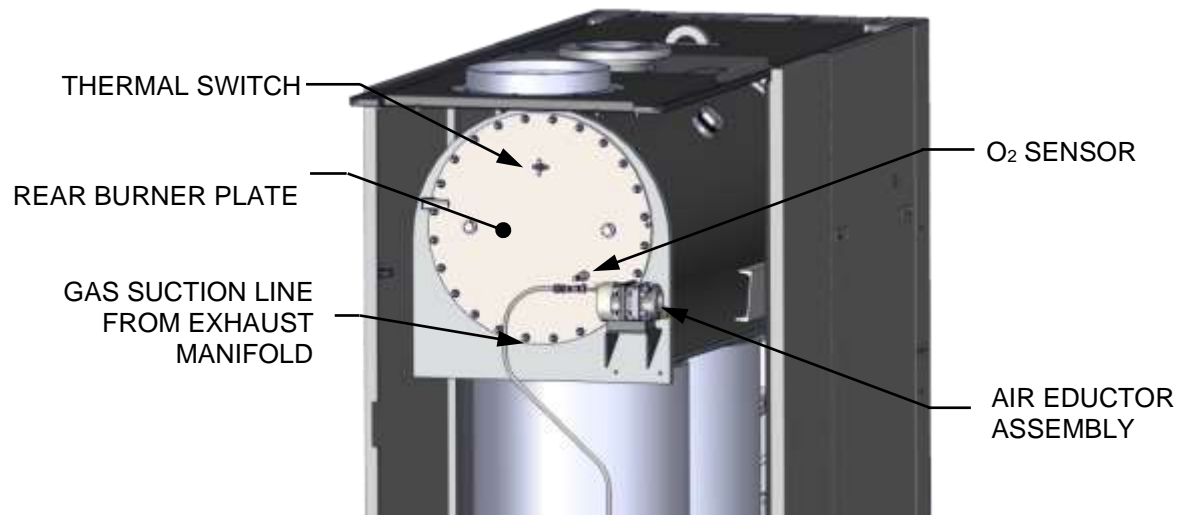


Figure 4-8: Partial Rear View Showing Rear Burner Plate

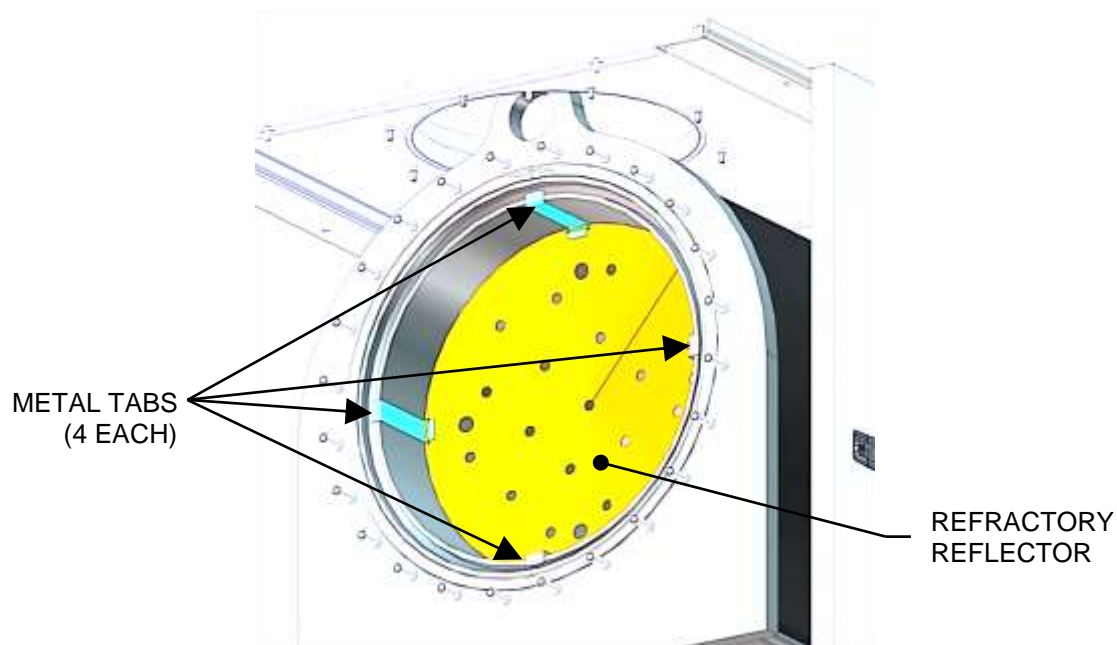


Figure 4-9: Partial Rear View – Rear Plate and Refractory Removed

Rear Refractory Replacement Instructions**WARNING!**

The heat exchanger insulation utilizes ceramic fiber material. Wear a fitted NIOSH-approved particulate respirator (3m n95 or equiv.) When servicing the heat exchanger and burner assemblies. At high temperatures, ceramic fibers can be converted to crystalline silica fibers which have been identified as carcinogenic when inhaled.

4.8.2 Front Refractory Replacement

As previously mentioned, it is much easier to remove the rear refractory to inspect the combustion chamber of the unit.

However if the front refractory must be replaced, order the AERCO Front Refractory Replacement kit, P/N **27103**, which includes full instructions in Technical Instruction Document TID-0117. In addition AERCO provides a Front Refractory Replacement Tool Kit, P/N **27105**, which includes tools and safety equipment useful in replacing the front refractory.

4.9 CONDENSATE DRAIN TRAP

Benchmark boilers contain a condensate trap (P/N **24441**), located external to the unit and attached to the drain connection from the exhaust manifold (the location on the unit is shown in Figure 2-8 of the *Benchmark 5000 – 6000 Installation and Startup Guide, OMM-0123 (GF-207)*. This trap should be inspected and cleaned in accordance with the maintenance schedule shown in Table 4-1 to ensure proper operation.

To inspect and clean the trap, proceed as follows:

Condensate Drain Trap Maintenance Instructions

1. Disconnect the external condensate trap by loosening and then removing connections on the inlet and outlet sides of the condensate trap (see Figure 4-10).
2. Loosen the four (4) thumbscrews securing the trap’s cover and then remove the cover and the O-ring from under the cover.
3. Remove the float and then thoroughly clean the trap and float. Also inspect the drain piping for blockage. If the trap cannot be thoroughly cleaned, replace the entire trap (P/N **24441**).
4. Replace the float, install the O-ring (P/N **84017**), and then replace the trap cover.
5. Reassemble all piping and hose connections to the condensate trap inlet and outlet.

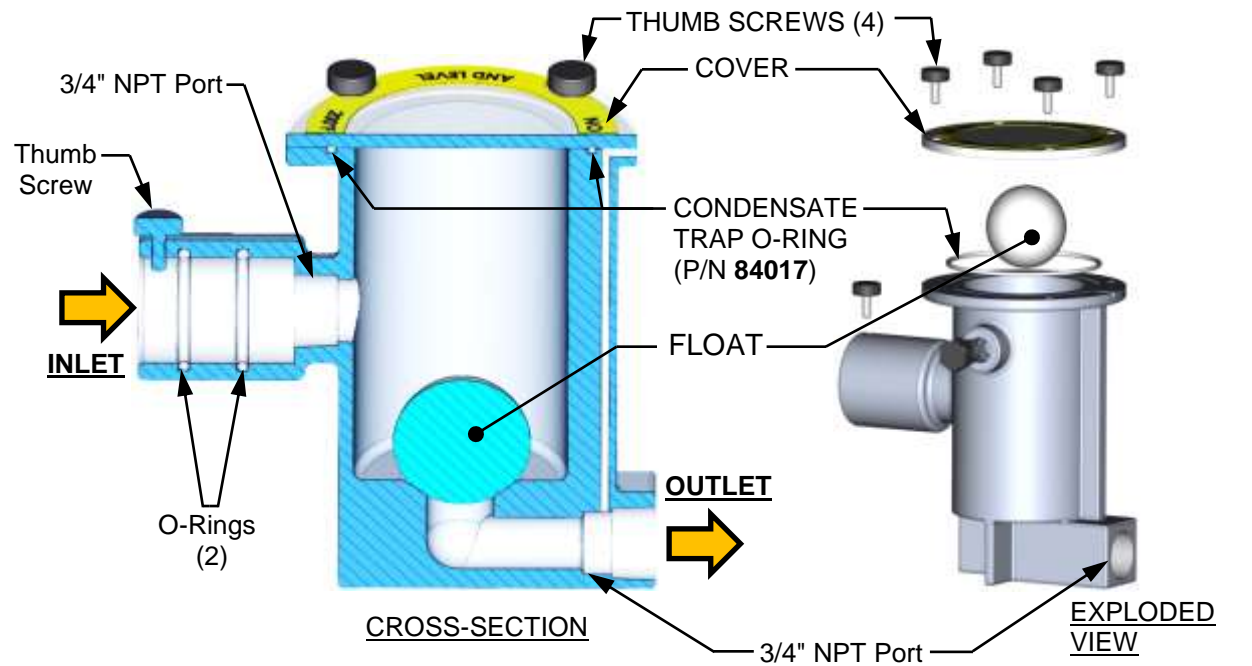


Figure 4-10: External Condensate Trap – Cross-Section & Exploded View

4.10 AIR FILTER CLEANING and REPLACEMENT

Benchmark 5000 and 6000 boilers are equipped with two air filters which should be cleaned and re-oiled every 12 months (Cleaning Kit P/N **58041**) and replaced every 24 months (P/N **88014**). The air filter is located at the air fuel valve inlet, as shown in Figure 4-11.

To inspect/replace the air filter, proceed as follows:

Air Filter Cleaning and Replacement Instructions

1. Set the C-More Controller's ON/OFF switch to the **OFF** position. Disconnect AC power from the unit.
2. Remove the front panel from the unit by grasping the handles and pulling outward.
3. Refer to Figure 4-11 and locate the air filters attached to the WYE duct connected to the air/fuel valve inlet.
4. Using a flat-tip screwdriver or 5/16" nut driver, loosen the clamp securing the filter to the WYE duct at the air/fuel valve inlet. Remove the filter and clamp.
5. The filters may be cleaned in hot soapy water to remove oil and dirt. The filter should be thoroughly dried and then sprayed with a light coating of oil, (**NOT** WD-40), prior to reinstallation.
6. Each replacement air filter is equipped with its own clamp. Therefore, simply install the replacement air filter on WYE duct and tighten the clamp with a flat-tip screwdriver or 5/16" nut driver.
7. Replace the front panel on the unit and return boiler to service use.

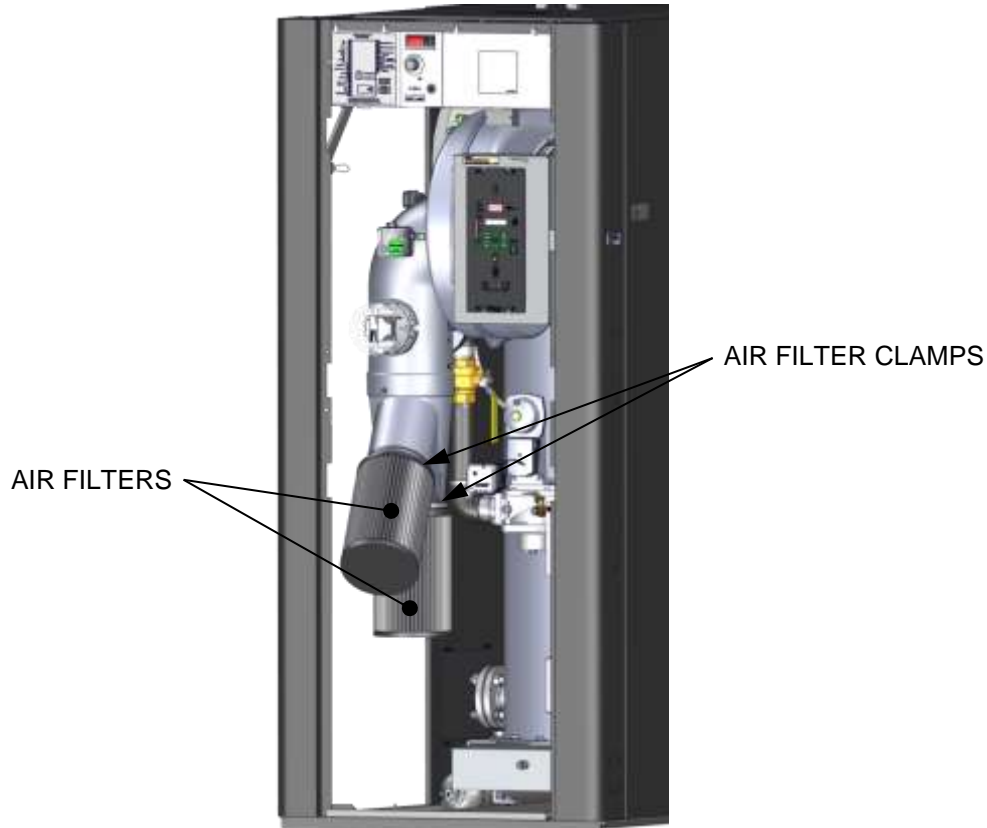


Figure 4-11: Air Filter Location

4.11 LOW WATER CUTOFF (LWCO) CAPACITOR TEST

The LWCO capacitor (P/N 69126 – Replacement Kit) should be tested for electrical shorts every 12 months and replaced, then tested, every 24 months. The LWCO capacitor integrity test consists of two parts as described in the next two sections. The first procedure explains how to test for electrical shorting of the LWCO probe capacitor, while the second procedure instructs how to perform the standard Low Water Cutoff test using the C-More Controller.

Figure 4-12 shows an illustration of a typical LWCO probe assembly installation.

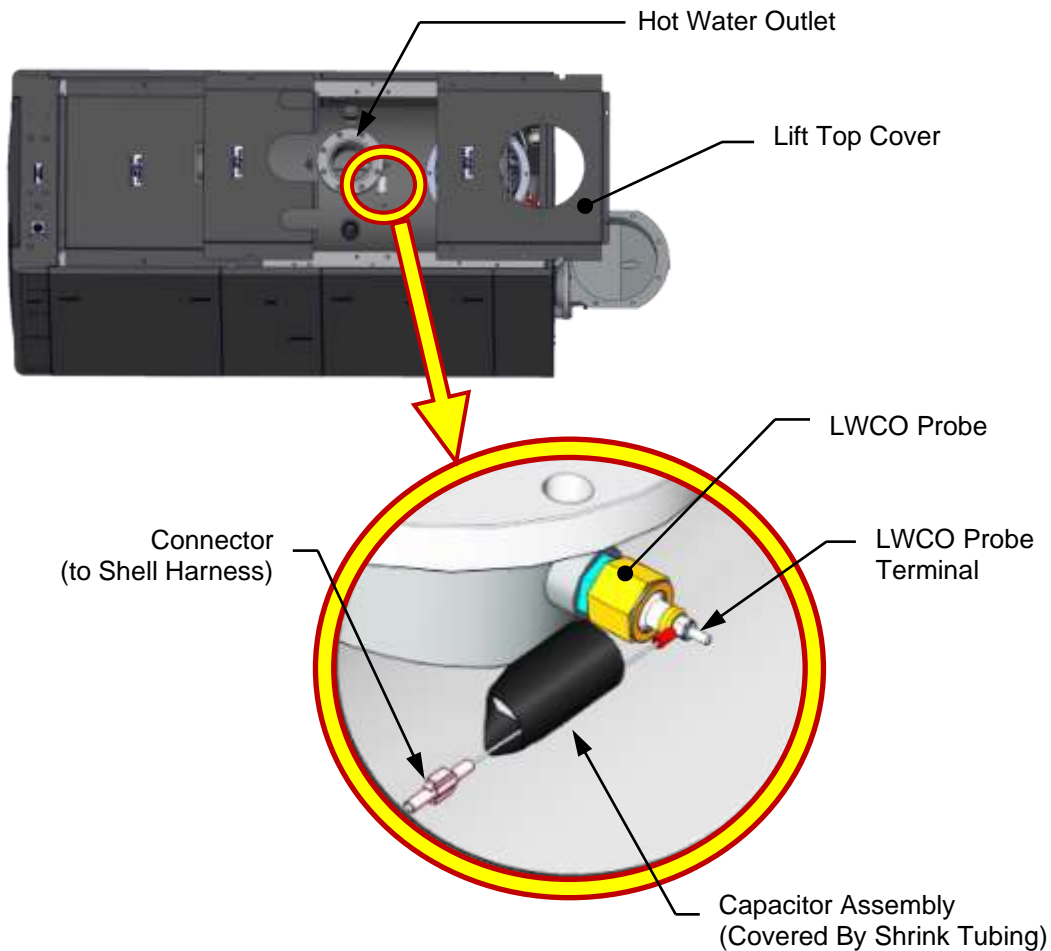


Figure 4-12: LWCO Probe Location

4.11.1 Low Water Cutoff (LWCO) - Capacitor Electrical Short Test

This test determines if there is an electrical short between the LWCO capacitor and the heat exchanger. Perform the capacitor electrical short test as described below.

Low Water Cutoff – Capacitor Electrical Short Test Instructions

1. Turn the AC power to the unit to **OFF**.

WARNING!

High voltages are used to power these units and so it is required that power applied to these units is removed first before performing the procedure described in this instruction. Serious personal injury or death may occur if this warning is not observed.

2. Remove the Shell Harness Cable (male) connector from the P-5 (female) connector on the rear panel of the C-More Controller (see Figure 4-13).

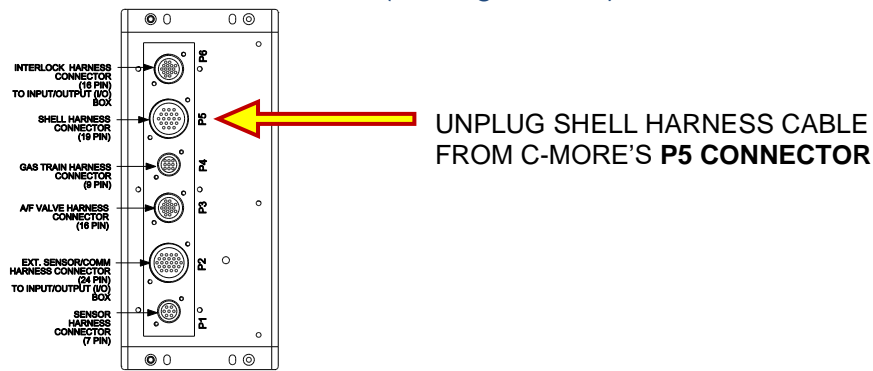


Figure 4-13: Removing Shell Harness Cable from C-More's Rear Panel

3. Using an ohmmeter, connect one ohmmeter probe to the LWCO capacitor terminal on the unit shell as shown on left in Figure 4-14.
4. Connect the second ohmmeter probe to Pin #6 of Shell Harness Connector (removed from the C-More Controller) as shown on right in Figure 4-14.

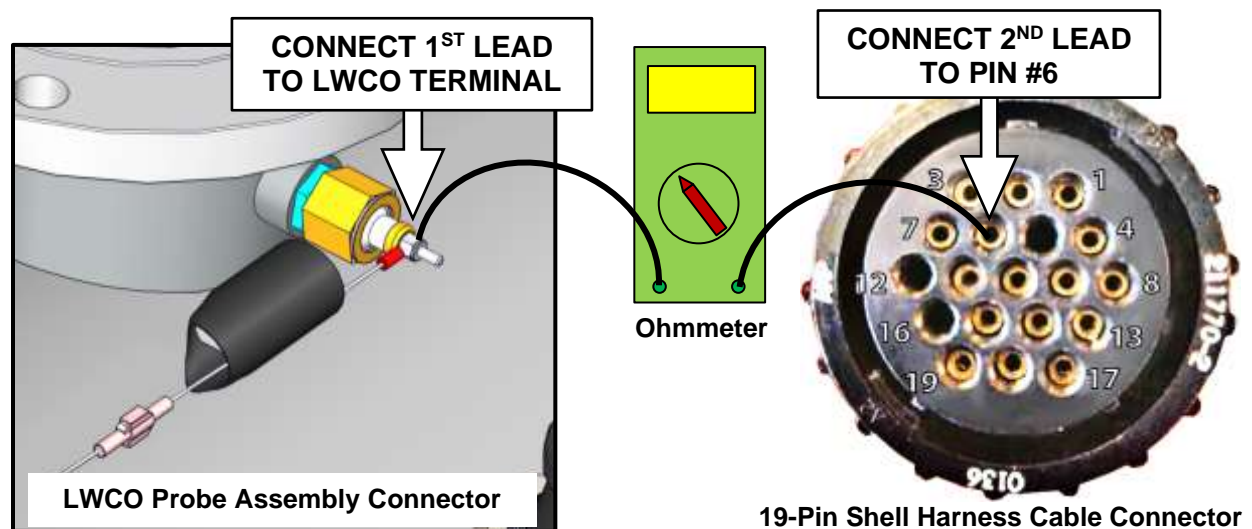


Figure 4-14: Connecting Ohmmeter between LWCO Probe & Shell Harness Cable

Low Water Cutoff – Capacitor Electrical Short Test Instructions

5. Confirm that the ohmmeter does NOT read a short.

NOTE: If the ohmmeter reads a short, the capacitor assembly needs to be replaced. Refer to document TID-0096, provided with the 24-month maintenance kit, for LWCO replacement instructions.

6. Remove both ohmmeter probes and reconnect the Shell Harness connector to the P5 connector on the rear of the C-More Controller.

4.11.2 Low Water Cutoff (LWCO) - Standard C-More Controller Test

Perform the standard Low Water Cutoff test using the C-More Controller as described below.

Low Water Cutoff (LWCO) - Standard C-More Test Instructions

1. Turn the AC power to the unit to the **ON** position.
2. Press the TEST switch on the C-More Controller and confirm that the blinking *LOW WATER LEVEL* message appears on the C-More display within 4 seconds.
3. Press the RESET key, followed by the **Clear** button, and confirm that the *LOW WATER LEVEL* message is cleared.

4.12 SHUTTING BOILER DOWN FOR EXTENDED PERIOD

If the boiler is to be taken out of service for an extended period of time (one year or more), the following instructions must be followed.

Shutting Boiler Down For An Extended Period Instructions

1. Set ON/OFF switch on the front panel to the **OFF** position to shut down the boiler's operating controls.
2. Disconnect AC power from the unit.
3. Close the water supply and return valves to isolate boiler.
4. Close external gas supply valve.
5. Open relief valve to vent water pressure.
6. Open the drain valve and drain all water from the unit.
7. Refer to Appendix J for maintenance of blower during shut down.

4.13 PLACING THE BOILER BACK IN SERVICE AFTER A PROLONGED SHUTDOWN

After a prolonged shutdown (one year or more), the following procedures must be followed:

Placing the Boiler Back In Service After Prolonged Shutdown Instructions

Placing the Boiler Back In Service After Prolonged Shutdown Instructions

1. Review installation requirements included in Section 2 of the Benchmark 5000 – 6000 Installation and Startup Guide, OMM-0123 (GF-207).
2. Inspect all piping and connections to the unit.
3. Inspect exhaust vent and air inlet duct work (if applicable).
4. Perform initial startup procedures in Section 4: Initial Startup of the Benchmark 5000 – 6000 Installation and Startup Guide, OMM-0123 (GF-207).
5. Perform safety device testing procedures in Section 5: Safety Device Testing of the Benchmark 5000 – 6000 Installation and Startup Guide, OMM-0123 (GF-207).
6. Perform scheduled maintenance procedures as described in Section 4: *Maintenance* of this guide.

IMPORTANT!

The blower can be damaged if it is unused for a prolonged period of time. If this occurs, it is critical that you complete the instructions for Long Term Blower Storage in Appendix J. Failure to complete these instructions will void all warranties.

4.14 GAS VALVE ACTUATOR REPLACEMENT

If you need to replace the gas valve actuator, see TID-0092 for Actuator Replacement Kit P/N 27086-TAB. If you are replacing a newer actuator (P/N 124138), the wiring is unchanged.

However, complete the instructions below **only if you are replacing an older actuator** (P/N 69171, shown in Figure 4-15 below) to change the wiring to accept the new actuator.

Changing The Wiring From Old To New Gas Valve Actuator Instructions

- Remove the new actuator cover, punch out the holes in the plastic to accommodate the wiring, then insert the wires through wire conduit and wire it as follows:
 - Wire Terminals 4, 5, N, N, L and L identically to the old actuator.
 - Remove & dispose of the two wires attached to Terminals 1 and 2 and wire nut, and the wire connecting Terminal 3 to the Low Gas Pressure Switch (three dashed lines).

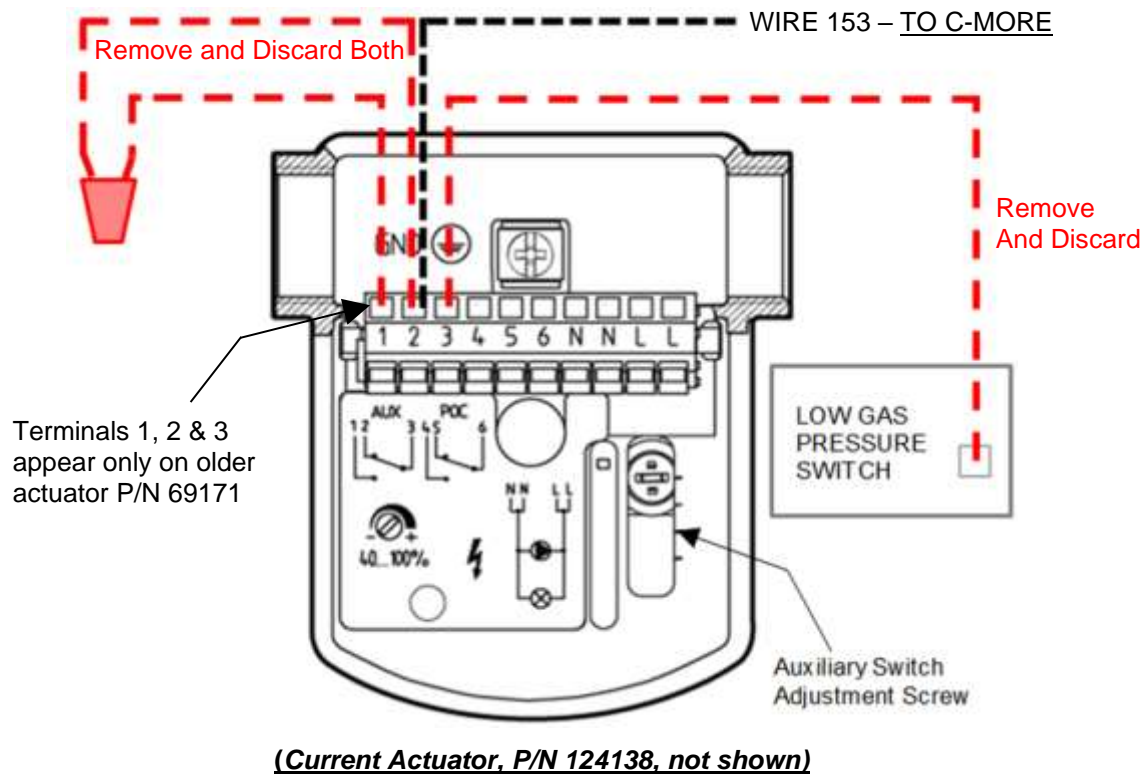


Figure 4-15: Wiring Compartment on Older Actuator (P/N 69171)

- Disconnect Wire 153 (dotted line) from Terminal 3 and connect it to the Low Gas Pressure Switch.

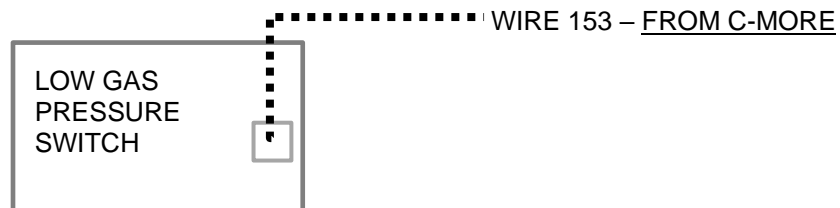


Figure 4-16: Wiring Diagram After Replacing Actuator

SECTION 5: TROUBLESHOOTING GUIDE

5.1 INTRODUCTION

This troubleshooting guide is intended to aid service/maintenance personnel in isolating the cause of a fault in Benchmark boilers. The troubleshooting procedures contained herein are presented in tabular form on the following pages. These tables are comprised of three columns labeled: Fault Indication, Probable Cause and Corrective Action. The numbered items in the Probable Cause and Corrective Action columns correspond to each other. For example, Probable Cause No. 1 corresponds to Corrective Action No. 1, etc.

When a fault occurs in the unit, proceed as follows to isolate and correct the fault:

Fault Correction Instructions
<ol style="list-style-type: none"> 1. Observe the fault messages displayed in the C-More Controller display. 2. Refer to the Fault Indication column in Troubleshooting Table 5-1 which follows and locate the Fault that best describes the existing conditions. 3. Proceed to the Probable Cause column and start with the first item (1) listed for the Fault Indication. 4. Perform the checks and procedures listed in the Corrective Action column for the first Probable Cause candidate. 5. Continue checking each additional Probable Cause for the existing fault until the fault is corrected. 6. Section 5.2 and Table 5-2 contain additional troubleshooting information which may apply when a no fault message is displayed.

If the fault cannot be corrected using the information provided in the Troubleshooting Tables, contact your local AERCO Representative.

NOTE: The front panel of the C-More Controller contains an RS232 port. This port is used only by factory-trained personnel to monitor onAER communications via a portable computer.

(This page intentionally blank)



TABLE 5-1: Boiler Troubleshooting Procedures		
FAULT INDICATION	PROBABLE CAUSES	CORRECTIVE ACTION
AIRFLOW FAULT DURING IGNITION	<ol style="list-style-type: none"> 1. Blower stopped running due to thermal or current overload. 2. Blocked Blower inlet or inlet air filter. 3. Blockage in Blower Proof switch. 4. Blockage in Blocked Inlet switch. 5. Defective Blower Proof switch. 6. Defective Blocked Inlet switch. 7. Loose temperature to AUX connection in I/O Box. 8. Defective temperature sensor. 9. Loose wire connection between the 0-10V signal from I/O box to the Blower input. 10. Defective I/O Box. 11. Wrong 0-10V output selection on the C-More Controller. 12. Defective Air-Fuel Valve potentiometer. 13. Hard light. 	<ol style="list-style-type: none"> 1. Check combustion blower for signs of excessive heat or high current drain that may trip thermal or current overload devices. 2. Inspect the inlet to the combustion blower including the air filter at the air/fuel valve for signs of blockage. 3. Remove the Blower Proof switch and inspect for signs of blockage, clean or replace as necessary. 4. Remove the Blocked Inlet switch and inspect for signs of blockage, clean or replace as necessary. 5. Check the continuity of the Blower Proof switch with the combustion blower running. If there is an erratic resistance reading or the resistance reading is greater than zero ohms, replace the switch. 6. Turn off unit and check the continuity of the Blocked Inlet switch. If there is an erratic resistance reading or the resistance reading is greater than zero ohms, replace the switch. 7. Check the actual inlet air temperature and measure voltage at AUX input in the I/O Box. Verify that the voltage conforms to the values shown in the tabular listing provided in Appendix C. 8. Refer to CORRECTIVE ACTION 7 and verify that the voltage conforms to the values shown in Appendix C. 9. Check wire connection from I/O Box 0-10V signal to the Blower Motor. 10. Measure voltage at the I/O box 0-10V output. A voltage of 10V equates to a 100% open valve position. 11. Check the <i>Analog Out</i> option on the C-More <i>Configuration</i> menu. Valve Position 0-10V should be selected. 12. Check Air/Fuel Valve position at 0%, 50% and 100% open positions. The positions on the VALVE POSITION bargraph should match the readings on the Air/Fuel Valve dial. 13. Check igniter-injector for soot or erosion of electrode. Check injector solenoid valve to insure proper open/close operation.

TABLE 5-1: Boiler Troubleshooting Procedures		
FAULT INDICATION	PROBABLE CAUSES	CORRECTIVE ACTION
AIRFLOW FAULT DURING PURGE	<ol style="list-style-type: none"> 1. Blower not running or running too slow. 2. Defective Blocked Inlet switch. 3. Blockage in air filter or Blocked Inlet switch. 4. Blocked blower inlet or inlet ductwork. 5. No voltage to Blocked Inlet switch from C-More Controller. 6. Probable Causes items 3 to 12 for AIRFLOW FAULT DURING IGNITION apply for this fault. 	<ol style="list-style-type: none"> 1. Start the unit. If the blower does not run check the blower solid state relay for input and output voltage. If the relay is OK, check the blower. 2. Start the unit. If the blower runs, turn off unit and check the Blocked Inlet switch for continuity. Replace the switch if continuity does not exist. 3. Remove the air filter and Blocked Inlet switch and inspect for signs of blockage. Clean or replace as necessary. 4. Inspect the inlet to the combustion blower including any ductwork leading up to the combustion blower for signs of blockage. 5. During the start sequence, verify that 24 VAC is present between each side of the switch and ground. If 24 VAC is not present, refer fault to qualified service personnel. 6. See AIRFLOW FAULT DURING IGNITION Corrective Actions, items 3 to 12.
AIRFLOW FAULT DURING RUN	<ol style="list-style-type: none"> 1. Blower stopped running due to thermal or current overload. 2. Blocked Blower inlet or inlet ductwork. 3. Blockage in air filter or Blocked Inlet switch. 4. Defective Blocked Inlet switch. 5. Combustion oscillations. 6. Probable causes from 3 to 16 for AIRFLOW FAULT DURING IGNITION applies for this fault. 	<ol style="list-style-type: none"> 1. Check combustion blower for signs of excessive heat or high current draw that may trip thermal or current overload devices. 2. Inspect the inlet to the combustion blower, including any ductwork leading up to the combustion blower, for signs of blockage. 3. Remove the air filter and Blocked Inlet switch and inspect for signs of blockage, clean or replace as necessary. 4. Verify that 24 VAC is present between each side of the switch and ground. If 24 VAC is not present at both sides, replace switch. 5. Run unit to full fire. If the unit rumbles or runs rough, perform combustion calibration. 6. See CORRECTIVE ACTIONS from 3 to 12 for AIRFLOW FAULT DURING IGNITION.

TABLE 5-1: Boiler Troubleshooting Procedures		
FAULT INDICATION	PROBABLE CAUSES	CORRECTIVE ACTION
DELAYED INTERLOCK OPEN	<ol style="list-style-type: none"> 1. Delayed Interlock Jumper not properly installed or missing. 2. Device proving switch hooked to interlocks is not closed. 	<ol style="list-style-type: none"> 1. Check to insure jumper is properly installed across the delayed interlock terminals in the I/O Box. 2. If there are 2 external wires on these terminals, check to see if an end switch for a proving device (such as a pump, louver, etc.) is tied these interlocks. Ensure that the device and/or its end switch is functional. A jumper may be temporarily installed to test the interlock.
DIRECT DRIVE SIGNAL FAULT	<ol style="list-style-type: none"> 1. Direct drive signal is not present: <ul style="list-style-type: none"> --Not yet installed. --Wrong polarity. --Signal defective at source. --Broken or loose wiring. 2. Signal is not isolated (floating). 3. C-More Controller signal type selection switches not set for correct signal type (voltage or current). 	<ol style="list-style-type: none"> 1. Check I/O Box to ensure signal is hooked up. <ul style="list-style-type: none"> --Hook up if not installed. --If installed, check polarity. --Measure signal level. --Check wiring continuity between source and unit. 2. Check signal at source to ensure it is isolated. 3. Check DIP switch on PMC board to ensure it is set correctly for the type of signal being sent. Check control signal type set in <i>Configuration</i> menu.
FLAME LOSS DURING IGN NOTE: Before starting the Probable Causes and Corrective Action for this fault, refer to the Flow Chart provided in Figure 5-4 at the end of this Chapter.	<ol style="list-style-type: none"> 1. Worn Flame Detector. 2. No spark from Spark Igniter. 3. Defective Ignition Transformer. 4. Defective Ignition/Stepper (IGST) Board. 5. Defective SSOV. 6. Pilot Scanner failed 	<ol style="list-style-type: none"> 1. Remove and inspect the Flame Detector for signs of wear. Replace if necessary. 2. Close the internal gas valve in the unit. Install and arc a spark igniter outside the unit. 3. If there is no spark, check for 120VAC at the primary side to the ignition transformer during the ignition cycle. 4. If 120VAC is not present, the IGST Board in the C-More Controller may be defective. Refer fault to qualified service personnel. 5. While externally arcing the spark igniter, observe the open/close indicator in the Safety Shut-Off Valve to ensure it is opening. If the valve does not open, check for 120VAC at the valve input terminals. If 120VAC is not present, the IGST board in the C-More Controller may be defective. Refer fault to qualified service personnel. 6. Check scanner Red LED. It should change from flashing to steady when pointed at a small flame from a match or lighter.

TABLE 5-1: Boiler Troubleshooting Procedures		
FAULT INDICATION	PROBABLE CAUSES	CORRECTIVE ACTION
FLAME LOSS DURING IGN (continued)	<ul style="list-style-type: none"> 7. Pilot View Port is blocked. 8. Carbon or other debris on Burner. 9. Pilot gas valve is closed. 10. Pilot ignition solenoid valve does not open. 11. Clogged Pilot ignition piece 	<ul style="list-style-type: none"> 7. Remove and clean Pilot View Port. Also, ensure that the hole in the refractory is clear. 8. Remove View-Port and inspect Burner with Boroscope. If it is fouled or black with soot, remove the Burner and inspect for any carbon build-up or debris. Clean and reinstall. 9. Open the Pilot gas valve on the upstream side of the SSOV (see Figure 5-1). 10. When unit goes to ignition, listen for a clicking sound at the Pilot ignition solenoid valve to ensure it is opening. 11. Remove and inspect the ignition piece for blockage.
FLAME LOSS DURING RUN	<ul style="list-style-type: none"> 1. Worn Flame Detector or cracked ceramic. 2. Defective Regulator. 3. Poor combustion calibration. 4. Debris on burner. 5. Blocked condensate drain. 6. Main Flame Detector is touching burner mesh. 	<ul style="list-style-type: none"> 1. Remove and inspect the Flame Detector for signs of wear or cracked ceramic. Replace if necessary. 2. Check gas pressure readings using a gauge or manometer into and out of the Air/Fuel Valve to ensure that the gas pressure into and out of the valve is correct. 3. Check combustion calibration using procedures in Section 4.5 of the <i>Benchmark 5000 – 6000 Installation and Startup Guide, OMM-0123 (GF-207)</i>. 4. Remove the burner and inspect for any carbon build-up or debris. Clean and reinstall. 5. Remove blockage in condensate drain. 6. Straighten or replace Main Flame Detector
HEAT DEMAND FAILURE	<ul style="list-style-type: none"> 1. The Heat Demand Relays on the Ignition/Stepper (IGST) board failed to activate when commanded. 2. Relay is activated when not in Demand. 	<ul style="list-style-type: none"> 1. Press CLEAR button and restart the unit. If the fault persists, replace Ignition/Stepper (IGST) Board. 2. Defective relay. Replace IGST Board.
HIGH EXHAUST TEMPERATURE	<ul style="list-style-type: none"> 1. Poor combustion calibration. 2. Carboned heat exchanger due to incorrect combustion calibration. 	<ul style="list-style-type: none"> 1. Check combustion calibration using procedures in Section 4.5 of the <i>Benchmark 5000 – 6000 Installation and Startup Guide, OMM-0123 (GF-207)</i>. 2. If exhaust temperature is greater than 200° F (93.3°C), check combustion calibration. Calibrate or repair as necessary.

TABLE 5-1: Boiler Troubleshooting Procedures		
FAULT INDICATION	PROBABLE CAUSES	CORRECTIVE ACTION
GAS PRESSURE FAULT (Due to High Gas Pressure)	<ol style="list-style-type: none"> 1. Incorrect supply gas pressure. 2. Defective SSOV Actuator. 3. Defective High Gas Pressure switch. 	<ol style="list-style-type: none"> 1. Check to ensure gas pressure at inlet of SSOV does not exceed 14” W.C. (3487 Pa) 2. If NATURAL GAS supply pressure downstream of SSOV Actuator cannot be lowered using the gas pressure adjustment screw to the range specified in the <i>Benchmark 5000 – 6000 Installation and Startup Guide, OMM-0123 (GF-207)</i>, Section 4.5.1, Table 4-1 (Natural Gas) or Section 4.5.2, Table 4-4 (Propane), the SSOV Actuator may be defective. 3. Remove the leads from the High Gas Pressure switch. Measure continuity across the common (C) and normally closed (NC) terminals with the unit not firing. Replace the switch if continuity does not exist.
HIGH WATER TEMP SWITCH OPEN	<ol style="list-style-type: none"> 1. Faulty Water temperature switch. 2. Incorrect PID settings. 3. Faulty shell temperature sensor. 4. Unit in MANUAL mode. 5. Unit setpoint is greater than Over Temperature switch setpoint. 6. System flow rate changes are occurring faster than units can respond. 7. Refractory failure. 8. VFD is in “Local” mode, or voltage dropped below threshold. 	<ol style="list-style-type: none"> 1. Test the temperature switch to insure it trips at its actual water temperature setting. 2. Check PID settings against menu default settings in Section 2, above. If the settings have been changed, record the current readings then reset them to the default values. 3. Using the resistance charts in the Appendix C, Measure the resistance of Shell sensor and BTU sensor at a known water temperature. 4. If unit is in MANUAL mode, switch to AUTO mode. 5. Check setpoint of unit and setpoint of Temperature switch; Ensure that the temperature switch is set higher than the unit’s setpoint. 6. If the system is a variable flow system, monitor system flow changes to ensure that the rate of flow change is not faster than what the units can respond to. 7. Refractory temperature switches on the end plates are in series with the water temperature limit control to shut down the boiler if the end plates get too hot. Replace the refractory at the hottest end plate. 8. Check incoming voltage, set VFD to “Remote” mode.

TABLE 5-1: Boiler Troubleshooting Procedures		
FAULT INDICATION	PROBABLE CAUSES	CORRECTIVE ACTION
HIGH WATER TEMPERATURE	<ol style="list-style-type: none"> 1. See HIGH WATER TEMPERATURE SWITCH OPEN. 2. Temp HI Limit setting is too low. 	<ol style="list-style-type: none"> 1. See HIGH WATER TEMPERATURE SWITCH OPEN. 2. Check Temp HI Limit setting.
IGN BOARD COMM FAULT	<ol style="list-style-type: none"> 1. Communication fault has occurred between the PMC board and Ignition/Stepper (IGST) board. 	<ol style="list-style-type: none"> 1. Press CLEAR button and restart unit. If fault persists, contact qualified Service Personnel.
IGN SWTCH CLOSED DURING PURGE	<ol style="list-style-type: none"> 1. Air/Fuel Valve not rotating. 2. Defective or shorted switch. 3. Switch wired incorrectly. 4. Defective Power Supply Board or fuse. 5. Defective IGST Board. 	<ol style="list-style-type: none"> 1. Start the unit. The Air/Fuel Valve should rotate to the purge (open) position. If the valve does not rotate at all or does not rotate fully open, check the Air/Fuel Valve calibration. If calibration is okay, the problem may be in the Air-Fuel Valve or the C-More Controller. Refer to qualified service personnel. 2. If the Air/Fuel Valve does rotate to purge, check the ignition switch for continuity between the N.O. and COM terminals. If the switch shows continuity when not in contact with the cam replace the switch. 3. Check to ensure that the switch is wired correctly (correct wire numbers on the normally open terminals). If the switch is wired correctly, replace the switch. 4. Check DS1 & DS2 LEDs on Power Supply Board. If they are not steady ON, replace Power Supply Board. 5. Check “Heartbeat” LED DS1 and verify it is blinking ON & OFF every second. If not, replace IGST Board.

TABLE 5-1: Boiler Troubleshooting Procedures		
FAULT INDICATION	PROBABLE CAUSES	CORRECTIVE ACTION
IGN SWTCH OPEN DURING IGNITION	<ol style="list-style-type: none"> Air/Fuel Valve not rotating to ignition position. Defective Ignition switch. Defective Power Supply Board or fuse. Defective IGST Board. 	<ol style="list-style-type: none"> Start the unit. The Air/Fuel Valve should rotate to the purge (open) position, then back to ignition position (towards closed) during the ignition cycle. If the valve does not rotate back to the ignition position, check the Air/Fuel Valve calibration. If calibration is okay, the problem may be in the Air/Fuel Valve or the C-More Controller. Refer fault to qualified service personnel. If the Air/Fuel Valve does rotate to the ignition position, check the ignition position switch for continuity between the N.O. and COM terminals when in contact with the cam. Check DS1 & DS2 LEDs on Power Supply Board. If they are not steady ON, replace Power Supply Board. Check “Heartbeat” LED DS1 and verify it is blinking ON & OFF every second. If not, replace IGST Board.
INTERLOCK OPEN	<ol style="list-style-type: none"> Interlock jumper not installed or removed. Energy Management System does not have unit enabled. Device proving switch hooked to interlocks is not closed. 	<ol style="list-style-type: none"> Check for a jumper properly installed across the interlock terminals in the I/O box. If there are two external wires on these terminals check any Energy Management system to see if they have the units disabled (a jumper may be temporarily installed to see if the interlock circuit is functioning). Check that proving switch for any device hooked to the interlock circuit is closing and that the device is operational.
LINE VOLTAGE OUT OF PHASE	<ol style="list-style-type: none"> Line and Neutral switched in AC Power Box. Incorrect power supply transformer wiring. 	<ol style="list-style-type: none"> Check hot and neutral in AC Power Box to ensure they are not reversed. Check transformer wiring, in AC Power Box, against the power box transformer wiring diagram to ensure it is wired correctly.
GAS PRESSURE FAULT (Due to Low Gas Pressure)	<ol style="list-style-type: none"> Incorrect supply gas pressure. Defective Low Gas Pressure switch. 	<ol style="list-style-type: none"> Measure NATURAL GAS pressure upstream of the SSOV Actuator(s) with the unit firing. The minimum is 14” W.C. (3.5 kPa), although the BMK 6000 can operate with derating at 11” W.C. (2.7 kPa) and the BMK 5000 can operate with derating at 10” W.C. (2.5 kPa) . Measure NATURAL GAS pressure at the Low Gas Pressure switch. If it is greater than 10” W.C. (2.5 Pa), measure continuity across the switch and replace if necessary.

TABLE 5-1: Boiler Troubleshooting Procedures		
FAULT INDICATION	PROBABLE CAUSES	CORRECTIVE ACTION
LOW WATER LEVEL	<ol style="list-style-type: none"> Insufficient water level in system. Defective water level circuitry. Defective water level probe. 	<ol style="list-style-type: none"> Check system for sufficient water level. Test water level circuitry using the C-More Controller front panel LOW WATER TEST and RESET buttons. Replace water level circuitry if it does not respond. Check continuity of probe end to the shell, change probe if there is no continuity.
MODBUS COMMFAULT	<ol style="list-style-type: none"> Unit not seeing information from Modbus network. 	<ol style="list-style-type: none"> Check network connections. If fault persists, contact qualified Service Personnel.
O2 PERCENTAGE LOW	<ol style="list-style-type: none"> Dirty air filter. Blockage in the inlet air duct. Gas pressure too high. Blocked flue. Blocked condensate trap. Blower failure VFD failure 	<ol style="list-style-type: none"> Remove air filter and clean per Section 4.10, above. Inspect all sections of the duct for foreign materials. Measure the gas pressure between the SSOV and the Air/Fuel Valve. It should be 7.9" W.C. ± 0.2" W.C. (2.0 kPa ± 50 Pa). Check flue for foreign material. Check condensate trap per Section 4.9, above. Check blower rotational speed with strobe light and compare to VFD Hz output: RPM = 57.5 x Hz. Check VFD faceplate (available from AERCO after-market) using the VFD manufacturer's troubleshooting documentation.
O2 SENSOR MALFUNCTION	<ol style="list-style-type: none"> O₂ % reading <-4%, or >24% 	<ol style="list-style-type: none"> Check the O₂ offset and gain values in the Calibration menu. If set to 1.0 and 1024 respectively, replace O₂ sensor
O2 % OUT OF RANGE	<ol style="list-style-type: none"> Combustion Calibration incorrect. Blocked inlet air duct or louver. 	<ol style="list-style-type: none"> Check Combustion Analyzer and recalibrate the boiler. Unblock air inlet and measure open area for combustion air to the room.
OUTDOOR TEMP SENSOR FAULT	<ol style="list-style-type: none"> Loose or broken wiring. Defective Sensor. Incorrect Sensor. 	<ol style="list-style-type: none"> Inspect Outdoor Temperature sensor for loose or broken wiring. Check resistance of sensor to determine if it is within specification. Ensure that the correct sensor is installed.

TABLE 5-1: Boiler Troubleshooting Procedures		
FAULT INDICATION	PROBABLE CAUSES	CORRECTIVE ACTION
PRG SWTCH CLOSED DURING IGNITION	<ol style="list-style-type: none"> A/F Valve rotated open to purge and did not rotate to ignition position. Defective or shorted switch. 	<ol style="list-style-type: none"> Start the unit. The Air/Fuel Valve should rotate to the purge (open) position, then back to ignition position (towards closed) during the ignition cycle. If the valve does not rotate back to the ignition position, check the Air/Fuel Valve calibration. If calibration is okay, the problem may be in the Air/Fuel Valve or the C-More Controller. Refer fault to qualified service personnel. If the Air/Fuel Valve does rotate to the ignition position, check the purge switch for continuity between the N.O. and COM terminals. If the switch shows continuity when not in contact with the cam, check to ensure that the switch is wired correctly (correct wire numbers on the normally open terminals).
PRG SWTCH CLOSED DURING IGNITION (continued)	<ol style="list-style-type: none"> Switch wired incorrectly. Defective Power Supply Board or fuse. Defective IGST Board. 	<ol style="list-style-type: none"> If the switch is wired correctly, replace the switch. Check DS1 & DS2 LEDs on Power Supply Board. If they are not steady ON, replace Power Supply Board. Check “Heartbeat” LED DS1 and verify it is blinking ON & OFF every second. If not, replace IGST Board.
PRG SWTCH OPEN DURING PURGE	<ol style="list-style-type: none"> Defective Purge switch. No voltage present at switch. Switch wired incorrectly. Defective Power Supply Board or fuse Defective IGST Board. 	<ol style="list-style-type: none"> If the air-fuel valve does rotate, check Purge switch for continuity when closing. Replace switch if continuity does not exist. Measure for 24 VAC from each side of the switch to ground. If 24VAC is not present, refer fault to qualified service personnel. Check to ensure that the switch is wired correctly (correct wire numbers on the normally open terminals). Check DS1 & DS2 LEDs on Power Supply Board. If they are not steady ON, replace Power Supply Board. Check “Heartbeat” LED DS1 and verify it is blinking ON & OFF every second. If not, replace IGST Board.
RECIRC PUMP FAILURE	<ol style="list-style-type: none"> Internal recirculation pump failed. 	<ol style="list-style-type: none"> Replace recirculation pump.

TABLE 5-1: Boiler Troubleshooting Procedures		
FAULT INDICATION	PROBABLE CAUSES	CORRECTIVE ACTION
REMOTE SETPT SIGNAL FAULT	<ol style="list-style-type: none"> Remote setpoint signal not present: Not yet installed. Wrong polarity. Signal defective at source. Broken or loose wiring. Signal is not isolated (floating) if 4 to 20 mA. C-More Controller signal type selection switches not set for correct signal type (voltage or current). 	<ol style="list-style-type: none"> Check I/O Box to ensure signal is hooked up. Hook up if not installed. If installed, check polarity. Measure signal level. Check continuity of wiring between source and unit. Check signal at source to ensure it is isolated. Check DIP switch on PMC board to ensure it is set correctly for the type of signal being sent. Check control signal type set in <i>Configuration</i> menu.
RESIDUAL FLAME	<ol style="list-style-type: none"> Defective Flame Detector. SSOV not fully closed. 	<ol style="list-style-type: none"> Replace Flame Detector. Check open/close indicator window of Safety Shut-Off Valve (SSOV) and ensure that the SSOV is fully closed. If not fully closed, replace the valve and or actuator. Close the 2" Gas Shut-Off Valve downstream of SSOV (Figure 5-1). Install a manometer or gauge at the leak detection port between the SSOV and Gas Shut Off Valve. If a gas pressure reading is observed replace the SSOV Valve and/or Actuator.
SSOV FAULT DURING PURGE	See SSOV SWITCH OPEN	
SSOV FAULT DURING RUN	<ol style="list-style-type: none"> SSOV switch closed for 15 seconds during run. 	<ol style="list-style-type: none"> Replace actuator.
SSOV RELAY FAILURE	<ol style="list-style-type: none"> SSOV relay failed on IGST board. Floating Neutral. Hot and Neutral reversed at SSOV. 	<ol style="list-style-type: none"> Press CLEAR button and restart unit. If fault persists, replace Ignition/Stepper (IGST) Board. The Neutral and Earth Ground are not connected at the source and therefore there is a voltage measured between the two. Normally this measurement should be near zero or no more than a few millivolts. Check SSOV power wiring.

TABLE 5-1: Boiler Troubleshooting Procedures		
FAULT INDICATION	PROBABLE CAUSES	CORRECTIVE ACTION
SSOV SWITCH OPEN	<ol style="list-style-type: none"> 1. Actuator not allowing for full closure of gas valve. 2. SSOV powered when it should not be. 3. Defective switch or Actuator. 4. Incorrectly wired switch. 	<ol style="list-style-type: none"> 1. Observe operation of the Safety Shut-Off Valve (SSOV) through indicator on the Valve actuator and ensure that the valve is fully and not partially closing. 2. If the SSOV never closes, it may be powered continuously. Close the gas supply and remove power from the unit. Refer fault to qualified service personnel. 3. Remove the electrical cover from the SSOV and check switch continuity. If the switch does not show continuity with the gas valve closed, either adjust or replace the switch or actuator. 4. Ensure that the SSOV Proof of Closure switch is correctly wired.
STEPPER MOTOR FAILURE	<ol style="list-style-type: none"> 1. Air/Fuel Valve out of calibration. 2. Air/Fuel Valve unplugged. 3. Loose wiring connection to the stepper motor. 4. Defective Air/Fuel Valve stepper motor. 5. Defective Power Supply Board or fuse. 6. Defective IGST Board. 	<ol style="list-style-type: none"> 1. Refer to C-More User Manual, OMM-0032 (GF-112) and perform the Stepper Feedback Calibration procedure in Section 6.2.1 in that manual. 2. Check that the Air/Fuel Valve is connected to the C-More Controller. 3. .Inspect for loose connections between the Air/Fuel Valve motor and the wiring harness. 4. Replace stepper motor. 5. Check DS1 & DS2 LEDs on Power Supply Board. If they are not steady ON, replace Power Supply Board. 6. Check “Heartbeat” LED DS1 and verify it is blinking ON & OFF every second. If not, replace IGST Board.
SSOV FAULT DURING IGNITION	<ol style="list-style-type: none"> 1. SSOV didn't open 	<ol style="list-style-type: none"> 1. Check pilot assembly for carbon buildup. 2. Check scanners sensed pilot flame. 3. Check power through ignition relay. 4. Scanners close neutral side of relay coil.

5.2 ADDITIONAL FAULTS WITHOUT SPECIFIC FAULT MESSAGES

Refer to Table 5-2 to troubleshoot faults which may occur without a specific fault message being displayed.

TABLE 5-2: Boiler Troubleshooting Procedures with No Fault Message Displayed		
OBSERVED INCIDENT	PROBABLE CAUSES	CORRECTIVE ACTION
HARD LIGHT-OFF	<ol style="list-style-type: none"> 1. Clogged/damaged Gas Injector on Igniter-Injector (Figure 5-1). 2. Defective Ignition Solenoid (Figure 5-1). 3. Pilot Regulator not calibrated correctly. 	<ol style="list-style-type: none"> 1. Disconnect the Ignition Assembly solenoid from the Gas injector Tube of the Igniter-Injector (Figure 8-1) and inspect Gas Injector to ensure it is not clogged or damaged. 2. Close the 2" Manual Shutoff Valve. Attempt to start the unit and listen for a "clicking" sound that the Ignition Solenoid makes during Ignition Trial. If "clicking" sound is not heard after 2 or 3 attempts, replace the Ignition Solenoid. 3. Refer to Section 4.5.2, above, and check the calibration of the Pilot Regulator.
FLUCTUATING GAS PRESSURE	<ol style="list-style-type: none"> 1. Gas pressure going into unit is fluctuating. 2. Damping Orifice not installed. 	<ol style="list-style-type: none"> 1. Stabilize gas pressure going into unit. If necessary, troubleshoot Building Supply Regulator. 2. Check to ensure that the Damping Orifice is installed in the SSOV Actuator shown in Figure 5-3. (For DBB Gas Trains, the Damping Orifice is installed in the downstream SSOV Actuator).
Air/Fuel Valve "hunting" at the 70% Valve Position	<ol style="list-style-type: none"> 1. IGST and Power Supply Boards in C-More Controller are outdated. 	<ol style="list-style-type: none"> 1. Check to ensure that the IGST and Power Supply Boards are Rev. E or higher.

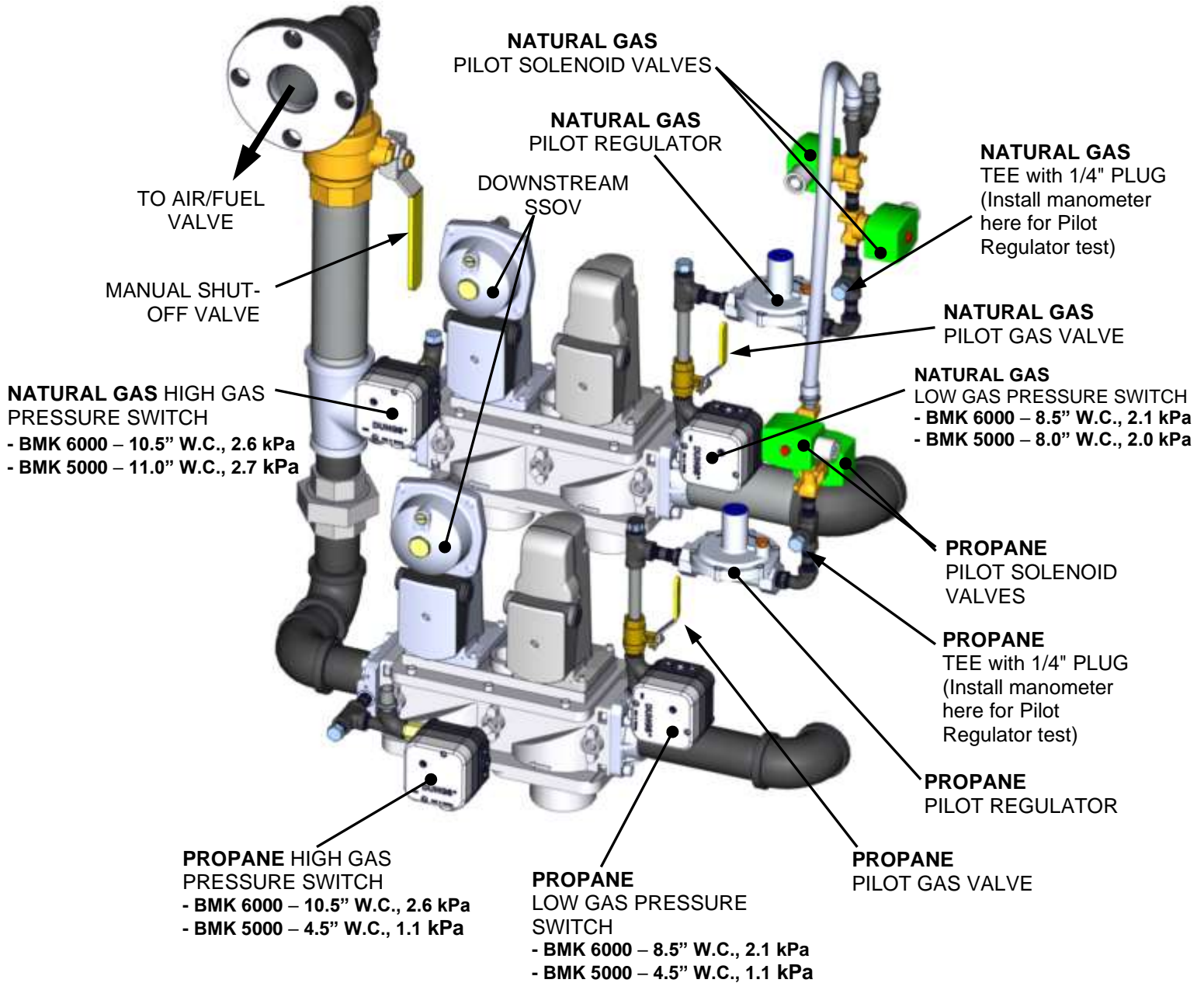


Figure 5-1: Gas Train Component and Pilot Gas Valve Location

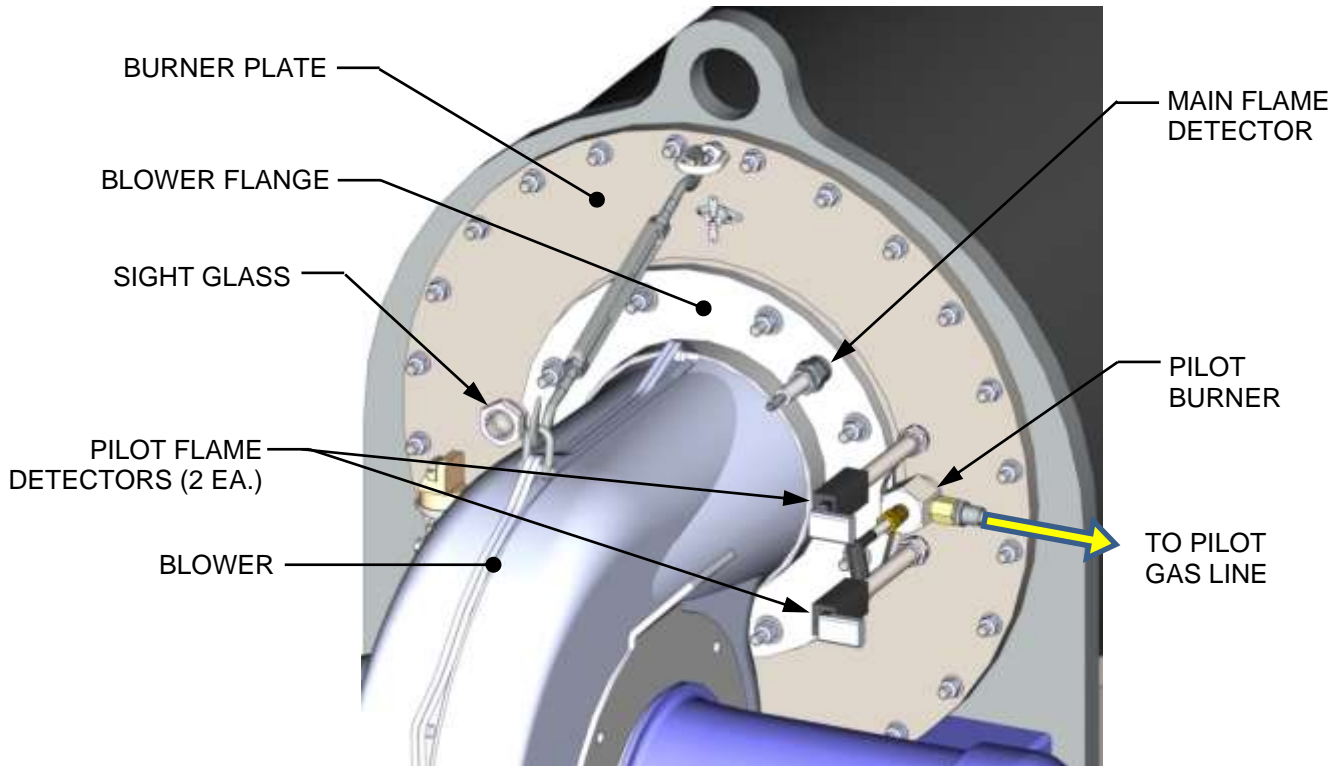
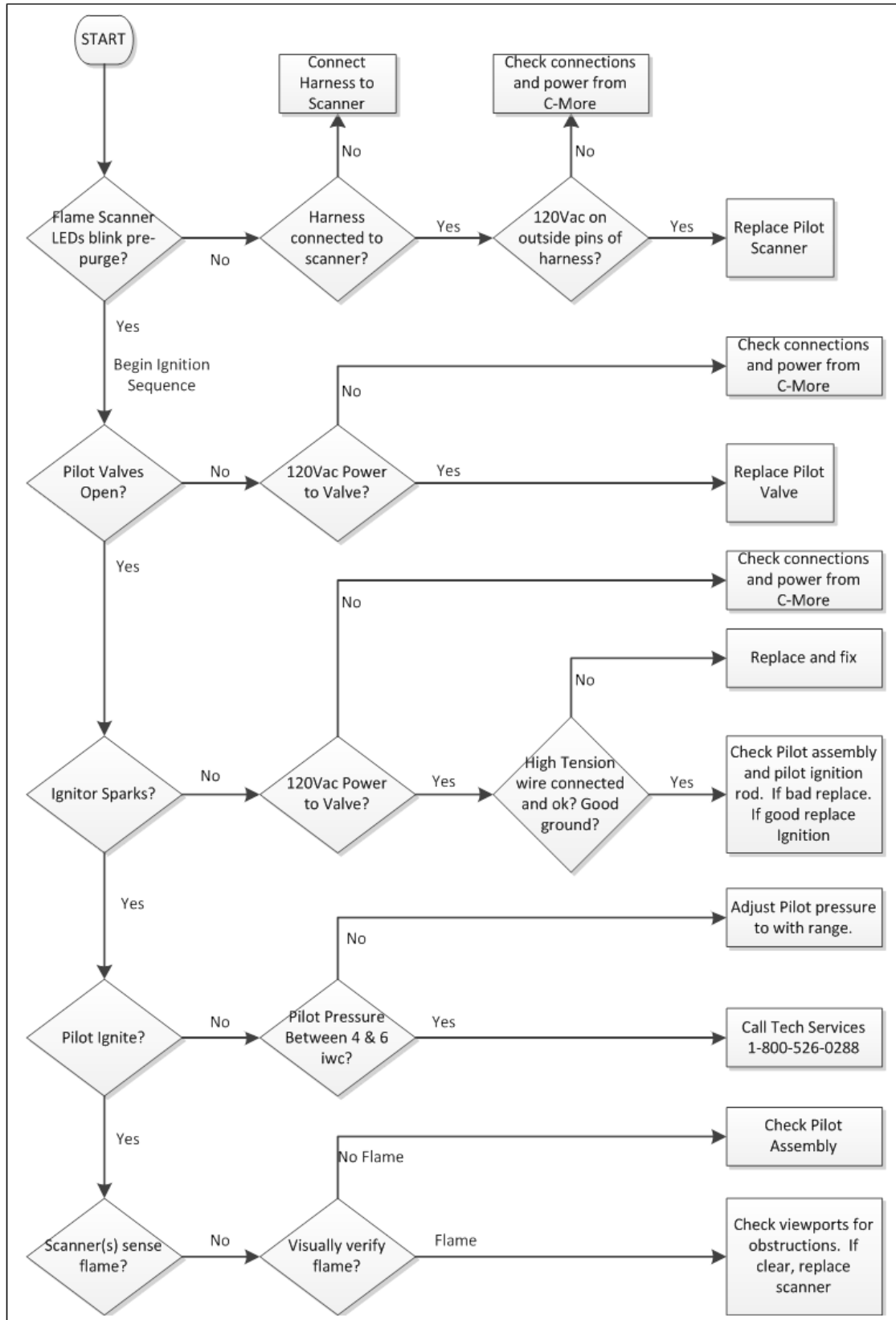


Figure 5-2: Pilot Burner & Flame Detector Locations



Figure 5-3: SSOV Actuator With Gas Pressure Adjustment (SKP25)



Continued on Sheet 2

Figure 5-4a: Pilot Assembly Troubleshooting Flow Chart (Sheet 1 of 2)

Continued from Sheet 1

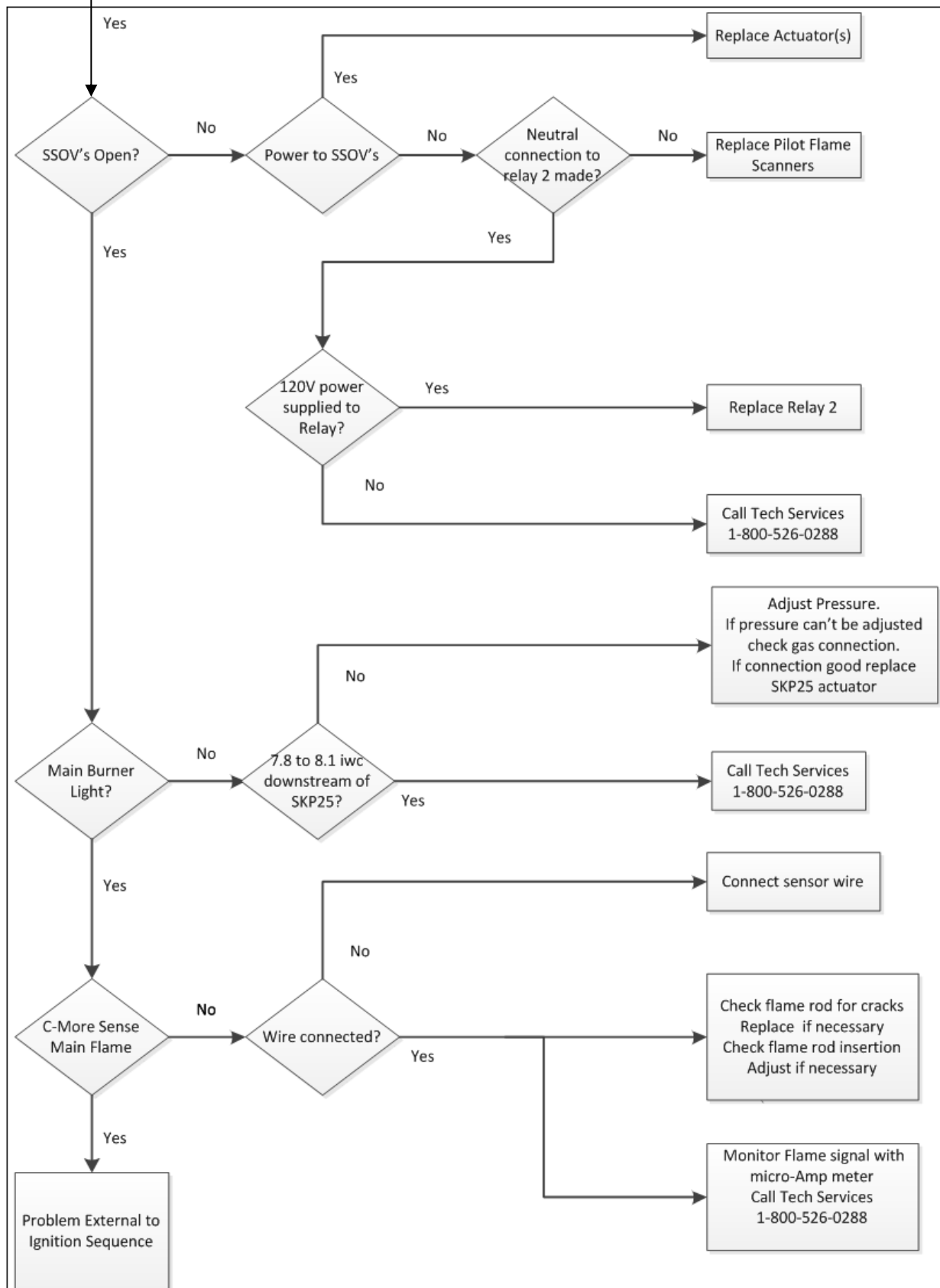


Figure 5-4b: Pilot Assembly Troubleshooting Flow Chart (Sheet 2 of 2)

Appendix A: BOILER MENU ITEM DESCRIPTIONS

TABLE A-1: OPERATING MENU ITEM DESCRIPTIONS

See Section 2-4 OPERATING Menu for a range of choices and the default values.

TABLE A-1: OPERATING Menu Item Descriptions		
MENU OPTIONS		DESCRIPTION
1	Active Setpoint	This is the setpoint temperature to which the control is set when operating in the Constant Setpoint, Remote Setpoint or Outdoor Reset Mode. When in the Constant Setpoint Mode, this value is equal to the Internal Setpoint setting in the Configuration Menu. When in the Remote Setpoint Mode, this value is the setpoint equivalent to the remote analog signal supplied to the unit. When in the Outdoor Reset Mode, this is the derived value from the charts in Appendix E.
2	Outlet Temp	Displays the outlet water temperature.
3	Inlet Temp	Displays the inlet water temperature.
4	Air Temp	Air Temp is the air temperature at the input to the Air/Fuel Valve. This reading is one of the parameters used to control the Blower Motor speed.
5	Outdoor Temp	Outdoor temperature is displayed in °F or °C, only if outdoor temperature sensor is installed and enabled.
6	Valve Position In	Desired input valve position. This would normally be the same as the fire valve position shown on the bar graph (valve position out) when the boiler is operating.
7	Valve Position Out	Displays actual real time Valve Position.
8	FFWD Temp	Displays BST header temperature
9	Exhaust Temp	Displays the exhaust temperature in °F (default) or °C.
10	Flame Strength	Displays flame strength from 0% to 100%.
11	Min Flame Str	Not Used
12	O2 Monitor	Enables or disables the O ₂ Monitor.
13	Oxygen Level	Displays the real-time combustion oxygen (O ₂) level (%) measured by the O ₂ sensor.
14	Ignition Time	Displays the elapsed time between confirmation of gas valve opening (POC) until a stable flame is detected.
15	SSOV Time to OPN	Displays the elapsed time between 120VAC being applied to the Gas Valve and confirmation of gas valve opening (POC).

TABLE A-1: OPERATING Menu Item Descriptions		
MENU OPTIONS		DESCRIPTION
16	Air Pump Voltage	A voltage signal proportional to the current drawn by the Air Eductor's Air Pump. This pump draws a sample of gas across the O ₂ sensor anytime the boiler has proven flame operation. If Air Pump voltage is less than 0.20V <u>or</u> greater than 1.20V for more than 10 seconds, a <i>AIR PUMP FAILED / O2 TRIM DISABLED</i> message is generated. It can only be cleared by pressing the CLEAR button on C-More Controller.
17	Run Cycles	Displays the total number of run cycles.
18	Run Hours	Displays total run time of unit in hours.
19	Fault Log	Displays information on the last 20 faults.
20	Manual Valve Pos	Selects valve position. Available in Manual mode only!

TABLE A-2: SETUP MENU ITEM DESCRIPTIONS

See Section 2-5 for a range of choices and the default values.

TABLE A-2: SETUP Menu Item Descriptions		
MENU OPTIONS		DESCRIPTION
1	Password	Allows Level 1 or Level 2 password to be entered. Entering the Level 1 Password (159) allows options in the <i>Setup, Configuration</i> and <i>Tuning</i> menus to be modified. Entering the Level 2 Password (6817) allows options in the Calibration and Diagnostics Menus to be changed or activated, in addition to all Level 1 Menu options.
2	Language	Permits selection of the language of displayed messages. English is the only option at this time.
3	Time	Displays time from 12:00 am to 11:59 pm.
4	Date	Displays dates from 01/01/00 to 12/31/99
5	Unit of Temp	Permits selection of temperature displays in degrees Fahrenheit (°F) or degrees Celsius (°C).
6	Comm Address	For RS-485 communications. RS232 should have its own (programmable) password.
7	Baud Rate	Allows communications Baud Rate to be set (2400 to 19.2K). Default is 9600.
8	onAER Mode	Allows selection of either Ethernet or SD Card .
9	Min Upload Timer	Mandatory for AERCO onAER Remote Data Collection (ORDC). This parameter enables ORDC and defines the minimum amount of time between heartbeat data uploads in seconds. The COMM LED will light during the upload.
10	Unit Alpha	Mandatory for AERCO onAER Remote Data Collection. This value must match the first alpha digit on the Code Plate, e.g., G-12-1234 .
11	Unit Year	Mandatory for AERCO onAER Remote Data Collection. This value must match the 2-digit year on the Code Plate, e.g., G- 12 -1234.
12	Unit Serial #	Mandatory for AERCO onAER. Remote Data Collection. This value must match the 4-digit serial # on the Code Plate, e.g., G-12- 1234 .
13	Software Version	Identifies the current software version of the C-More Controller.

TABLE A-3: CONFIGURATION MENU ITEM DESCRIPTIONS

See Section 2-6 for a range of choices and the default values.

The *Configuration* menu settings are Factory-Set in accordance with the requirements specified with each individual order. No changes will be required under normal operating conditions.

TABLE A-3: CONFIGURATION Menu Item Descriptions		
MENU OPTIONS		DESCRIPTION
1	Internal Setpoint	Allows internal setpoint to be set from Lo Temp Limit of 40°F to Hi Temp Limit of 240°F (4.4°C to 115.6°C).
2	Unit Type	Can be one of the following: BMK Blr Std, BMK Blr Std Dual, BMK Blr LN, BMK Blr LN Dual.
3	Unit Size	Sets unit size, depending on the Unit Type: Benchmark 5000 – 5000 MBH (1465 kW) Benchmark 6000 – 6000 MBH (1758 kW)
4	Fuel Type	Allows selection of Natural Gas or Propane.
5	Boiler Mode	Only available if Unit Type = Boiler. Allows selection of: Constant Setpoint, Remote Setpoint, Direct Drive, Combination, or Outdoor Reset Mode.
6	Remote Signal	Only available if Mode = Remote Setpoint, Direct Drive or Combination. Used to set the type of external signal which will be used when operating in the Remote Setpoint, Direct Drive or Combination Mode.
7	Outdoor Sensor	Allows outdoor sensor function to be set to Enabled or Disabled.
8	Bldg Ref Temp	Only available if Boiler Mode = Outdoor Reset . Allows the building reference temperature to be set when operating a boiler in the Outdoor Reset Mode.
9	Reset Ratio	Only available if Boiler Mode = Outdoor Reset . Permits setting of Reset Ratio when operating boiler in the Outdoor Reset Mode.
10	System Start Tmp	Only if Outdoor Sensor = Enabled . This menu item allows the system start temperature to be set.
11	Setpt Lo Limit	Used to set the <i>minimum</i> allowable setpoint, from 40°F (4.4°C) up to the Setpt Hi Limit.
12	Setpt Hi Limit	Used to set the <i>maximum</i> allowable setpoint, from the Setpt Lo Limit up to 210°F (98.9°C).
13	Temp Hi Limit	This is the maximum allowable outlet temperature, up to 210°F (98.9°C). Any temperature above this setting will turn off the unit. The temperature must then drop 5°F (2.75°C) below this setting to allow the unit to run.
14	Max Valve Position	Sets the maximum allowable valve position for the unit.
15	Pump Delay Timer	Specifies the amount of time, up to 30 minutes, to keep the pump running after the unit turns off.

TABLE A-3: CONFIGURATION Menu Item Descriptions		
MENU OPTIONS		DESCRIPTION
16	Aux Start On Dly	Specifies the amount of time to wait, up to 120 seconds, between activating the Aux Relay (due to a demand) and checking the pre-purge string to start the boiler.
17	Failsafe Mode	Allows the Failsafe mode to be set to either Constant Setpoint or Shutdown.
18	Analog Output	Must be set to Valve Pos 0-10V for both BMK 5000 and BMK 6000. DO NOT CHANGE from its default value.
19	Lo Fire Timer	Specifies how long, from 2 to 600 seconds, to remain in the low fire position after ignition, before going to the desired output.
20	Setpt Limiting	Setpoint Limiting can be Enabled or Disabled.
21	Setpt Limit Band	The Setpoint Limit Band can be set from 0°F to 10°F (0°C to 5.5°C) .
22	Network Timeout	Specifies the timeout value in seconds before a Modbus fault is declared, up to 999 seconds.
23	Shutoff Dly Temp	This feature delays the shutdown of a boiler in order to reduce excessive cycling. This specifies the temperature value the Outlet Temperature is permitted to rise above setpoint before being shut down.
24	Demand Offset	<p>This entry will reduce excessive ON/OFF cycling in AUTO mode. When this entry is a non-zero value, the unit will not turn on again until <i>Valve Position In</i> (Operating menu item 7) reaches the Start Level value AND the Outlet Temperature goes below the <i>Active Setpoint – Demand Offset</i>. In addition, the boiler will fire at the 29% Valve Position level or below for a period of one minute.</p> <p>When this entry is set to zero, the unit will turn on again as soon as the <i>Valve Position In</i> reaches the <i>Start Level</i> value (Calibration menu item 37). There will not be a one minute delay when firing at the 29% Valve Position level.</p>

TABLE A-3: CONFIGURATION Menu Item Descriptions		
MENU OPTIONS		DESCRIPTION
25	Deadband High	<p>Deadband High and Deadband Low settings create an “Outlet Temperature” Zone in which no Valve Position corrections will be attempted.</p> <p>The Deadband ZONE is defined as operating with an Outlet Temperature between Active Setpoint + Deadband High and Active Setpoint – Deadband Low.</p> <p>When the Outlet Temperature reaches Active Setpoint and remains there for a period of 15 seconds, the unit will go into a DEADBAND MODE at which point no Valve Position corrections will be attempted while the Outlet Temperature remains anywhere within the Deadband ZONE. When the unit is in the DEADBAND MODE, the °F or °C LED will flash on and off. When the Outlet Temperature drifts out of the Deadband ZONE, the DEADBAND MODE will be terminated and the PID LOOP will again attempt Valve Position corrections.</p> <p>Setting range is 0°F (0°C) to 25°F (13.75°C). Default is 5°F (2.75°C) for both Deadband High and Deadband Low).</p>
26	Deadband Low	
27	IGST Version	Displays the version of the IGST Board installed.
28	IGN Time Setting	Displays the MAX Ignition time of 4 Seconds or 7 Seconds as set in the Safety String Harness.
29	Slow Shutdown	Set the Slow Shutdown feature to Enabled or Disabled.
30	Slow Sht Duration	If Slow Shutdown = Enabled , sets the time a boiler will continue to run at the Stop Level after running above the Slow Sht Threshold level, up to 9,999 seconds.
31	Slow Sht Threshold	Sets the Fire Rate above which a boiler will trigger the Slow Shutdown feature.
32	O2 Warnings	Enables or disables AERtrim warning messages.
33	O2 Trim ID	Displays 4 digit AERtrim ID number. Pre-populated on all units. Changes each time the unit is powered up.
34	Fixed ID	Displays the unit’s fixed 4 digit ID number. Pre-populated on all Platinum units. Does not change.
35	O2 Trim Key	Displays the value of the AERtrim 4 digit license key. Pre-populated on all Platinum units.
36	O2 Trim Menu	When set to Enabled, the AERtrim menu options appears.
37	BST Menu	When set to Enabled, the BST menu options appears.

TABLE A-4: TUNING MENU ITEM DESCRIPTIONS

See Section 2-7 for a range of choices and the default values.

TABLE A-4: TUNING Menu Item Descriptions			
MENU OPTIONS		DESCRIPTION	
1	Prop Band	Generates a fire rate based on the error that exists between the setpoint temperature and the actual outlet temperature. If the actual error is less than the proportional band setting (1°F to 120°F, 0.55°C to 66°C), the fire rate will be less than 100%. If the error is equal to or greater than the proportional band setting, the fire rate will be 100%.	
2	Integral Gain	This sets the fraction of the output, due to setpoint error, to add or subtract from the output each minute to move towards the setpoint. Gain is adjustable from 0.00 to 1.00 (Default is 1.0).	
3	Derivative Time	This value (0.0 to 2.0 min.) responds to the rate of change of the setpoint error. This is the time that this action advances the output.	
<p>Warmup – The feature embodied in menu items 4, 5 and 6 eliminates Temperature Overshoots during the “Warmup” period of a cold ignition cycle on all boilers by temporarily modifying the PID Gain parameter during warmup and for a period defined in the <i>Tuning</i> menu.</p>			
4	Warmup Prop Band	Range = 1 – 120°F (0.55°C to 66°C)	Default = 95 (52°C)
5	Warmup Int Gain	Range = 0.00 – 2.00	Default = .50
6	Warmup PID Timer	Range = 0 - 240 seconds	Default = 20 seconds
7	Reset Defaults?	Allows <i>Tuning</i> menu options to be reset to their Factory Default values.	

TABLE A-5: COMBUSTION CALIBRATION MENU ITEM DESCRIPTIONS

See Section 2-8 for a range of choices and the default values.

NOTE: The Level 2 Password must be entered to view the options in the *Combustion Cal* menu. This Menu is used during the Combustion Calibration procedures described in Section 4.4 of the *Benchmark 5000 – 6000 Installation and Startup Guide, OMM-0123 (GF-207)*.

TABLE A-5: COMBUSTION CAL Menu Item Descriptions		
MENU OPTION		DESCRIPTION
1	CAL Voltage 18%	Displays the default DC drive voltage provided to the blower at each Air/Fuel Valve position (Items 1 – 6). The drive voltage adjusts the rotational speed of the blower to maximize combustion efficiency.
2	CAL Voltage 30%	
3	CAL Voltage 40%	
4	CAL Voltage 50%	
5	CAL Voltage 70%	
6	CAL Voltage 100%	
7	Set Valve Position	Permits selection of the Air/Fuel Valve position (% open) to be set from 0 to 100%.
8	Blower Output	Permits the DC drive voltage to the blower to be monitored.
9	Set Stby V out	Permits the Standby Voltage to be set from 0 to 4.00 Volts.
10	Oxygen Level	Permits the combustion oxygen level to be displayed (0% to 25%).

TABLE A-6: CALIBRATION MENU ITEM DESCRIPTIONS

See Section 2-10 for a range of choices and the default values.

TABLE A-6: CALIBRATION Menu Item Descriptions		
MENU OPTION		DESCRIPTION
1	Stepper Fbk	Allows the Air/Fuel Valve stepper motor feedback current to be calibrated at the 0% (fully closed) and 100% (fully open) positions. Verification can also be accomplished at the 50% position.
2	Purge Timer	Allows adjustment of the pre-ignition purge time.
3	Post Purge Timer	Allows adjustment of the purge time when a unit shuts down.
4	IGN Position	Allows adjustment of the valve position (Fire Rate) during the ignition sequence.
5	Ign Pos Hold Tmr	
6	FFWD Temp Dsply	Enabled or Disabled.
7	Outlet Tmp Dsply	Enabled or Disabled.
8	Inlet Tmp Dsply	Enabled or Disabled.
9	Valv Pos Out Dsp	Enabled or Disabled.
10	Exhaust Tmp Dsp	Enabled or Disabled.
11	Exhaust Safety	Enabled or Disabled.
12	Flue Material	Select flue material: PVC, Polypropylene, or stainless
13	Exhst Fault Temp	Fault threshold temperature
14	Exhst Module Temp	Decreases Valve Position to lower exhaust temperature.
15	Exhst Warn Temp	Flue temperature high warning
16	Exhst Tmp VP Adj	VP adjust value
17	Exhst Adj Rate	VP adjust rate
18	VP Change Rate	
19	VP Up Rate	Allows adjustment of the Valve Position (Fire Rate) increase rate when raising the Valve Position. VP Up Rate is defined as Seconds per Step.
20	VP Down Rate	Allows adjustment of the Valve Position (Fire Rate) decrease rate when lowering the Valve Position. VP Down Rate is defined as Seconds per Step.
21	Purge Blwr Offst	Allows adjustment of the blower speed (Blower Output Voltage) during the Purge cycle.
22	4-20mA Purge Pct	Allows adjustment of the blower speed (Blower Output Voltage) during the Purge cycle when using an Emerson VFD Drive to control the Blower Motor.
23	PWM In Adj	Allows the Pulse Width Modulation (PWM) duty cycle to be adjusted from -5.0% to +5.0% in 0.1% increments.

APPENDIX A: BOILER MENU DESCRIPTIONS

24	Analog In Adj	Allows adjustment of the analog input from -5.0% to +5.0%.
25	Flow In Adj	Allows adjustment of the water Flow Rate Input from -5.0% to +5.0%.
26	Supply Gas Pressure In Adj	Allows adjustment of the Supply Gas Pressure level from -5.0% to +5.0% in 0.1 % increments.
27	Gas Plate dp In Adj	Allows adjustment of the Gas Plate dp level from -5.0% to +5.0% in 0.1% increments.
28	mA Out Adj	Allows adjustment of the milliamp output from -5.0 mA to +5.0 mA.
29	A/F Sensitivity	Allows adjustment of the Air/Fuel (A/F) Valve stepper motor sensitivity to be adjusted from 1% to 5% in 1% increments.
30	Power Reset	Allows the Power Reset Option to be set to AUTO or MANUAL.
31	Water Temp Reset	Allows the Water Temperature Reset function to be set to AUTO or MANUAL.
32	Gas Press Reset	Allows the Gas Pressure Reset function to be set to AUTO or MANUAL.
33	Min Off Time	Allows the minimum Off time to be set from 0 to 10 minutes.
34	Stop Level	Allows the Stop Level to be set to a valve position ranging from 0% to the presently set Start Level.
35	Start Level	Allows the Start Level to be set to a valve position ranging from the presently set Stop Level to a maximum of 40%.

SKIP FEATURE:

Items 36 – 38 embody a feature that allows the user to define a Fire Zone the C-More will avoid. In the rare instance when a unit emits an objectionable noise at a certain Fire Rate and no other remedy solves the problem, a Fire Rate skip zone may be defined to command the C-More to Skip-Over the defined Fire Rate.

36	– Skip Range CNTR	Defines the Center (Fire Rate) of the skip band.
37	– Skip Range Span	Defines the + and – band of the Skip Zone Size.
38	– Skip Speed	Defines the speed (Seconds/Fire Rate) at which the band will be skipped.

O2 Settings:

Items 39 – 41 allow calibration of oxygen readings.

39	– O2 Gain	Range = 0.5 to 1.5. (Unity Gain, No Mods)
40	– O2 Offset	Range = -3.0 to +3.0.
41	– O2 Sensor	Enables the O2 Sensor
42	Cal Temp Sensors	Allows calibration of the temperature sensor

Temperature Channel Offset:

Items 43 – 48 embody the feature, which allow the user to field calibrate all six temperature channels by entering an offset corresponding to the desired temperature channel.

APPENDIX A: BOILER MENU DESCRIPTIONS

43	- FFWD Temp Offset	Range: -20 to + 20 (either °F or °C)
44	- Exhst Tmp Offset	Range: -20 to + 20 (either °F or °C)
45	- Outdr Air Offset	Range: -20 to + 20 (either °F or °C)
46	- Inlet Air Offset	Range: -20 to + 20 (either °F or °C)
47	- Inlet Wtr Offset	Range: -20 to + 20 (either °F or °C)
48	- Outlet Wtr Offset	Range: -20 to + 20 (either °F or °C)
49	24 hr Max Cycles	Maximum cycles in 24 hour period.
50	24 hr Max Ovrtemp	Maximum over-temp in 24 hour period.
51	0-10v Out Test	Set the blower voltage at 0-10v for testing.
52	Spark Monitor	Enables or disables the Spark Monitor function, which displays the AC current on the input of the Ignition Transformer.
53	Min Spark Amps	Allows the adjustment of the minimum spark current required at the spark transformer input.
54	Max Spark Amps	Allows the adjustment of the maximum spark current required at the spark transformer input.

(This page intentionally blank)

Appendix B: Startup, STATUS & DISPLAY MESSAGES

Appendix B1: Startup and Status Messages

TABLE B-1: Startup and Status Messages	
MESSAGE	DESCRIPTION
DEMAND DELAY XX sec	Displayed if Demand Delay is active.
DISABLED HH:MM pm, pm MM/DD/YY	Displayed if ON/OFF switch is set to OFF . The display also shows the time (am or pm) and date that the unit was disabled.
FLAME PROVEN	Displayed after flame has been detected for a period of 2 seconds. Initially, the flame strength is shown in %. After 5 seconds has elapsed, the time and date are shown in place of flame strength.
IGNITION TRIAL XX sec	Displayed during ignition trial of startup sequence. The duration of cycle counts up in seconds.
PURGING XX sec	Displayed during the purge cycle during startup. The duration of the purge cycle counts up in seconds.
STANDBY	Displayed when ON/OFF switch is in the ON position, but there is no demand for heat. The time and date are also displayed.
WAIT	Prompts the operator to wait.
WARMUP XX sec	Displayed for 2 minutes during the initial warm-up only.

Appendix B2: Fault Messages

TABLE B-2: Fault Messages	
Fault Message	Fault Description
AIRFLOW FAULT DURING PURGE	The Blower Proof switch opened during purge, or air inlet is blocked.
AIRFLOW FAULT DURING IGN	The Blower Proof switch opened during ignition.
AIRFLOW FAULT DURING RUN	The Blower Proof switch opened during run.
DELAYED INTERLOCK OPEN	The Delayed Interlock is open.
DIRECT DRIVE SIGNAL FAULT	The direct drive signal is not present or is out of range.
FFWD TEMP SENSOR FAULT	The temperature measured by the Feed Forward (FFWD) Sensor is out of range.
FLAME LOSS DURING IGN	The Flame signal was not seen during ignition or lost within 5 seconds after ignition.
FLAME LOSS DURING RUN	The Flame signal was lost during run.
HEAT DEMAND FAILURE	The Heat Demand Relays on the Ignition board failed to activate when commanded.
HIGH EXHAUST TEMPERATURE	The Exhaust Temperature has exceeded 200°F (93.3°C).
GAS PRESSURE FAULT	The High Gas Pressure Limit switch is open or the Low Gas Pressure Limit switch is open.
HIGH WATER TEMPERATURE	The temperature measured by the Outlet Sensor exceeded the Temp Hi Limit setting.
HIGH WATER TEMP SWITCH OPEN	The High Water Temperature Limit switch is open, or the VFD is in "Local" mode or voltage to the unit dropped below threshold or the Surface Temp sensor is open.
IGN BOARD COMM FAULT	A communication fault has occurred between the PMC board and Ignition board.
IGN SWTCH CLOSED DURING PURGE	The Ignition Position Limit switch on the Air/Fuel Valve closed during purge.
IGN SWTCH OPEN DURING IGNITION	The Ignition Position Limit switch on the Air/Fuel Valve opened during ignition.
INTERLOCK OPEN	The Remote Interlock is open.
LINE VOLTAGE OUT OF PHASE	The Line (Hot) and Neutral wires are reversed.
LOW WATER	The Low Water Cutoff board is indicating low water level.

TABLE B-2: Fault Messages	
Fault Message	Fault Description
LEVEL	
NETWORK COMM FAULT	The RS-485 network information is not present or is corrupted.
O ₂ % OUT OF RANGE	The O ₂ % has gone below 3% or above 8%.
OUTDOOR TEMP SENSOR FAULT	The temperature measured by the Outdoor Air Sensor is out of range.
OUTLET TEMP SENSOR FAULT	The temperature measured by the Outlet Sensor is out of range: <ul style="list-style-type: none"> • OUTLET TEMPERATURE display = SHt Indicates sensor is shorted • OUTLET TEMPERATURE display = Opn indicates sensor is open-circuited
PRG SWTCH CLOSED DURING IGNITION	The Purge Position Limit switch on the Air/Fuel Valve closed during ignition.
PRG SWTCH OPEN DURING PURGE	The Purge Position Limit switch on the Air/Fuel Valve opened during purge.
REMOTE SETPT SIGNAL FAULT	The Remote Setpoint signal is not present or is out of range.
RESIDUAL FLAME	The Flame signal was seen for more than 60 seconds during standby.
SSOV SWITCH OPEN	The SSOV switch opened during standby.
SSOV FAULT DURING PURGE	The SSOV switch opened during purge.
SSOV FAULT DURING IGN	The SSOV switch closed or failed to open during ignition.
SSOV FAULT DURING RUN	The SSOV switch closed for more than 15 seconds during run.
SSOV RELAY FAILURE	A failure has been detected in one of the relays that control the SSOV.
STEPPER MOTOR FAILURE	The Stepper Motor failed to move the Air/Fuel Valve to the desired position.

(This page intentionally blank)

Appendix C: SENSOR RESISTANCE/VOLTAGE CHART

Temperature Sensor Resistance Voltage Chart (BALCO)			
TEMPERATURE		RES (OHMS)	VOLTS*
°F	°C		
-40	-40	779.0	1.93
-30	-34.4	797.5	1.96
-20	-28.9	816.3	1.99
-10	-23.3	835.4	2.02
0	-17.2	854.8	2.05
10	-12.2	874.6	2.07
20	-6.7	894.7	2.10
30	-1.1	915.1	2.12
40	4.4	935.9	2.15
50	10	956.9	2.17
60	15.5	978.3	2.20
70	21.1	1000.0	2.23
80	26.7	1022.0	2.25
90	32.2	1044.4	2.27
100	37.8	1067.0	2.30
110	43.3	1090.0	2.32
120	48.9	1113.3	2.34
130	54.4	1137.0	2.36
140	60	1160.9	2.39
150	65.6	1185.2	2.41
160	71.1	1209.5	2.43
170	76.7	1234.7	2.45
180	82.2	1260.0	2.47
190	87.8	1285.6	2.50
200	93.3	1311.4	2.52
210	98.9	1337.7	2.54
220	104.4	1364.2	2.56
230	110	1391.0	2.58
240	115.6	1418.2	
250	121.1	1445.7	

(This page intentionally blank)

Appendix D: RECOMMENDED PERIODIC TESTING

WARNING!

Periodic testing of all boiler controls and safety devices is required to determine that they are operating as designed. Precautions shall be taken while tests are being performed to protect against bodily injury and property damage. The owner or user of an automatic boiler system should set up a formal system of periodic preventive maintenance and testing. Tests should be conducted on a regular basis and the results recorded in a log-book.

Recommended Periodic Testing			
ITEM	FREQUENCY	ACTION BY	REMARKS
NOTE: Refer to indicated sections and guides for detailed procedures			
Gauges, monitors and indicators	Daily	Operator	Visual inspection and record readings in operator log.
Instrument and equipment settings	Daily	Operator	Visual check against factory recommended specifications.
	Weekly	Operator	Verify factory settings.
Firing Rate Control	Semi-Annual	Service Technician	Verify factory settings.
	Annually	Service Technician	Check with combustion calibration test equipment. See Section 4.2 of the <i>Benchmark 5000 – 6000 Installation and Startup Guide, OMM-0123 (GF-207)</i> and Section 4.5 of this guide.
Flue, vent, stack or intake air duct	Monthly	Operator	Visually inspection condition and check for obstructions.
Pilot Burner	Weekly	Operator	See Section 4.2 of this guide.
Air/Fuel Valve position	Weekly	Operator	Check position of indicator dial. See Section 3.2 <i>Start Sequence</i> of the <i>Benchmark 5000 – 6000 Installation and Startup Guide, OMM-0123 (GF-207)</i> .
SSOV Leakage test	Annually	Service Technician	Check for leakage in accordance with the SSOV manufacturer’s (Siemens) recommendations.
Flame failure	Weekly	Operator	Close manual gas shutoff valve and check safety shutdown. See Section 5.7 <i>Flame Fault Tests</i> of the <i>Benchmark 5000 – 6000 Installation and Startup Guide, OMM-0123 (GF-207)</i> .
Flame signal strength	Weekly	Operator	Check flame strength using the C-More Controller’s <i>Operating</i> menu. See Section 2.4 of this guide.
Low water level cut off and alarm	Weekly	Operator	See Section 5.4 of the <i>Benchmark 5000 – 6000 Installation and Startup Guide, OMM-0123 (GF-207)</i> .
Slow drain test	Semi-Annual	Operator	Perform a slow drain test per ASME Boiler and Pressure Vessel Code, Sect. IV.

Recommended Periodic Testing			
ITEM	FREQUENCY	ACTION BY	REMARKS
High water temp. safety control test	Annually	Service Technician	See Section 5.5 of the <i>Benchmark 5000 – 6000 Installation and Startup Guide, OMM-0123 (GF-207)</i> .
Operating controls	Annually	Operator	See Section 2.2, above.
Low air flow	Monthly	Operator	See Section 5.8 of the <i>Benchmark 5000 – 6000 Installation and Startup Guide, OMM-0123 (GF-207)</i> .
High and low gas pressure interlocks	Monthly	Operator	See Sections 5.2 and 5.3 of the <i>Benchmark 5000 – 6000 Installation and Startup Guide, OMM-0123 (GF-207)</i> .
Air/Fuel Valve purge position switch	Annual	Service Technician	See Section 5.10 of the <i>Benchmark 5000 – 6000 Installation and Startup Guide, OMM-0123 (GF-207)</i> .
Air/Fuel Valve ignition position switch	Annual	Service Technician	See Section 5.11 of the <i>Benchmark 5000 – 6000 Installation and Startup Guide, OMM-0123 (GF-207)</i> .
Safety valves	As required	Operator	Check per A.S.M.E. Boiler and Pressure Vessel Code, Section IV
Inspect burner components	Semi-Annual	Service Technician	See Section 4.7 of this guide.
Condensate Trap	Semi-Annual	Operator	See Section 4.9 of this guide.
Oxygen (O ₂) Level	Monthly	Operator	Verify oxygen level is between 3% and 8% during boiler operation.

Appendix E: INDOOR/OUTDOOR RESET RATIO CHARTS

Header Temperature for a Building Reference Temperature = 50°F (10.0°C)											
AIR TEMP		RESET RATIO									
°F	°C	0.6	0.8	1.0	1.2	1.4	1.6	1.8	2.0	2.2	2.4
50	10.0	50	50	50	50	50	50	50	50	50	50
45	7.2	53	54	55	56	57	58	59	60	60	62
40	4.4	56	58	60	62	64	66	68	70	72	74
35	1.7	59	62	65	68	71	74	77	80	83	86
30	-1.1	62	66	70	74	78	82	86	90	94	98
25	-3.9	65	70	75	80	85	90	95	100	105	110
20	-6.7	68	74	80	86	92	98	104	110	116	122
15	-9.4	71	78	85	92	99	106	113	120	127	134
10	-12.2	74	82	90	98	106	114	122	130	138	146
5	-15.0	77	86	95	104	113	122	131	140	149	158
0	-17.8	80	90	100	110	120	130	140	150	160	170
-5	-20.6	83	94	105	116	127	138	149	160	171	182
-10	-23.3	86	98	110	122	134	146	158	170	182	194
-15	-26.1	89	102	115	128	141	154	167	180	193	206
-20	-28.9	92	106	120	134	148	162	176	190	204	218

Header Temperature for a Building Reference Temperature = 60°F (15.6°C)											
AIR TEMP		RESET RATIO									
°F	°C	0.6	0.8	1.0	1.2	1.4	1.6	1.8	2.0	2.2	2.4
60	15.6	60	60	60	60	60	60	60	60	60	60
55	12.8	63	64	65	66	67	68	69	70	71	72
50	10.0	66	68	70	72	74	76	78	80	82	84
45	7.2	69	72	75	78	81	84	87	90	93	96
40	4.4	72	76	80	84	88	92	96	100	104	108
35	1.7	75	80	85	90	95	100	105	110	115	120
30	-1.1	78	84	90	96	102	108	114	120	126	132
25	-3.9	81	88	95	102	109	116	123	130	137	144
20	-6.7	84	92	100	108	116	124	132	140	148	156
15	-9.4	87	96	105	114	123	132	141	150	159	168
10	-12.2	90	100	110	120	130	140	150	160	170	180
5	-15.0	93	104	115	126	137	148	159	170	181	192
0	-17.8	96	108	120	132	144	156	168	180	192	204
-5	-20.6	99	112	125	138	151	164	177	190	203	216
-10	-23.3	102	116	130	144	158	172	186	200	214	
-15	-26.1	105	120	135	150	165	180	195	210		
-20	-28.9	108	124	140	156	172	188	204			

APPENDIX E: INDOOR/OUTDOOR RESET RATIO CHARTS

Header Temperature for a Building Reference Temperature = 65°F (18.3°C)											
AIR TEMP		RESET RATIO									
°F	°C	0.6	0.8	1.0	1.2	1.4	1.6	1.8	2.0	2.2	2.4
65	18.3	65	65	65	65	65	65	65	65	65	65
60	15.6	68	69	70	71	72	73	74	75	76	77
55	12.8	71	73	75	77	79	81	83	85	87	89
50	10.0	74	77	80	83	86	89	92	95	98	101
45	7.2	77	81	85	89	93	97	101	105	109	113
40	4.4	80	85	90	95	100	105	110	115	120	125
35	1.7	83	89	95	101	107	113	119	125	131	137
30	-1.1	86	93	100	107	114	121	128	135	142	149
25	-3.9	89	97	105	113	121	129	137	145	153	161
20	-6.7	92	101	110	119	128	137	146	155	164	173
15	-9.4	95	105	115	125	135	145	155	165	175	185
10	-12.2	98	109	120	131	142	153	164	175	186	197
5	-15.0	101	113	125	137	149	161	173	185	197	209
0	-17.8	104	117	130	143	156	169	182	195	208	
-5	-20.6	107	121	135	149	163	177	191	205	219	
-10	-23.3	110	125	140	155	170	185	200	215		
-15	-26.1	113	129	145	161	177	193	209			
-20	-28.9	116	133	150	167	201	218				

Header Temperature for a Building Reference Temperature = 70°F (21.1°C)											
AIR TEMP		RESET RATIO									
°F	°C	0.6	0.8	1.0	1.2	1.4	1.6	1.8	2.0	2.2	2.4
70	21.1	70	70	70	70	70	70	70	70	70	70
65	18.3	73	74	75	76	77	78	79	80	81	82
60	15.6	76	78	80	82	84	86	88	90	92	94
55	12.8	79	82	85	88	91	94	97	100	103	106
50	10.0	82	86	90	94	98	102	106	110	114	118
45	7.2	85	90	95	100	105	110	115	120	125	130
40	4.4	88	94	100	106	112	118	124	130	136	142
35	1.7	91	98	105	112	119	126	133	140	147	154
30	-1.1	94	102	110	118	126	134	142	150	158	166
25	-3.9	97	106	115	124	133	142	151	160	169	178
20	-6.7	100	110	120	130	140	150	160	170	180	190
15	-9.4	103	114	125	136	147	158	169	180	191	202
10	-12.2	106	118	130	142	154	166	178	190	202	214
5	-15.0	109	122	135	148	161	174	187	200	213	
0	-17.8	112	126	140	154	168	182	196	210		
-5	-20.6	115	130	145	160	175	190	205			
-10	-23.3	118	134	150	166	182	198	214			
-15	-26.1	121	138	155	172	189	206				
-20	-28.9	124	142	160	178	196	214				

APPENDIX E: INDOOR/OUTDOOR RESET RATIO CHARTS

Header Temperature for a Building Reference Temperature = 75°F (23.9°C)											
AIR TEMP		RESET RATIO									
°F	°C	0.6	0.8	1.0	1.2	1.4	1.6	1.8	2.0	2.2	2.4
75	23.9	75	75	75	75	75	75	75	75	75	75
70	21.1	78	79	80	81	82	83	84	85	86	87
65	18.3	81	83	85	87	89	91	93	95	97	99
60	15.6	84	87	90	93	96	99	102	105	108	111
55	12.8	87	91	95	99	103	107	111	115	119	123
50	10.0	90	95	100	105	110	115	120	125	130	135
45	7.2	93	99	105	111	117	123	129	135	141	147
40	4.4	96	103	110	117	124	131	138	145	152	159
35	1.7	99	107	115	123	131	139	147	155	163	171
30	-1.1	102	111	120	129	138	147	156	165	174	183
25	-3.9	105	115	125	135	145	155	165	175	185	195
20	-6.7	108	119	130	141	152	163	174	185	196	207
15	-9.4	111	123	135	147	159	171	183	195	207	219
10	-12.2	114	127	140	153	166	179	192	205	218	
5	-15.0	117	131	145	159	173	187	201	215		
0	-17.8	120	135	150	165	180	195	210			
-5	-20.6	123	139	155	171	187	203	219			
-10	-23.3	126	143	160	177	194	211				
-15	-26.1	129	147	165	183	201	219				

Header Temperature for a Building Reference Temperature = 80°F (26.7°C)											
AIR TEMP		RESET RATIO									
°F	°C	0.6	0.8	1.0	1.2	1.4	1.6	1.8	2.0	2.2	2.4
80	26.7	80	80	80	80	80	80	80	80	80	80
75	23.9	83	84	85	86	87	88	89	90	91	92
70	21.1	86	88	90	92	94	96	98	100	102	104
65	18.3	89	92	95	98	101	104	107	110	113	116
60	15.6	92	96	100	104	108	112	116	120	124	128
55	12.8	95	100	105	110	115	120	125	130	135	140
50	10.0	98	104	110	116	122	128	134	140	146	152
45	7.2	101	108	115	122	129	136	143	150	157	164
40	4.4	104	112	120	128	136	144	152	160	168	176
35	1.7	107	116	125	134	143	152	161	170	179	188
30	-1.1	110	120	130	140	150	160	170	180	190	200
25	-3.9	113	124	135	146	157	168	174	190	201	212
20	-6.7	116	128	140	152	164	176	188	200	212	
15	-9.4	119	132	145	158	171	184	197	210		
10	-12.2	122	136	150	164	178	192	206			
5	-15.0	125	140	155	170	185	200	215			
0	-17.8	128	144	160	176	192	208				
-5	-20.6	131	148	165	182	199	216				
-10	-23.3	134	152	170	188	206					

APPENDIX E: INDOOR/OUTDOOR RESET RATIO CHARTS

Header Temperature for a Building Reference Temperature = 90°F (32.2°C)											
AIR TEMP		RESET RATIO									
°F	°C	0.6	0.8	1.0	1.2	1.4	1.6	1.8	2.0	2.2	2.4
90	32.2	90	90	90	90	90	90	90	90	90	90
85	29.4	93	94	95	96	97	98	99	100	101	102
80	26.7	96	98	100	102	104	106	108	110	112	114
75	23.9	99	102	105	108	111	114	117	120	123	126
70	21.1	102	106	110	114	118	122	126	130	134	138
65	18.3	105	110	115	120	125	130	135	140	145	150
60	15.6	108	114	120	126	132	138	144	150	156	162
55	12.8	111	118	125	132	139	146	153	160	167	174
50	10.0	114	122	130	138	146	154	162	170	178	186
45	7.2	117	126	135	144	153	162	171	180	189	198
40	4.4	120	130	140	150	160	170	180	190	200	210
35	1.7	123	134	145	156	167	178	189	200		
30	-1.1	126	138	150	162	174	186	198	210		
25	-3.9	129	142	155	168	181	194	207			
20	-6.7	132	146	160	174	188	202	216			
15	-9.4	135	150	165	180	195	210				
10	-12.2	138	154	170	186	202	218				
5	-15.0	141	158	175	192	209					
0	-17.8	144	162	180	198	216					

Appendix F: PART LISTS AND DRAWINGS

Benchmark 5000 & 6000 Part List

Item #	Qty	Part #	Description
EXHAUST MANIFOLD			
1	1	39131	EXHAUST MANIFOLD
2	3	9-22	PIPE PLUG: 1/4" NPT: STEEL
3	1	84042	SEAL: MANIFOLD
GAS TRAIN ASSEMBLY			
6	1	22222	STANDARD GAS TRAIN – For units with Gas inlet located on Left-Rear of unit
		22187	STANDARD DUAL FUEL GAS TRAIN – (For units with Gas inlet on Left-Rear of unit
		22308-1	3" LGP GAS TRAIN
		22308-2	3" LGP GAS TRAIN with VPS
		22330-1	FM Gas Train – For units with Gas inlet located on Right-Rear of unit
		22330-2	FM Gas Train w/ VPS
		22328	Gas Train, Dual Fuel – (For units with Gas inlet located on Right-Rear of unit
7	1	22219	DBB VENT LINE
BLOWER ASSEMBLY			
19	1	58065-1	BLOWER ASSY, 460V Replacement Kit
		58065-2	BLOWER ASSY, 208V Replacement Kit
		58065-3	BLOWER ASSY, 575V Replacement Kit
21	1	65182	FLAME DETECTOR Replacement Kit
23	1	29700	IGNITOR ASSEMBLY
27	1	59198	TURNBUCKLE
BURNER, AIR/FUEL VALVE & HEAT EXCHANGER			
30	1	24328-1	BURNER ASSEMBLY 460V
		24328-2	BURNER ASSEMBLY 208V
		24328-3	BURNER ASSEMBLY 575V
31	1	58066-TAB	AIR/FUEL VALVE ASSY (See Additional Kits Available on next page)
33	2	81159	BURNER GASKET
34	2	88014	FILTER: AIR 6" X 12 LG
37	1	83028	FRONT REFRACTORY
38	1	83027	REAR REFRACTORY
39	1	96017	WYE-DUCT: 8" X 6" X 6"
40	1	39170	SHIELD ASSY.
CONTROLS			
46	1	65220	CABLE: H.V. IGNITION
49	1	69102-3	PUMP RELAY
50	1	69241	VFD DRIVE 208V, PROGRAMMED
		69240	VFD DRIVE 460V, PROGRAMMED
		69242	VFD DRIVE 575V, PROGRAMMED
51	1	65162	24V POWER SUPPLY (Sequencing Valve)
52	2	69141	DIN RAIL MOUNT END STOP
54	1	69172	I/O ASSEMBLY
61	1	69186-4	C-MORE CONTROLLER
62	1	65085	IGNITION TRANSFORMER
63	2	65135	OMRON RELAY BASE
64	2	65134	OMRON RELAY 120V

66	2	61032	SURFACE TEMP SENSOR
67	2	123449	INLET WATER TEMP. SENSOR 1-1/2"
68	1	61026	LEAN OXYGEN SENSOR
69	1	61030	OUTLET TEMPERATURE SENSOR
70	1	58132	THERMOWELL Replacement Kit
71	1	64081	ECU
72	1	65011	TRANSFORMER 115V/24V 100VA
73	1	65109	12V POWER SUPPLY
74	1	123552	OVER TEMP-MANUAL RESET SWITCH
75	1	123966	ADJUSTABLE TEMP LIMIT SWITCH
77	2	65120	TERMINAL BLOCK: DIN MOUNTED: BLK
78	2	65121	TERMINAL BLOCK: DIN MOUNTED: WHT
79	3	65122	TERMINAL GROUND BLOCK: DIN Mount
80	2	65118	FUSE TERMINAL: DIN MOUNTED
81	1	64088	LIMIT CONTROL TEMPERATURE:
		65137	3 POLE BREAKER: 30A, 208 & 460 V
82	1	65168	3 POLE BREAKER: 14-20A, 575V
		124512	FUSE: 4 AMP
83	2	124512	FUSE: 4 AMP
		124310	TRANSFORMER, STEPDOWN 208/203/460V: 115V
87	1	124310	TRANSFORMER, STEPDOWN 208/203/460V: 115V
		65167	TRANSFORMER, STEPDOWN 575V: 115V
89	1	61034	SPARK MONITOR
91	1	38035	I/O BOX COVER
92	1	38036	POWER PANEL COVER
94	1	63035-1	DUAL FUEL SELECTION SWITCH
95	1	65147	VENTILATION FAN (DUAL FUEL only)
96	1	123449	AIR INLET TEMPERATURE SENSOR
98	1	24508-1	AIR EDUCTOR ASSY
99	1	69126	LOW WATER CAPACITY CUTOFF
			Replacement Kit
SHEET METAL / PANEL ASSEMBLY			
100	1	30176	SIDE PANEL, RIGHT-REAR
101	3	30155	SIDE PANEL (Dual Fuel Qty. = 4)
102	2	35049	SIDE PILLAR
103	1	30162	TOP PANEL: FRONT
104	1	30163	TOP PANEL: MIDDLE
105	1	30164	TOP PANEL: REAR
106	1	30176	BACK PANEL: RIGHT
107	1	30177	BACK PANEL LEFT
108	1	39216	AIR INLET ADAPTER
109	8	59133	LATCH: COMPRESSION
110	1	25085-3	FRONT PANEL ASSEMBLY
111	2	35048	TOP RAIL
112	1	30167	INLET/OUTLET BACK PANEL
114	2	33148	BRACE: DIAGONAL
115	1	25088	FRONT FRAME ASSEMBLY
HOSE & INSULATION			
119	1	80084	INSULATION: UPPER
120	2	80098	INSULATION: LOWER

❶ Not shown on drawing

AERCO International, Inc. Blauvelt, NY 10913	Benchmark 5000 & 6000 Part List	04/12/2018
	Whole Boiler P/N 29497-TAB	

APPENDIX F – PART LIST DRAWINGS

Optional Accessories / Parts	
Part #	Description
58067	SAMPLING TUBE KIT
92084-6	MOTORIZED SEQUENCING VALVE

Wiring Harnesses (not shown in figures below)	
Part #	Description
63004	HARNESS: 460V TRANSFORMER (460V ONLY)
63083	HARNESS: O2 SENSOR
63090	HARNESS: TEMPERATURE LIMIT CONTROL
63104	HARNESS: I/O INTERLOCK
63105	HARNESS: I/O SENSOR COMM
63111	HARNESS: CONTROL
63113-1	HARNESS: SHELL
63115	HARNESS: AIR INLET SENSOR
63125-1	HARNESS: GAS TRAIN, 7 SEC. IGNITION
63134	Vent FAN POWER WIRE (Dual Fuel Only)
63135	VFD/BLOWER POWER WIRE #10 AWG
63162	HARNESS: DOUBLE OPTICAL SENSOR

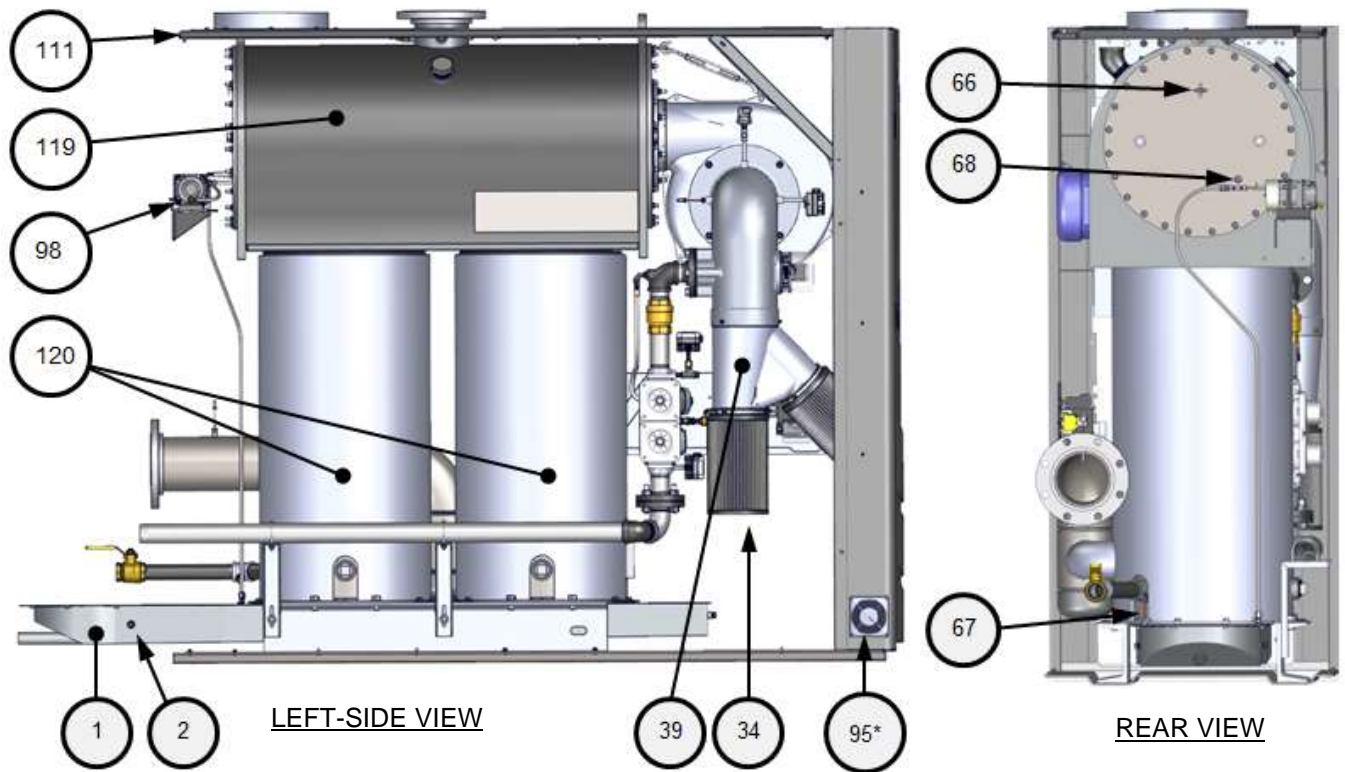
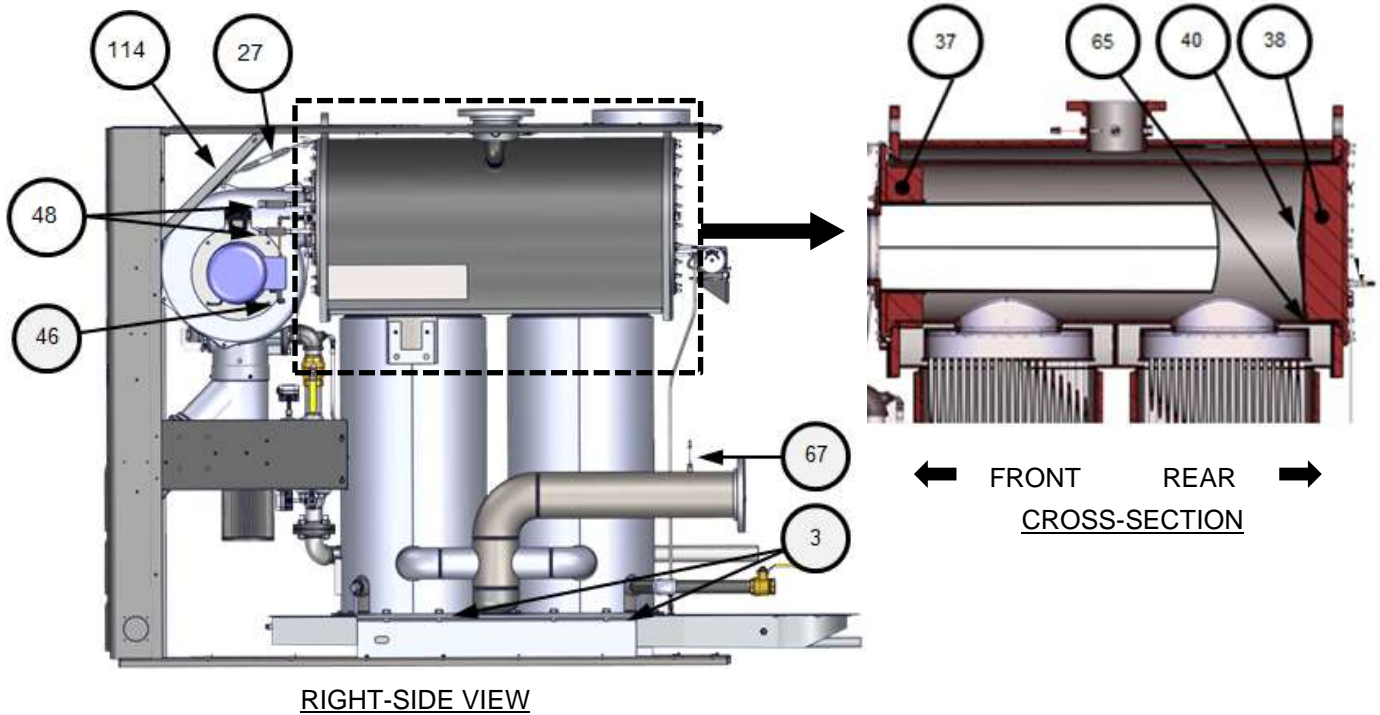
Benchmark 5000/6000 Spare Parts Kit P/N 58053	
Part #	Description
92102-TAB	PRESSURE RELIEF VALVE KIT
123675-TAB	TRIDICATOR
123540	2" BALL VALVE
24441	CONDENSATE VALVE ASSEMBLY

Additional Benchmark 5000/6000 Replacement Kits Available	
Part #	Description
27086-2	ACTUATOR W/ POC SWITCH t
24383	SSOV W/ REGULATOR
58084	IGNITER ROD t
58089	SOLENOID VALVE
58066-1 *	BMK6000 LGP AIR/FUEL VALVE ASSY (Low Gas Pressure model)
58066-2 *	BMK5000 AIR/FUEL VALVE ASSY
58066-3 *	BMK5000 LGP AIR/FUEL VALVE ASSY (Low Gas Pressure model)

* Item 31 on previous page

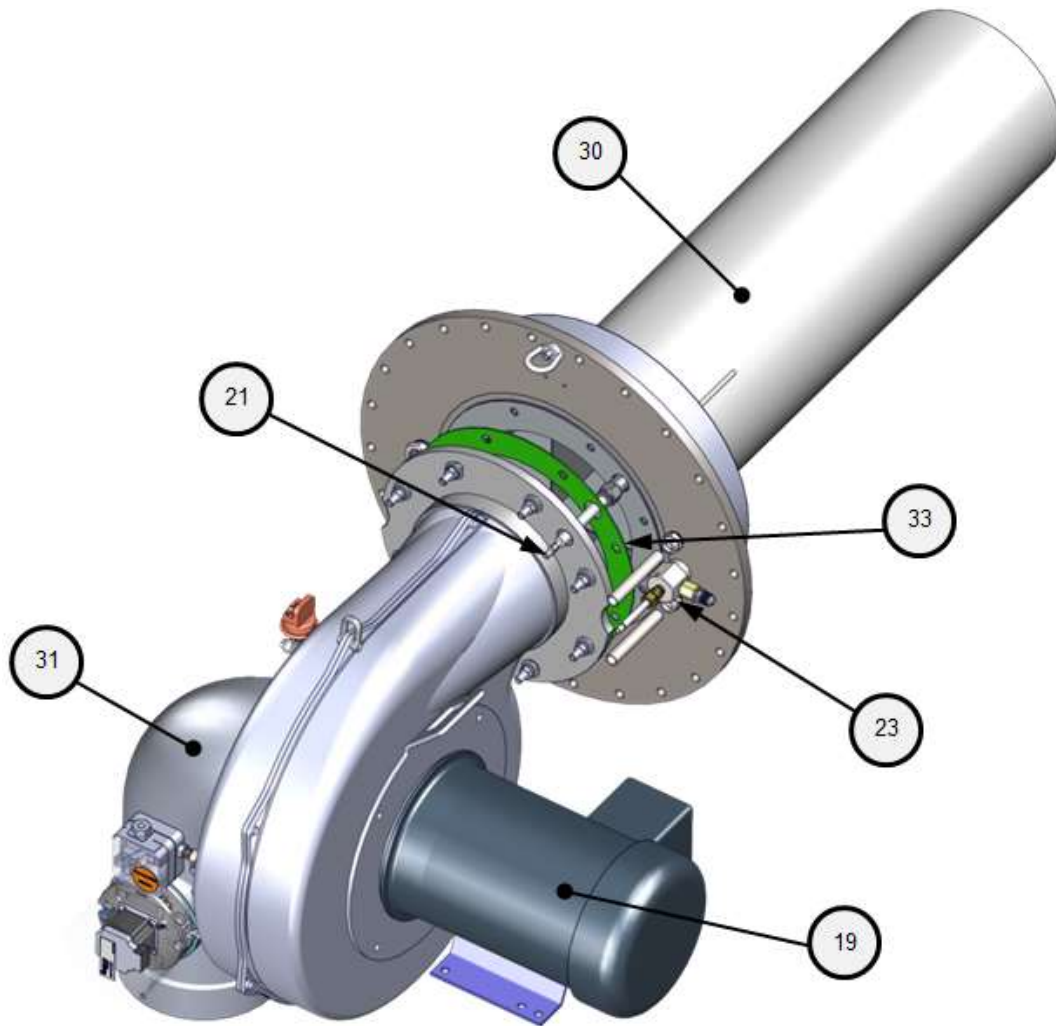
AERCO International, Inc. Blauvelt, NY 10913	Benchmark 5000 & 6000 Part List	04/12/2018
	Whole Boiler P/N 29497-TAB	Sheet 2 of 7

APPENDIX F – PART LIST DRAWINGS



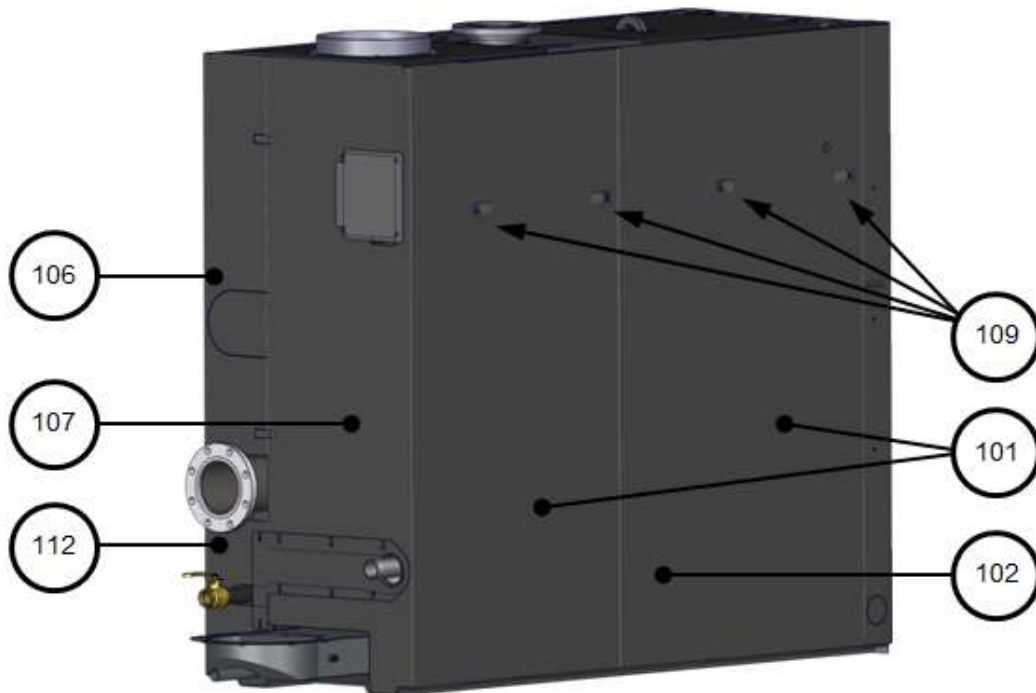
* DUAL FUEL ONLY

AERCO International, Inc. Blauvelt, NY 10913	Benchmark 5000 & 6000 Part List	04/12/2018
	Whole Boiler P/N 29497-TAB	Sheet 3 of 7

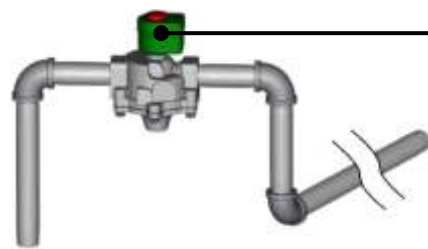
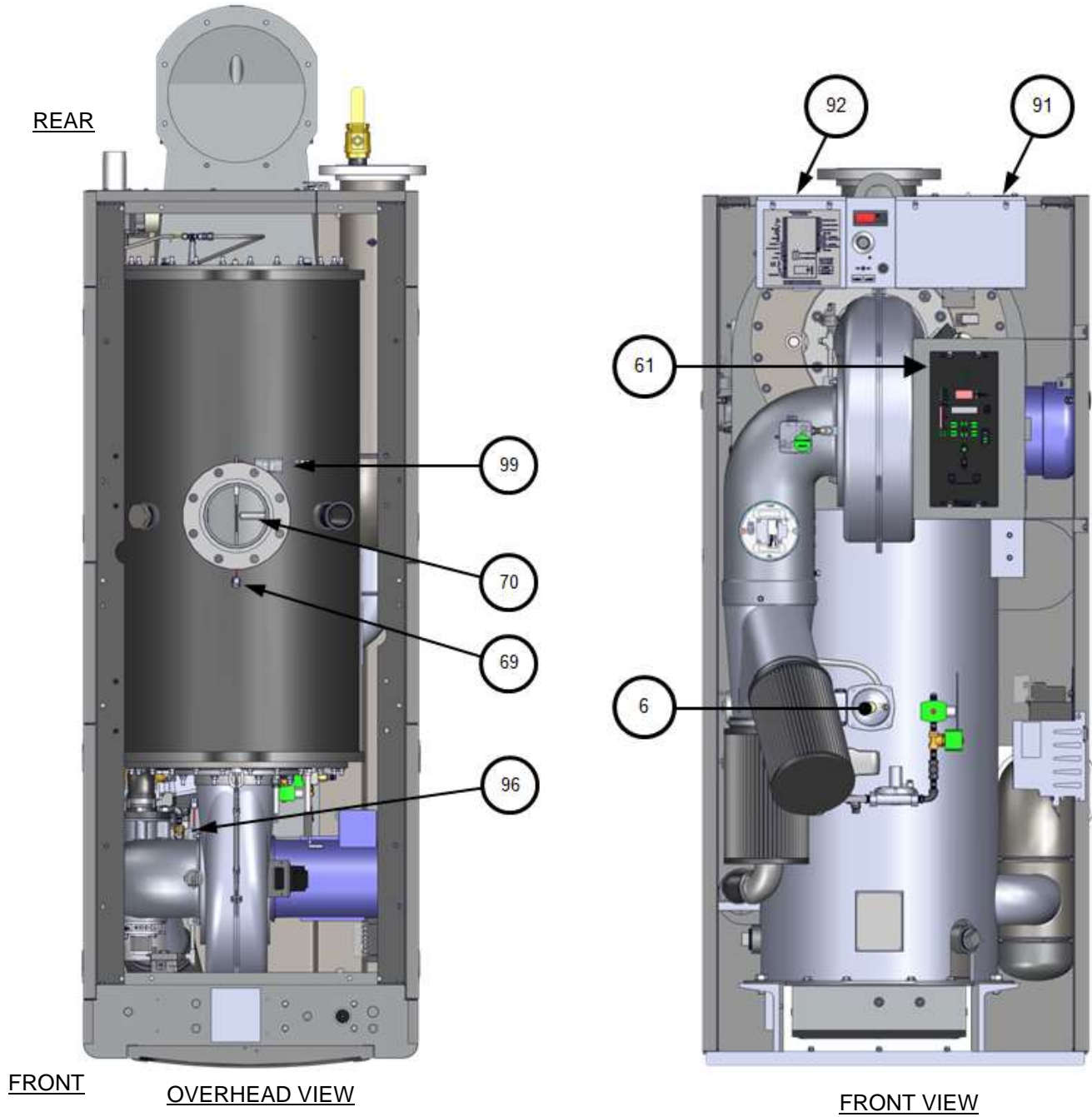


NOTE: Complete Air/Fuel Valve,
 Blower and Burner part list
 shown below

AERCO International, Inc. Blauvelt, NY 10913	Benchmark 5000 & 6000 Part List	04/12/2018
	Whole Boiler P/N 29497-TAB	Sheet 4 of 7

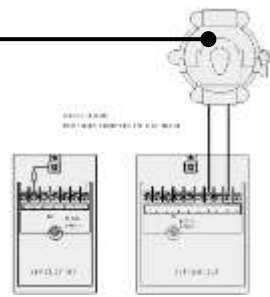


AERCO International, Inc. Blauvelt, NY 10913	Benchmark 5000 & 6000 Part List	04/12/2018
	Whole Boiler P/N 29497-TAB	Sheet 5 of 7



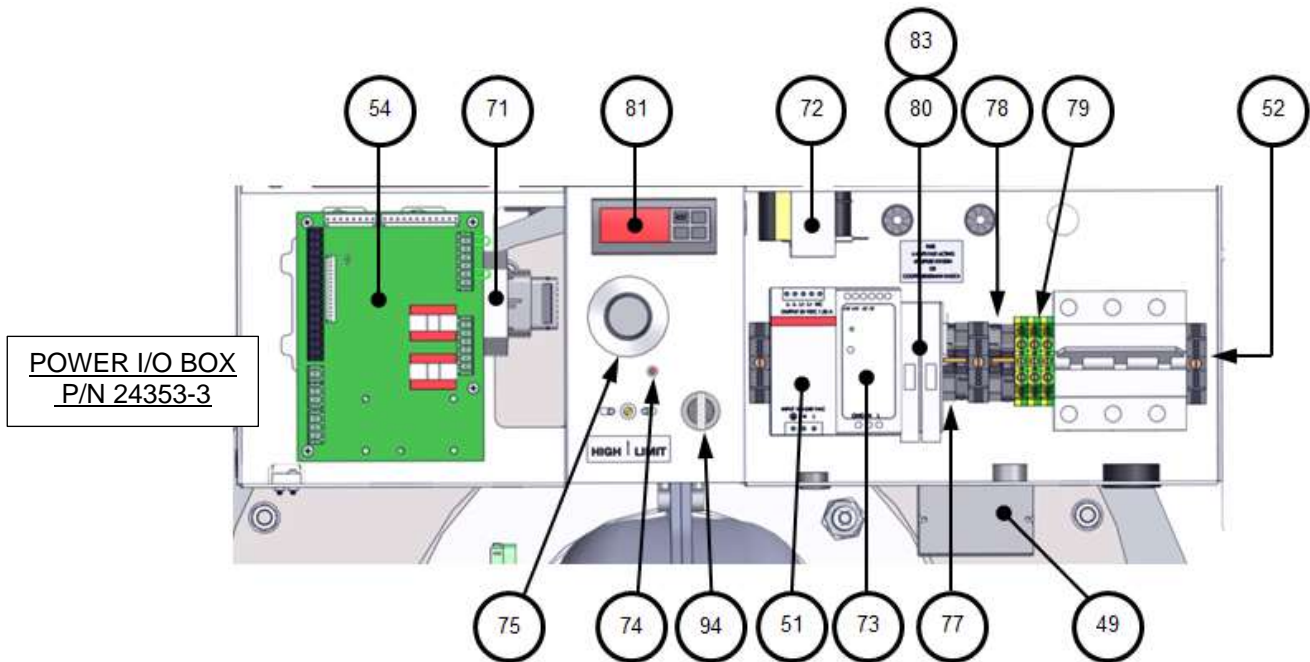
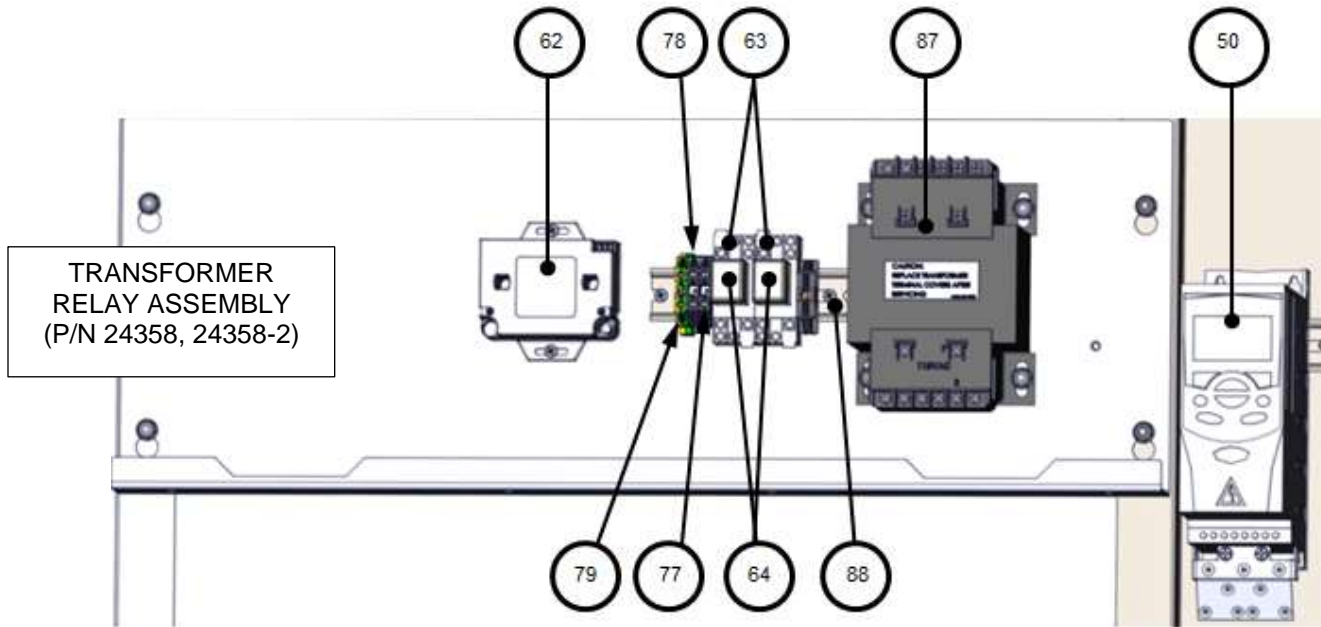
7

DOUBLE BLOCK & BLEED VENT LINE
P/N 22219



AERCO International, Inc. Blauvelt, NY 10913	Benchmark 5000 & 6000 Part List	04/12/2018
	Whole Boiler P/N 29497-TAB	Sheet 6 of 7

APPENDIX F – PART LIST DRAWINGS

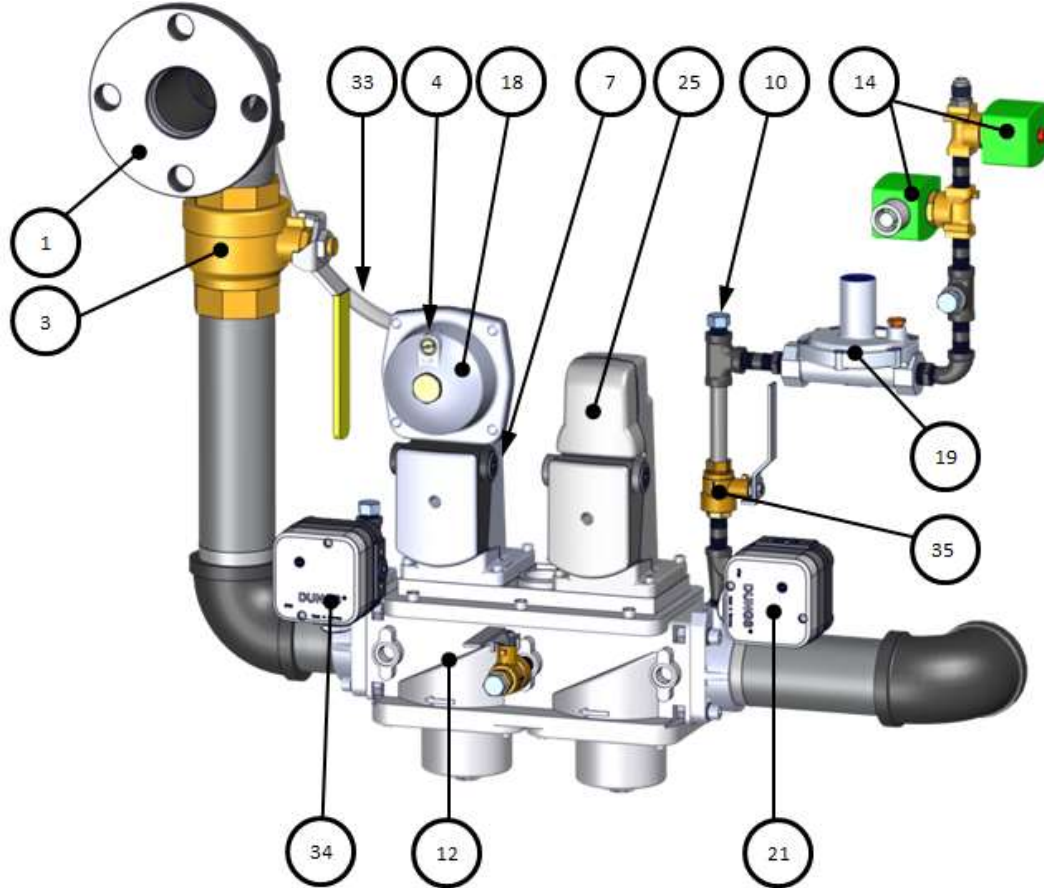


POWER / I/O BOX HARNESSSES (not shown)		
QTY	PART #	DESCRIPTION
1	63004	HARNESS: 460V TRANSFORMER
1	63090	HARNESS ASSY: TEMP LIM CONT PWR
1	63104	I/O INTERLOCK HARNESS
1	63105	I/O SENSOR/COMM HARNESS
1	63111	HARNESS: CONTROL
1	63112	HARNESS: O ₂ SENSOR (Power Box)
1	63121	HARNESS: 12V POWER SOURCE
1	63122	GROUND CABLE: #12
1	63126	BLOWER CONTROL HARNESS

AERCO International, Inc. Blauvelt, NY 10913	Benchmark 5000 & 6000 Part List	04/12/2018
	Whole Boiler P/N 29497-TAB	Sheet 7 of 7

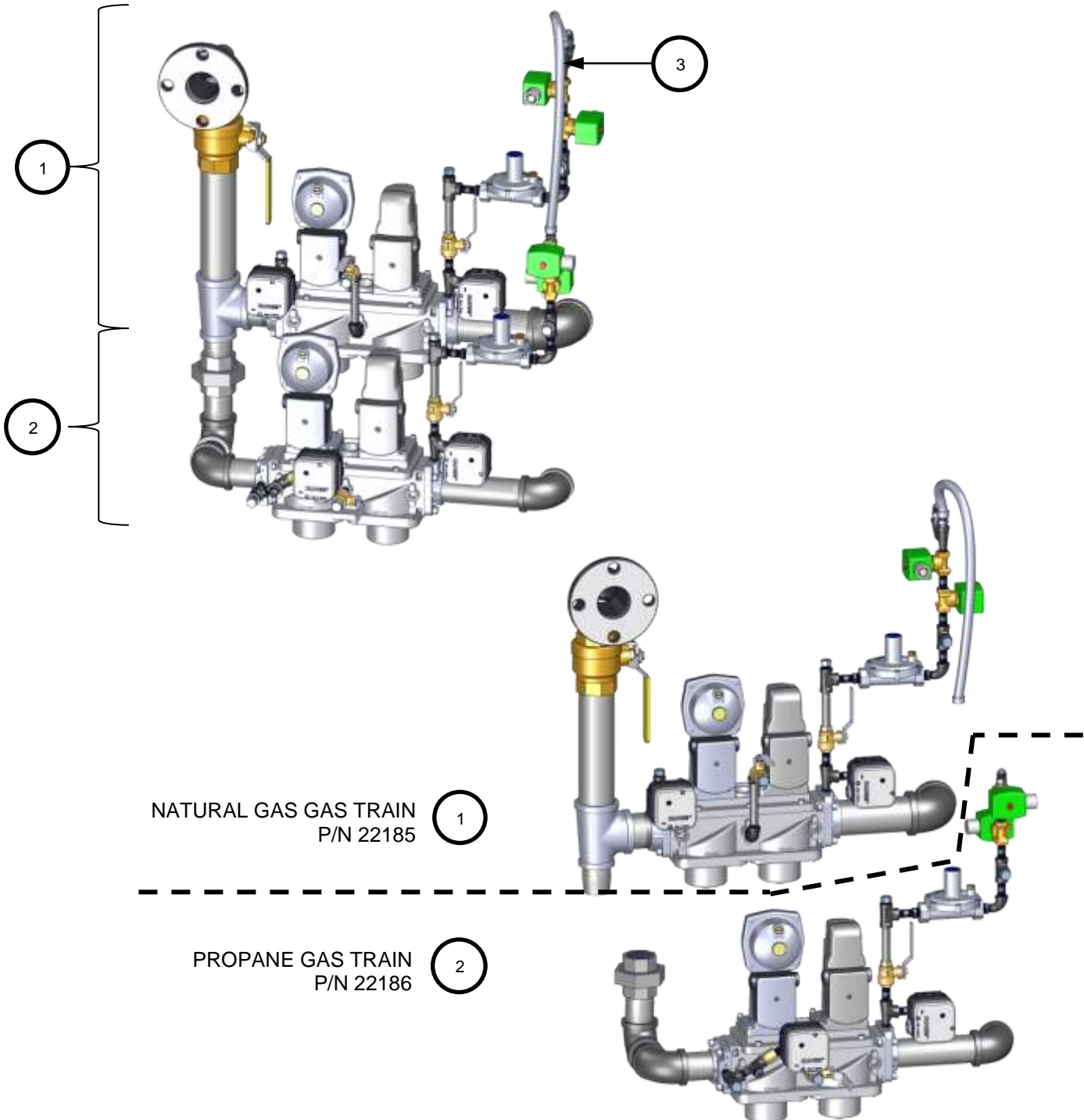
Benchmark 5000 & 6000 FM Gas Train – P/N 22222							
Item	Qty	Part #	Description	Item	Qty	Part #	Description
1	1	123542	FLANGE 2" 125# 2" NPT	19	1	24384	MAXITROL REGULATOR W/ 2-6" SPRING
3	1	123540	VALVE: BALL 2" FULL PORT	20	2	95030	FLANGE: SSOV 2" NPT
4	1	99015	DAMPING ORIFICE: SSOV	21	1	60020	GAS PRESSURE SWITCH: 2-20" W.C.
7	4	12951-2	BUSHING: CONTROL BOX	25	1	27086-2	ACTUATOR: SSOV w POC SWITCH
10	4	9-22	PIPE PLUG: 1/4" NPT: STEEL	26	1	99017	SNUBBER: PRESSURE: 1/4"
12	1	124142	VALVE: SSOV: DOUBLE BODY: 2" NPT	33	1	97087-20	FLEX HOSE, 20"
14	2	58089	SOLENOID VALVE: 1/4" NPT	34	1	60032-1	GAS PRESSURE SWITCH: 1-20" W.C.
18	1	24383	ACTUATOR: SSOV W/ REGULATOR	35	2	92143	1/4" BALL VALVE: WATTS

① Part number of Replacement Kit



AERCO International, Inc. Blauvelt, NY 10913	Benchmark 5000 & 6000 FM Gas Train	10/19/2017
	P/N 22222 rev F	Sheet 1 of 1

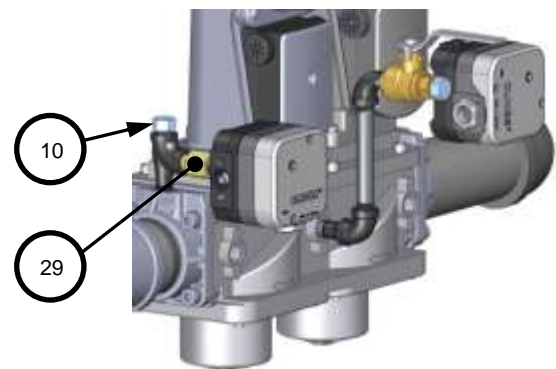
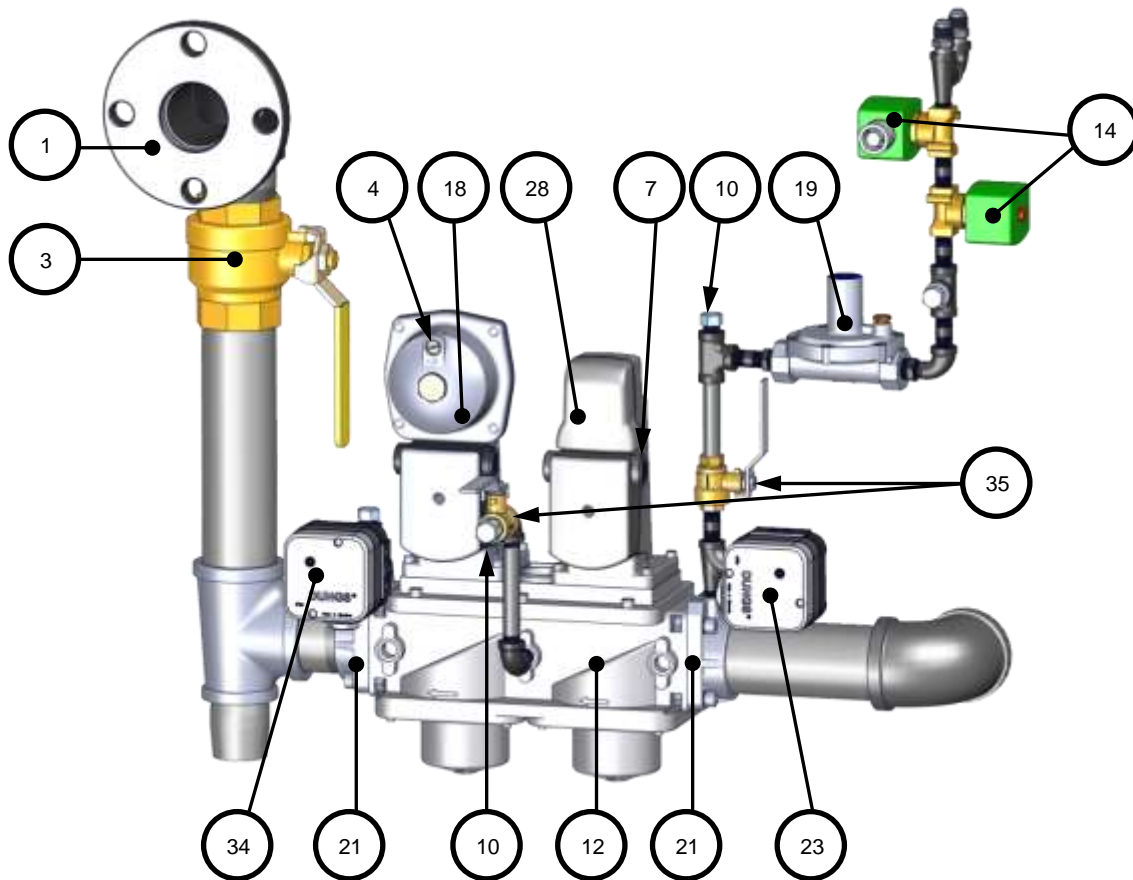
Benchmark 5000 & 6000 Dual Fuel Gas Train – P/N 22187			
Item	Qty	Part #	Description
1	1	22185	DUAL FUEL GAS TRAIN – NATURAL GAS
2	1	22186	DUAL FUEL GAS TRAIN – PROPANE
3	1	970087-26	FLEXIBLE GAS TUBE, 26”



AERCO International, Inc. Blauvelt, NY 10913	Benchmark 5000/6000 Dual Fuel Gas Train	8/28/2017
	P/N 22187 rev E	Sheet 1 of 1

Benchmark 5000 & 6000 Dual Fuel Gas Train – Natural Gas – P/N 22185							
Item	Qty	Part #	Description	Item	Qty	Part #	Description
1	1	123542	FLANGE 2" 125# 2" NPT	19	1	24384	MAXITROL REGULATOR w/ 2-6" SPRING
3	1	123540	VALVE: BALL 2" FULL PORT	21	2	95030	FLANGE: SSOV 2" NPT
4	1	99015	DAMPING ORIFICE: SSOV	23	1	60020	SWITCH: GAS PRESSURE 2-20" W.C.
7	4	12951-2	BUSHING: CONTROL BOX	28	1	27086-2 ❶	ACTUATOR: SSOV
10	4	9-22	PIPE PLUG: 1/4" NPT: STEEL	29	1	99017	SNUBBER: PRESSURE: 1/4"
12	1	124142	VALVE: SSOV: DOUBLE BODY: 2" NPT	34	1	60032-1 ❶	SWITCH: GAS PRESSURE 1-20" W.C.
14	2	58089 ❶	SOLENOID VALVE: 1/4" NPT	35	2	92143	1/4" BALL VALVE: WATTS
18	1	64048 ❶	ACTUATOR: SSOV w/ REGULATOR				

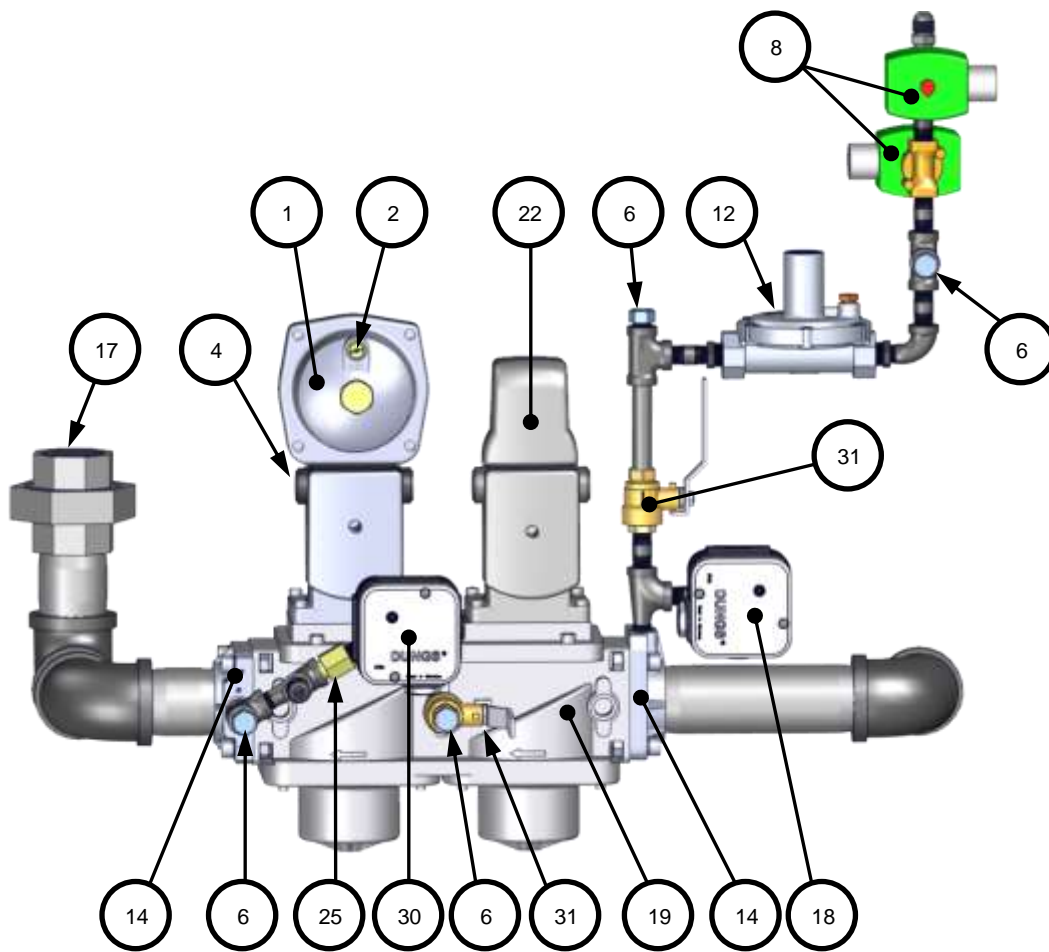
❶ Part number of Replacement Kit



AERCO International, Inc. Blauvelt, NY 10913	Benchmark 5000 & 6000 Dual Fuel Gas Train – Natural Gas	6/12/2018
	22185 rev H (Component of DF Gas Train P/N 22187)	Sheet 1 of 1

Benchmark 5000 & 6000 Dual Fuel Gas Train – Propane – P/N 22186							
Item	Qty	Part #	Description	Item	Qty	Part #	Description
1	1	64048 ❶	ACTUATOR: SSOV w/ REGULATOR	18	1	60020	SWITCH: GAS PRESSURE 2-20" W.C.
2	1	99015	DAMPING ORIFICE: SSOV	19	1	124137	VALVE: SSOV: DOUBLE BODY: 1-1/2" NPT
4	4	12951-2	BUSHING: CONTROL BOX	22	1	27086-2 ❶	ACTUATOR: SSOV
6	5	9-22	PIPE PLUG: 1/4" NPT: STEEL	25	1	99017	SNUBBER: PRESSURE: 1/4"
8	2	58089 ❶	SOLENOID VALVE: 1/4" NPT	29	1	97087-20	FLEX HOSE 20" ❷
12	1	24384	MAXITROL REGULATOR w/ 2-6" SPRING	30	1	60032-1 ❶	SWITCH: GAS PRESSURE 1-20" W.C.
14	2	95029	FLANGE: SSOV 1 1/2" NPT	31	2	92134	1/4" NPT MXF BRASS BALL VALVE
17	1	93310	1-1/2" 150# BLACK IRON UNION				

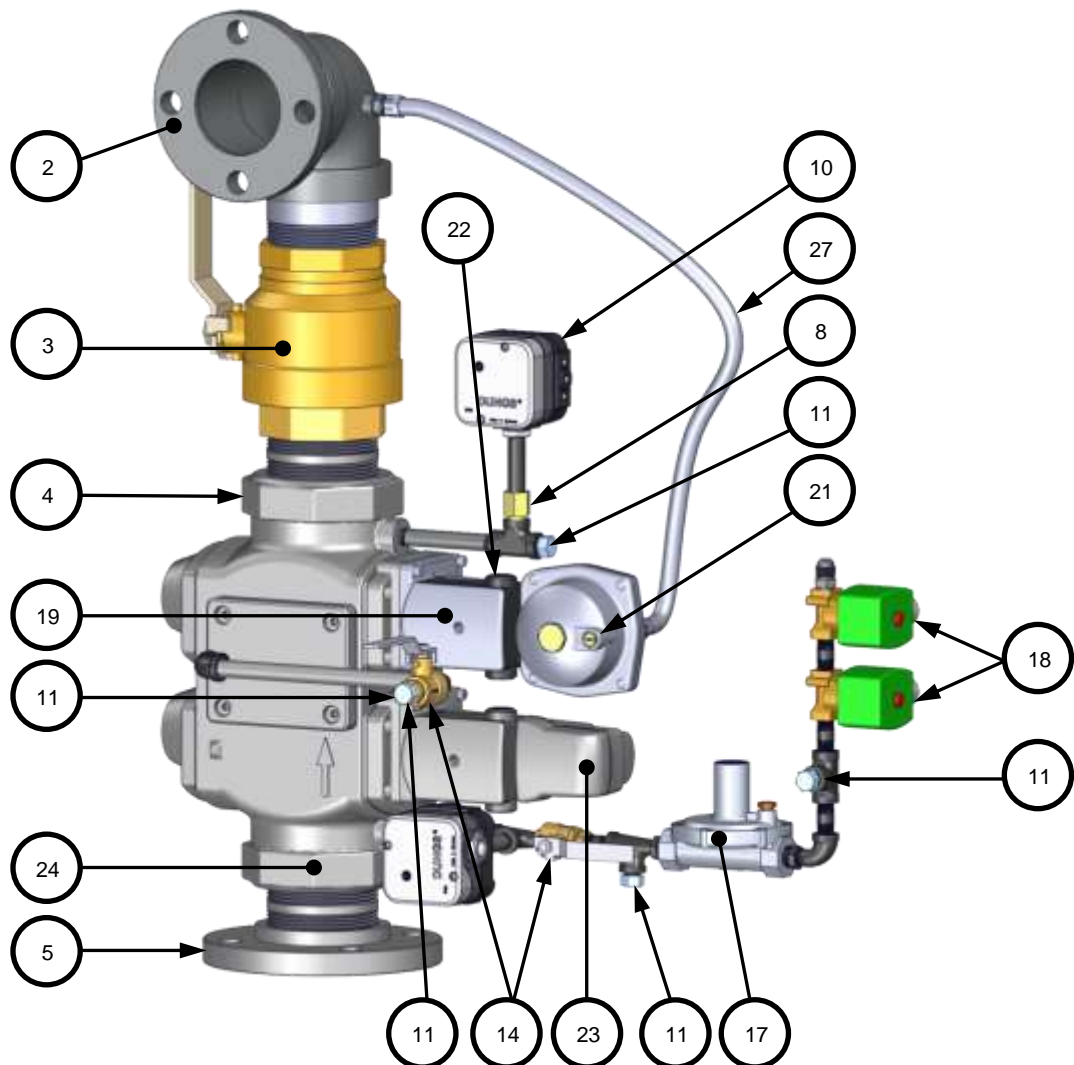
❶ Part number of Replacement Kit, ❷ Not Shown



AERCO International, Inc. Blauvelt, NY 10913	Benchmark 5000 & 6000 Dual Fuel Gas Train – Propane	3/09/2018
	P/N 22186 rev F (Component of DF Gas Train P/N 22187)	Sheet 1 of 1

Benchmark 5000-6000 3" Natural Gas, Low Gas Pressure (LGP) Gas Train – P/N 22308-1							
Item	Qty	Part #	Description	Item	Qty	Part #	Description
2	1	22326	FLANGE/ELBOW WELDED ASSY.	17	1	24384	MAXITROL REGULATOR w/ 2-6" SPRING
3	1	92006-9	VALVE: BALL FULL PORT 3" NPT	18	2	58089 ①	SOLENOID VALVE: 1/4" NPT
4	1	92146	VALVE SSOV: DOUBLE BODY: 3" NPT	19	1	64048 ①	ACTUATOR: SSOV w/ REGULATOR
5	1	95035	FLANGE SCH 40: 3"NPT: 125#: B.I.	21	1	99015	DAMPING ORIFICE: SSOV
8	1	99017	SNUBBER: PRESSURE: 1/4"	22	4	12951-2	BUSHING: CONTROL BOX
10	1	60032-1 ①	SWITCH: GAS PRESSURE 1-20" W.C.	23	1	27086-2 ①	ACTUATOR: SSOV
11	4	9-22	PIPE PLUG: 1/4" NPT: STEEL	24	1	60020	SWITCH: GAS PRESSURE 2-20" W.C.
14	2	92143	1/4" BALL VALVE: WATTS	27	1	97087-26	FLEX HOSE, 26"

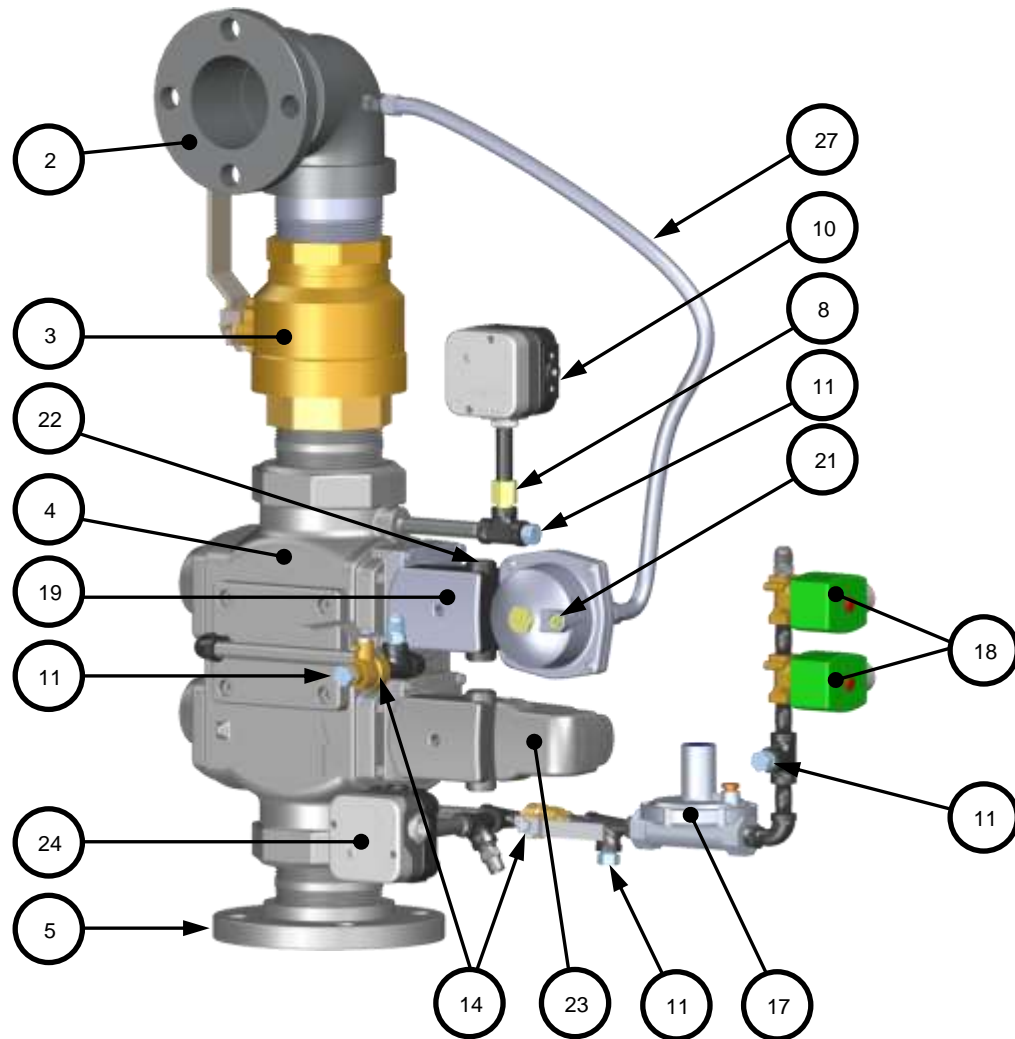
① Part number of Replacement Kit



AERCO International, Inc. Blauvelt, NY 10913	Benchmark 5000 & 6000 3" Natural Gas, LGP Gas Train	7/12/2018
	22308-1 rev B	Sheet 1 of 1

Benchmark 5000-6000 3" Natural Gas, Low Gas Pressure (LGP), FM Gas Train – P/N 22308-2 Combines with Valve Proving System (VPS)							
Item	Qty	Part #	Description	Item	Qty	Part #	Description
2	1	22326	FLANGE/ELBOW WELDED ASSY.	17	1	24384	MAXITROL REGULATOR w/ 2-6" SPRING
3	1	92006-9	VALVE: BALL FULL PORT 3" NPT	18	2	58089 ①	SOLENOID VALVE: 1/4" NPT
4	1	92146	VALVE SSOV: DOUBLE BODY: 3" NPT	19	1	24383 ①	ACTUATOR: SSOV w/ REGULATOR
5	1	95035	FLANGE SCH 40: 3"NPT: 125#: B.I.	21	1	99015	DAMPING ORIFICE: SSOV
8	1	99017	SNUBBER: PRESSURE: 1/4"	22	4	12951-2	BUSHING: CONTROL BOX
10	1	60032-1 ①	SWITCH: GAS PRESSURE 1-20" W.C.	23	1	27086-2 ①	ACTUATOR: SSOV
11	4	9-22	PIPE PLUG: 1/4" NPT: STEEL	24	1	60020	SWITCH: GAS PRESSURE 2-20" W.C.
14	2	92143	1/4" BALL VALVE: WATTS	27	1	97087-26	FLEX HOSE, 26"

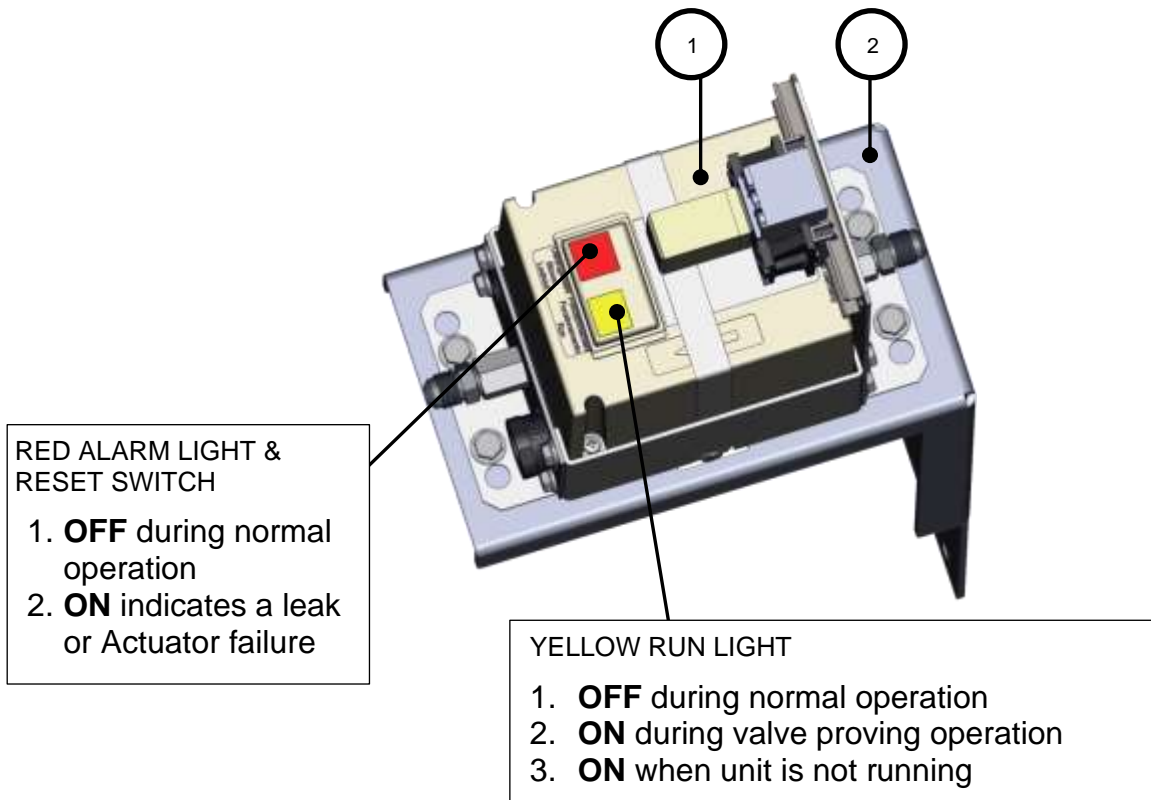
① Part number of Replacement Kit



See Valve Proving System diagram below

AERCO International, Inc. Blauvelt, NY 10913	Benchmark 5000 & 6000 3" Natural Gas, LGP, FM Gas Train, combines with VPS	7/12/2018
	22308-2 rev B	Sheet 1 of 1

Benchmark 5000-6000 Valve Proving System – P/N 24655							
Item	Qty	Part #	Description	Item	Qty	Part #	Description
1	1	24629-5	VALVE PROVING SYSTEM ASSY.	6	1	97087-36	FLEXIBLE GAS TUBE (NOT SHOWN)
2	1	33261	BRACKET, VPS SUPPORT	7	1	97087-26	FLEXIBLE GAS TUBE (NOT SHOWN)



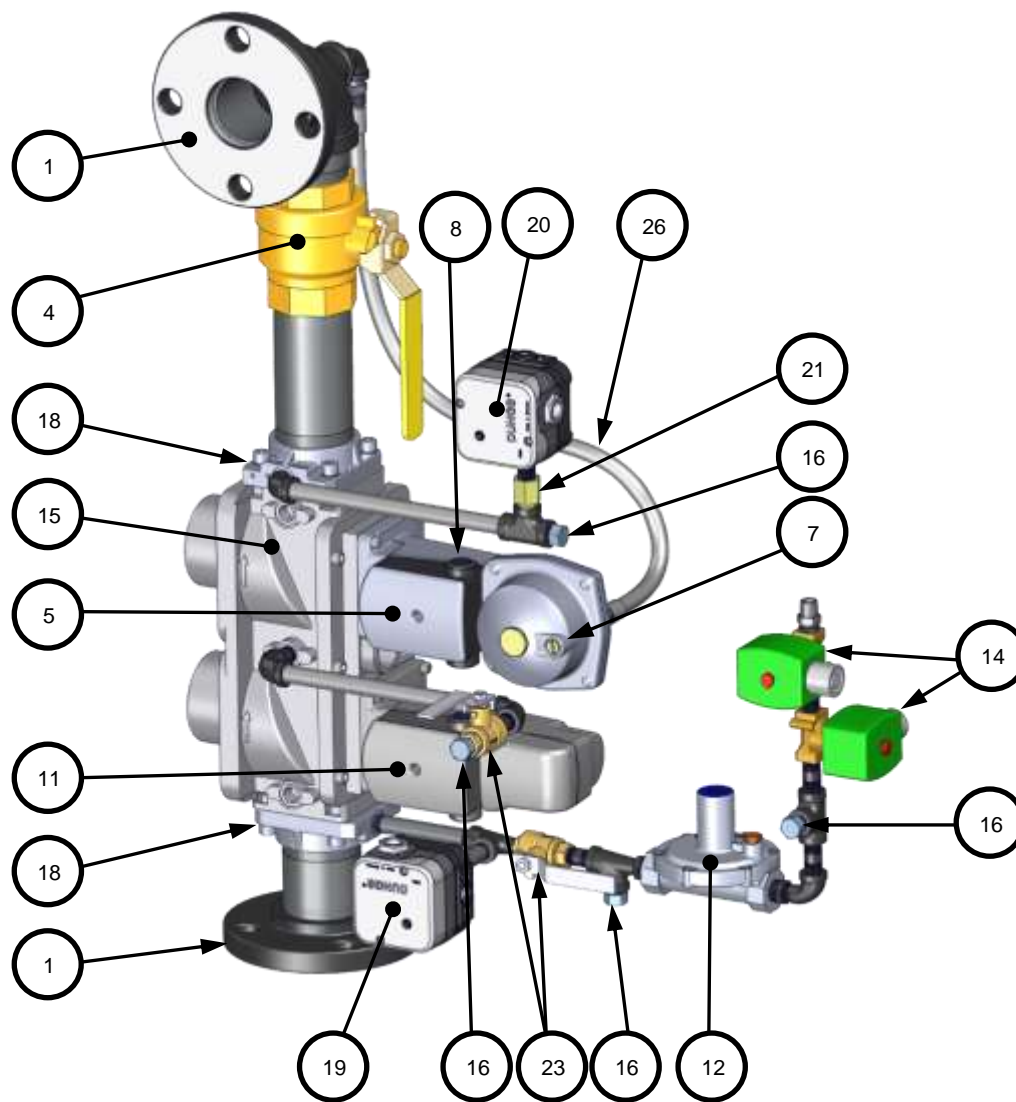
The Benchmark gas train P/N **22308-2** operates in conjunction with a Valve Proving System, P/N **24655**. This system monitors the gas pressure on both sides of the Actuator. If the pressure difference falls below a fixed value, indicating the failure of the Actuator or leakage in the gas line, it triggers the shutdown of the boiler.

Once the problem has been diagnosed and corrected, the Valve Proving System must be reset by pressing the red **Reset** switch before the unit is restarted.

Benchmark 5000-6000 FM Gas Train
P/N 22330-1 rev C – 2/21/2019

Item	Qty	Part #	Description	Item	Qty	Part #	Description
1	2	123542	Flange 2" 125# 2" NPT	15	1	124142	Valve SSOV: Double Body: NPT
4	1	123540	Ball Valve: Full Port 2" NPT	16	4	9-22	Pipe Plug: 1/4" NPT: Steel
5	1	64048 ①	Actuator: SSOV w/ Regulator	18	2	95030	Flange, SSOV 2" NPT
7	1	99015	Damping Orifice: SSOV	19	1	60020	Gas Pressure Switch: 2-20" W.C.
8	4	12951-2	Bushing: Control Box	20	1	60032-1 ①	Gas Pressure Switch: 1-20" W.C.
11	1	27086-2 ①	Actuator: SSOV	21	1	99017	Snubber: Pressure: 1/4"
12	1	24384	Maxitrol Regulator w/ 2-6" Spring	23	2	92143	1/4" Ball Valve: WATTS
14	2	58089 ①	Solenoid Valve: 1/4" NPT	26	1	97087-26	Flex Hose, 26"

① Part number of Replacement Kit

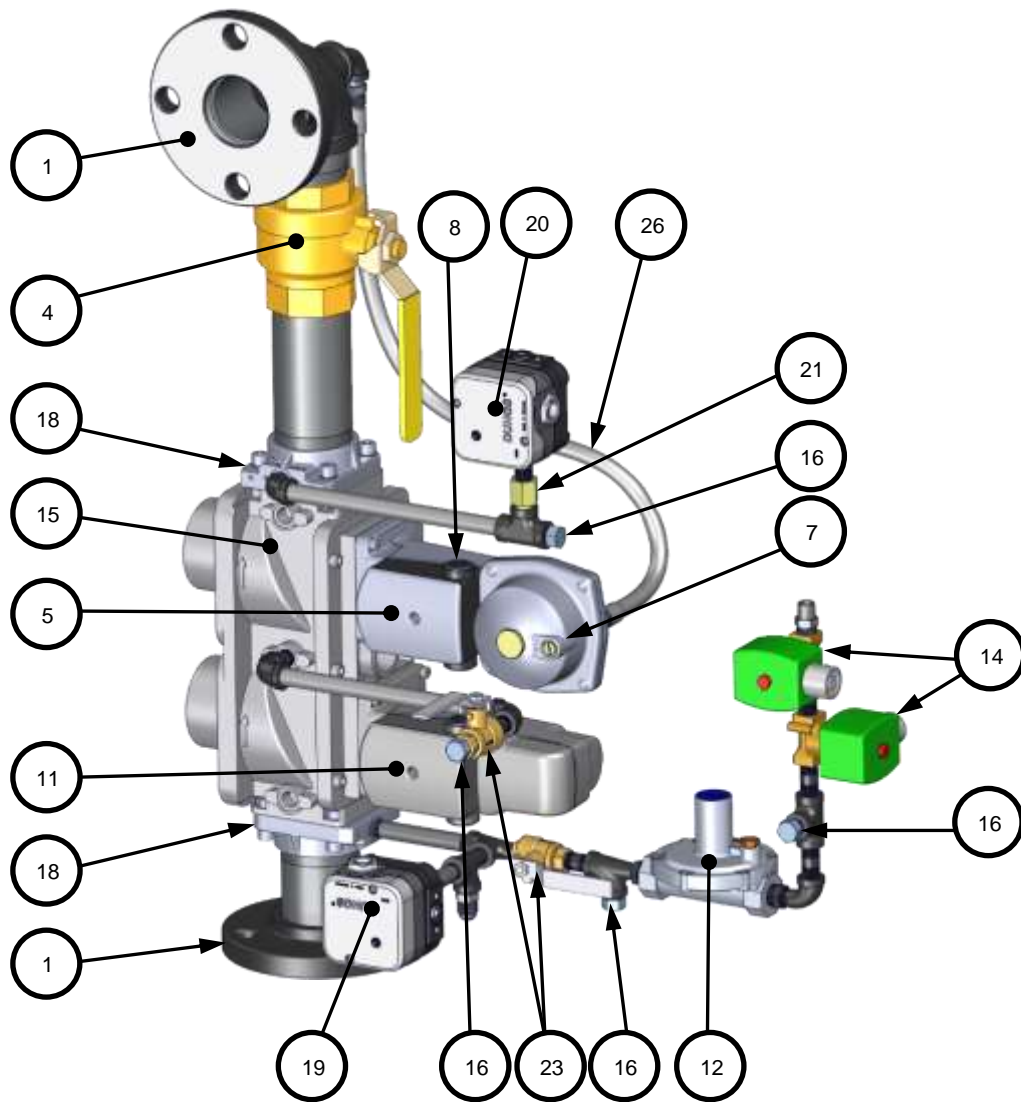


Benchmark 5000-6000 Gas Train with Valve Proving System (VPS)
P/N 22330-2 rev C – 2/25/2019

Item	Qty	Part #	Description	Item	Qty	Part #	Description
1	2	123542	Flange 2" 125# 2" NPT	15	1	124142	Valve SSOV: Double Body: NPT
4	1	123540	Ball Valve: Full Port 2" NPT	16	4	9-22	Pipe Plug: 1/4" NPT: Steel
5	1	64048 ❶	Actuator: SSOV w/ Regulator	18	2	95030	Flange, SSOV 2" NPT
7	1	99015	Damping Orifice: SSOV	19	1	60020	Gas Pressure Switch: 2-20" W.C.
8	4	12951-2	Bushing: Control Box	20	1	60032-1 ❶	Gas Pressure Switch: 1-20" W.C.
11	1	27086-2 ❶	Actuator: SSOV	21	1	99017	Snubber: Pressure: 1/4"
12	1	24384	Maxitrol Regulator w/ 2-6" Spring	23	2	92143	1/4" Ball Valve: WATTS
14	2	58089 ❶	Solenoid Valve: 1/4" NPT	26	1	97087-26	Flex Hose, 26"

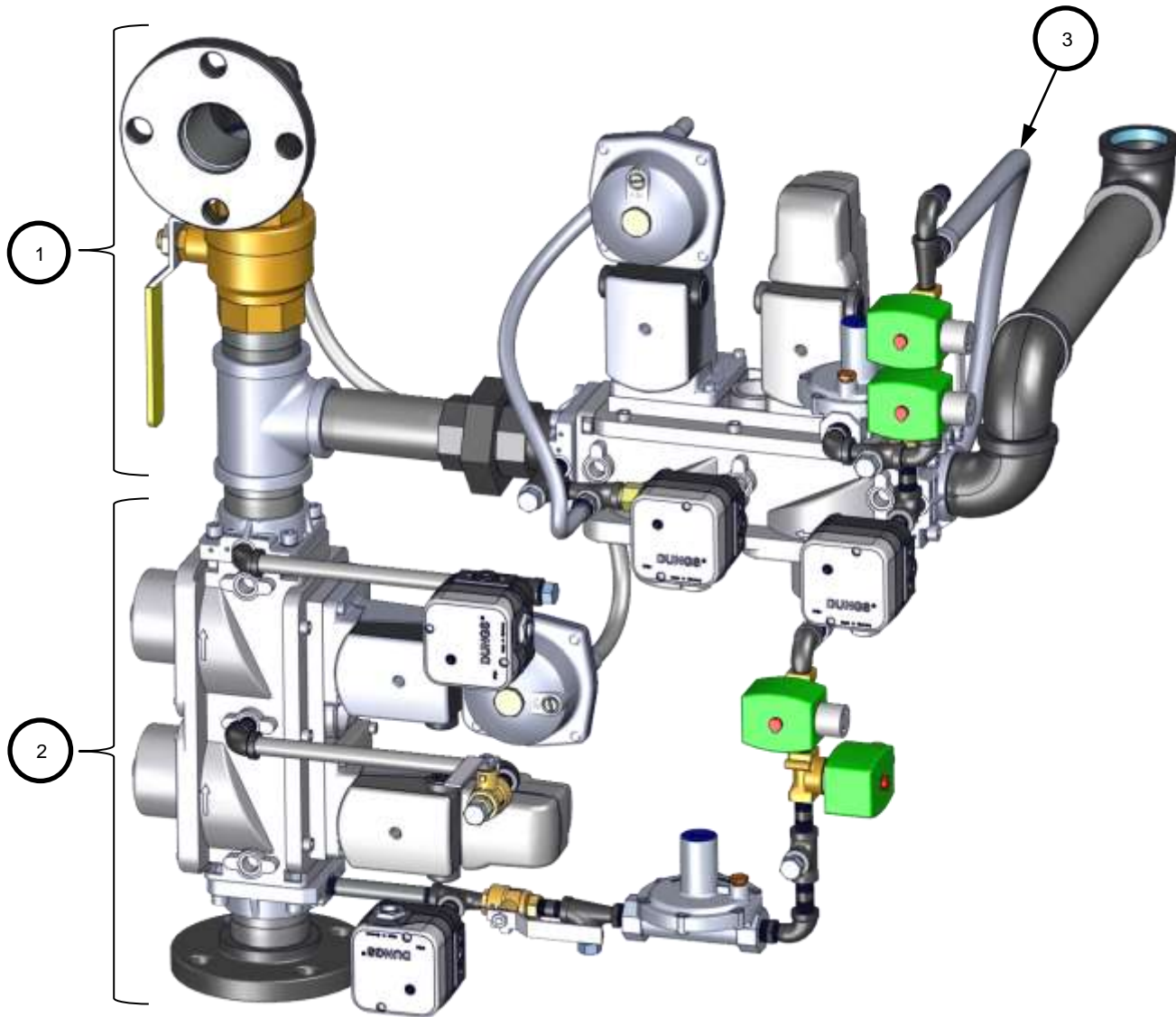
❶ Part number of Replacement Kit

This gas train connects to the Valve Proving System, shown above.



Benchmark 5000 & 6000 Dual Fuel Gas Train
P/N 22328 rev B – 9/11/2018

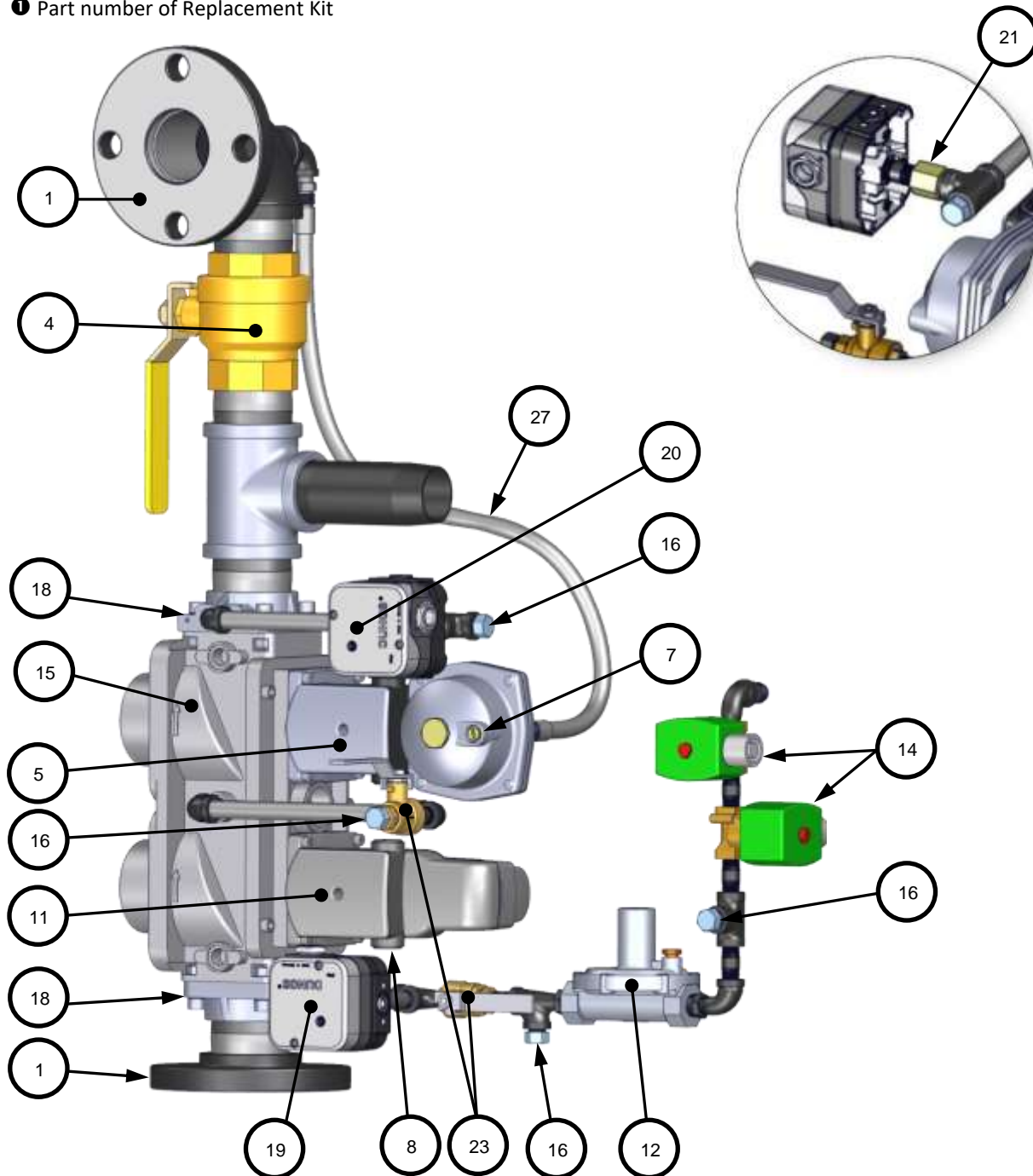
Item	Qty	Part #	Description
1	1	22330-3	Natural Gas Gas Train
2	1	22330-4	Propane Gas Train
3	1	97087-36	Flexible Gas Tube, 36"



Benchmark 5000 & 6000 Dual Fuel Gas Train – Natural Gas
P/N 22330-3 rev C – 2/25/2019 (component of 22328)

Item	Qty	Part #	Description	Item	Qty	Part #	Description
1	2	123542	Flange 2" 125# 2" NPT	15	1	124142	Valve: SSOV: Double Body: 2" NPT
4	1	123540	Ball Valve: 2" Full Port	16	4	9-22	Pipe Plug: 1/4" NPT: Steel
5	1	64048 ❶	Actuator: SSOV w/ Regulator	18	2	95030	Flange: SSOV 2" NPT
7	1	99015	Damping Orifice: SSOV	19	1	60020	Gas Pressure Switch: 2-20" W.C.
8	4	12951-2	Bushing: Control Box	20	1	60032-1 ❶	Gas Pressure Switch: 1-20" W.C.
11	1	27086-2 ❶	Actuator: SSOV	21	1	99017	Snubber: Pressure: 1/4"
12	1	24384	Maxitrol Regulator w/ 2-6" Spring	23	2	92143	Ball Valve, 1/4" WATTS
14	2	58089 ❶	Solenoid Valve: 1/4" NPT	27	1	97087-26	Flex Hose, 26"

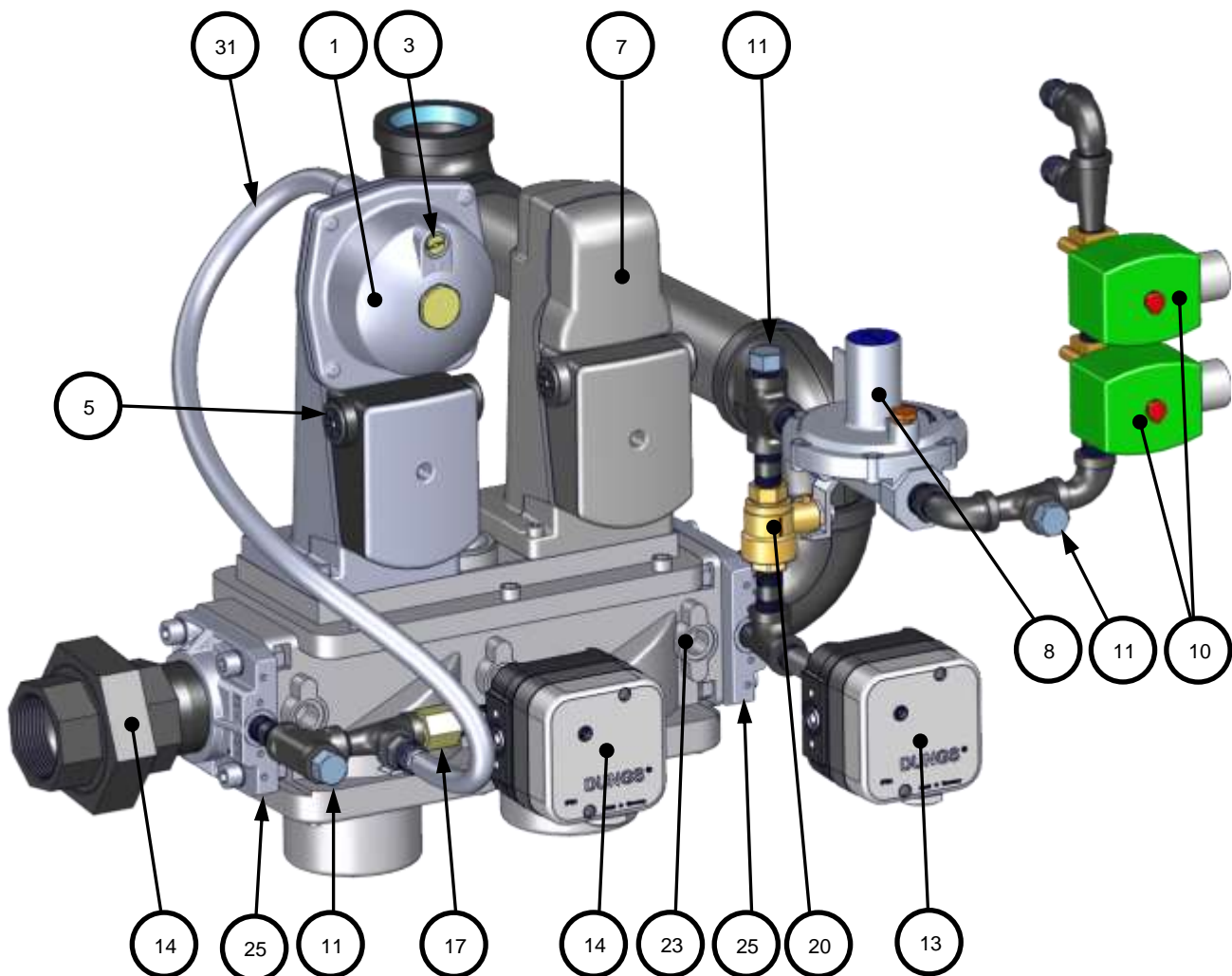
❶ Part number of Replacement Kit



**Benchmark 5000 & 6000 Dual Fuel Gas Train – Propane
P/N 22330-4 rev C – 2/25/2019 (component of 22328)**

Item	Qty	Part #	Description	Item	Qty	Part #	Description
1	1	64048 ❶	Actuator: SSOV w/ Regulator	13	1	60020	Gas Pressure Switch: 2-20" W.C.
3	1	99015	Damping Orifice: SSOV	14	1	60032-1 ❶	Gas Pressure Switch: 1-20" W.C.
5	4	12951-2	Bushing: Control Box	17	1	99017	Snubber: Pressure: 1/4"
7	1	27086-2 ❶	Actuator: SSOV	20	1	92143	Ball Valve, 1/4" WATTS
8	1	24384	Maxitrol Regulator w/ 2-6" Spring	23	1	124137	Valve: SSOV: Double Body: 1-1/2" NPT
10	2	58089 ❶	Solenoid Valve: 1/4" NPT	25	2	95029	Flange: SSOV 1 1/2" NPT
11	3	9-22	Pipe Plug: 1/4" NPT: Steel	31	1	97087-26	FLEX HOSE 26"

❶ Part number of Replacement Kit

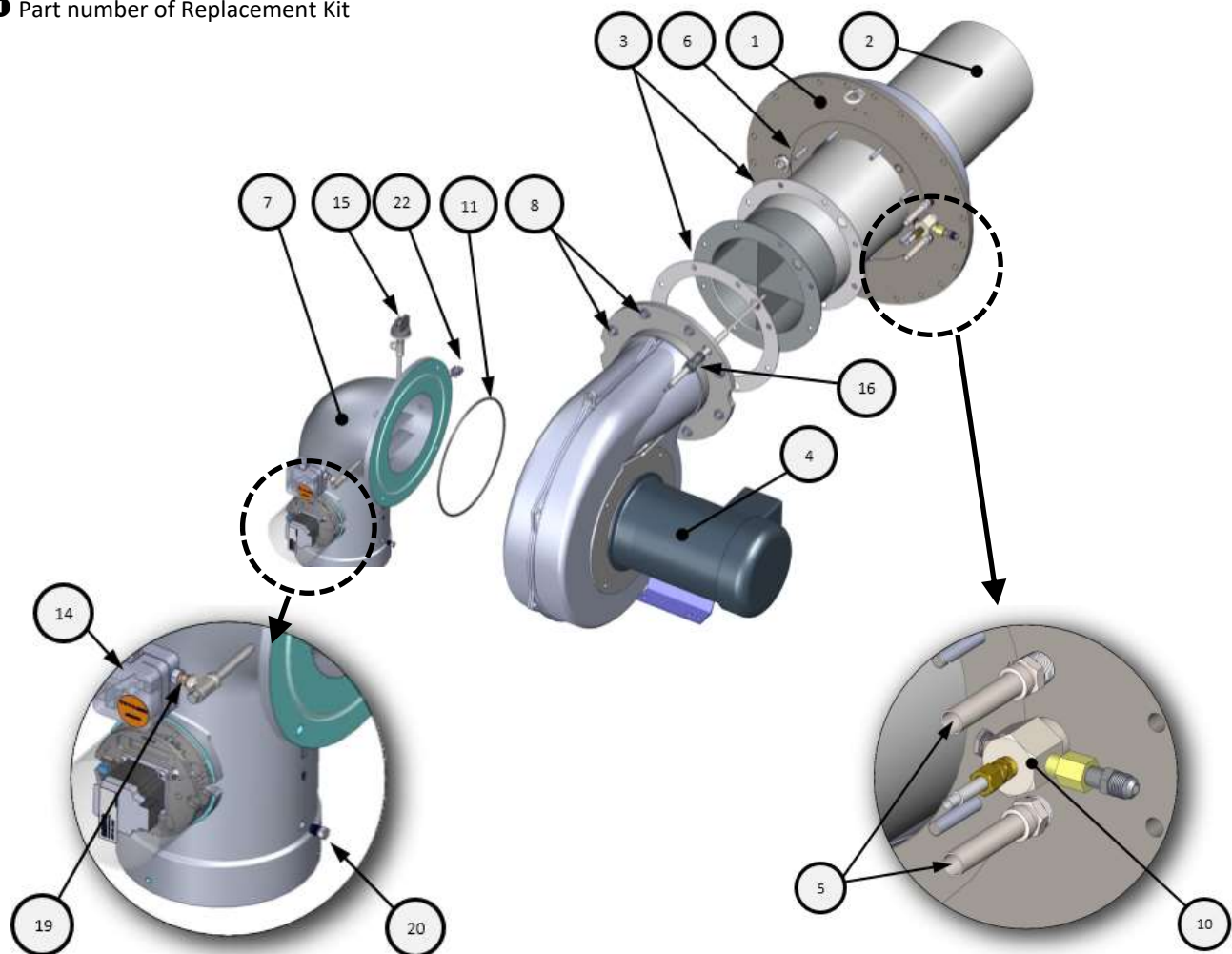


BMK 5000 Burner Assy. P/N 24495-TAB, BMK 6000 Burner Assy. P/N 24328-TAB							
Item	Qty	Part #	Description	Item	Qty	Part #	Description
1	1	24371	FRONT PLATE ASSY	11	1	88016	O-RING #2-378
2	1	46025	BURNER	14	1	60011-4	SWITCH ASSY: BLOWER PROOF
3	2	81159	GASKET: BURNER	15	1	61002-5	BMK 6000 BLOCKED INLET SWITCH -8.0" W.C.
4	1	See Table	BLOWER			61002-23	BMK 5000 BLOCKED INLET SWITCH -3.9" W.C.
5	2	59192	OBSERVATION PORT	16	1	65150	FLAME ROD ASSY
6	1	59140	SIGHT GLASS 1"	19	1	93367	SNUBBER: FAN PROVING SWITCH
7	1	See Table	BMK 6000 A/F VALVE ASSY	20	3	9-21	PLUG, HEX HEAD 1/8" NPT
8	13	56004	3/8-16 NUT: FLANGED	22	1	123449	AIR INLET TEMPERATURE SENSOR
10	1	29700	IGNITOR ASSY.				

BMK 6000 Assy #	Item 4	Item 7
24328-1 460V	65127	58066 ①
24328-2 208V	65127-1	58066 ①
24328-3 575V	65166	58066 ①
24328-4 380V	65218	58066 ①
24328-5 460V LGP	65127	58066-1 ①
24328-6 208V LGP	65127-1	58066-1 ①

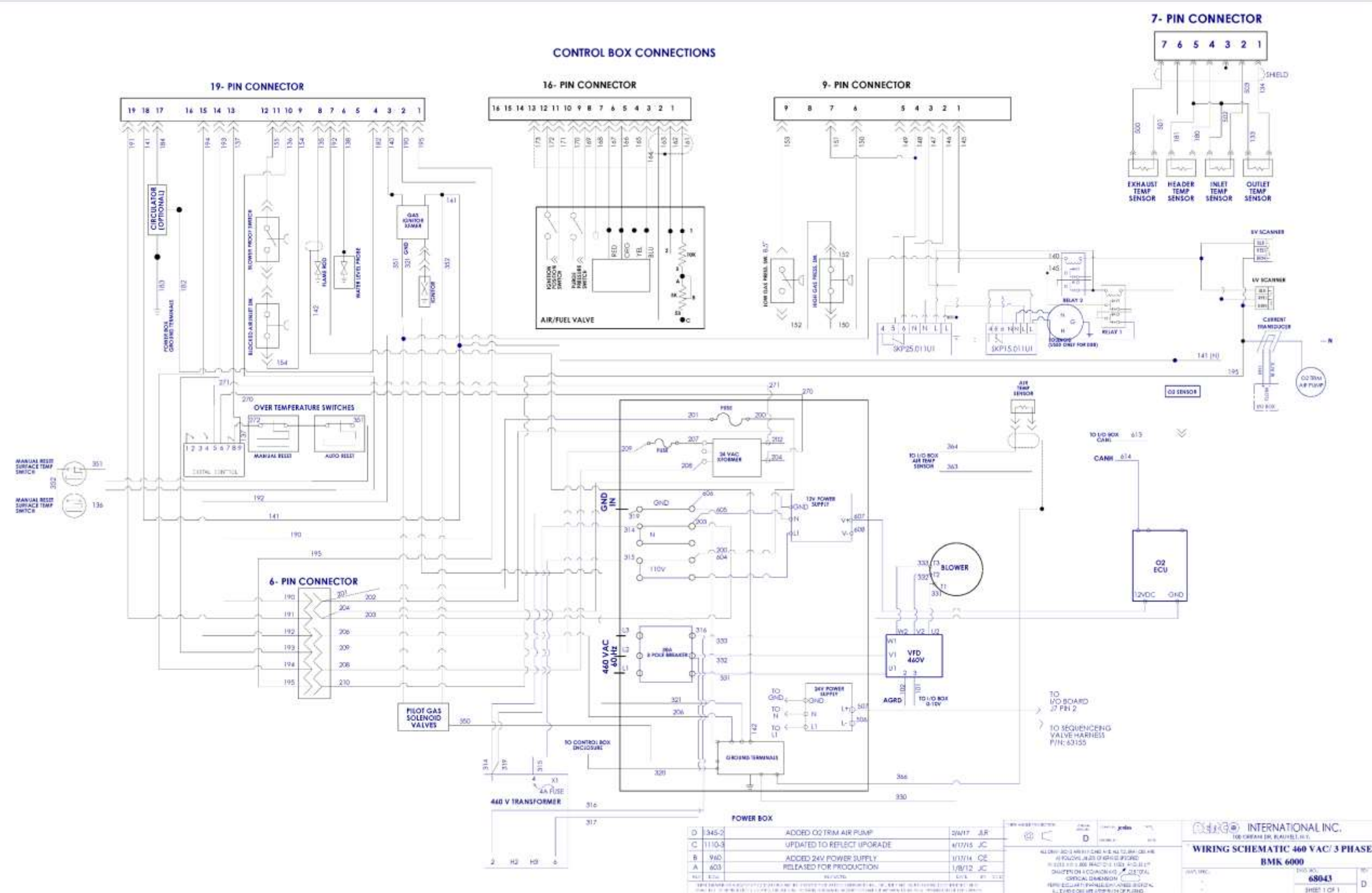
BMK 5000 Assy #	Item 4	Item 7
24495-1 460V	65127	58066 ①
24495-2 208V	65127-1	58066 ①
24495-3 575V	65166	58066 ①
24495-4 380V	65218	58066 ①
24495-5 460V LGP	65127	58066-1 ①
24495-6 208V LGP	65127-1	58066-1 ①

① Part number of Replacement Kit

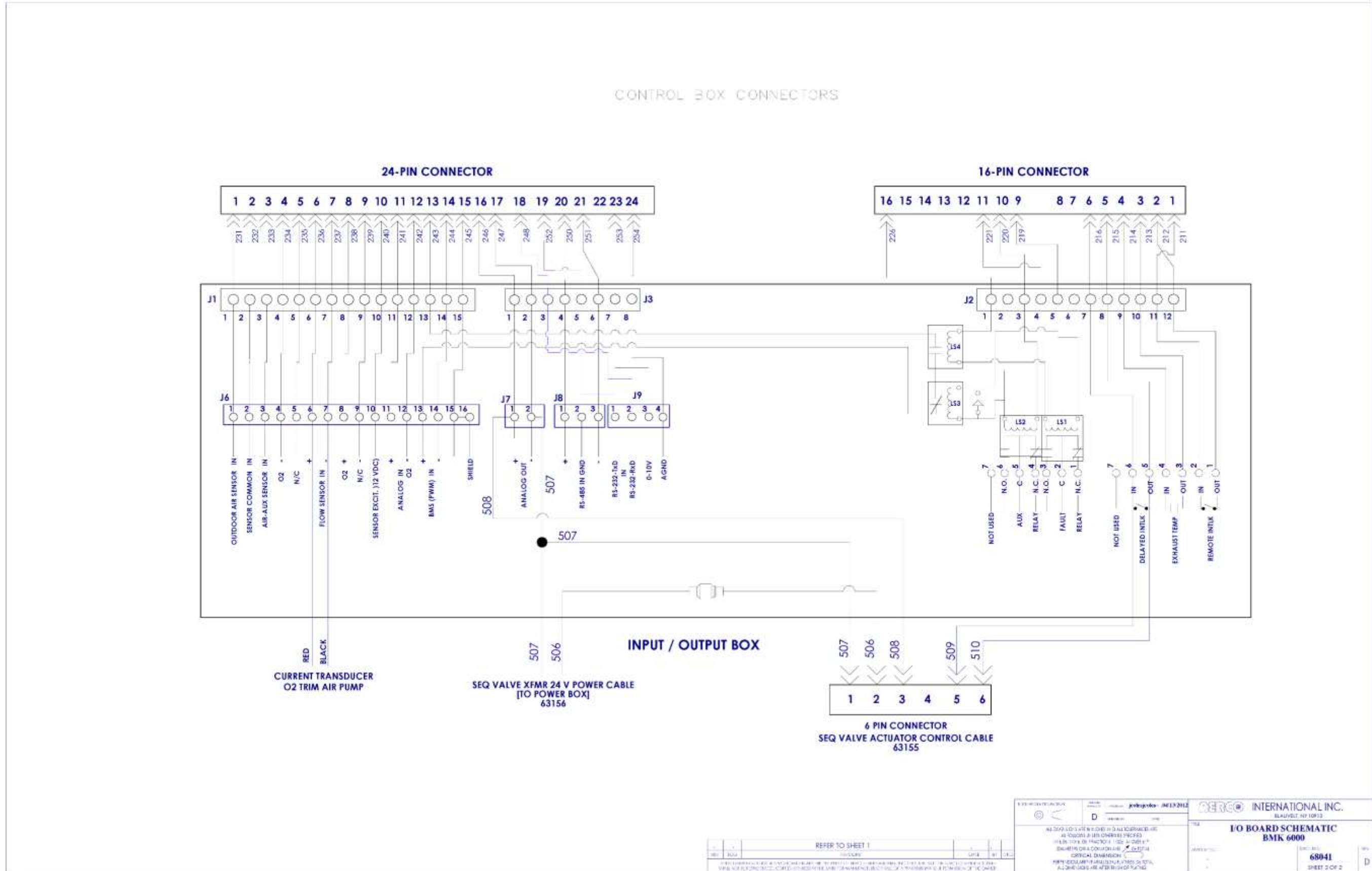


AERCO International, Inc. Blauvelt, NY 10913	Benchmark 5000 & 6000 Burner Assembly	03/16/2018
	BMK 5000: 24495-TAB rev D BMK 6000: 24328-4 rev J	Sheet 1 of 1

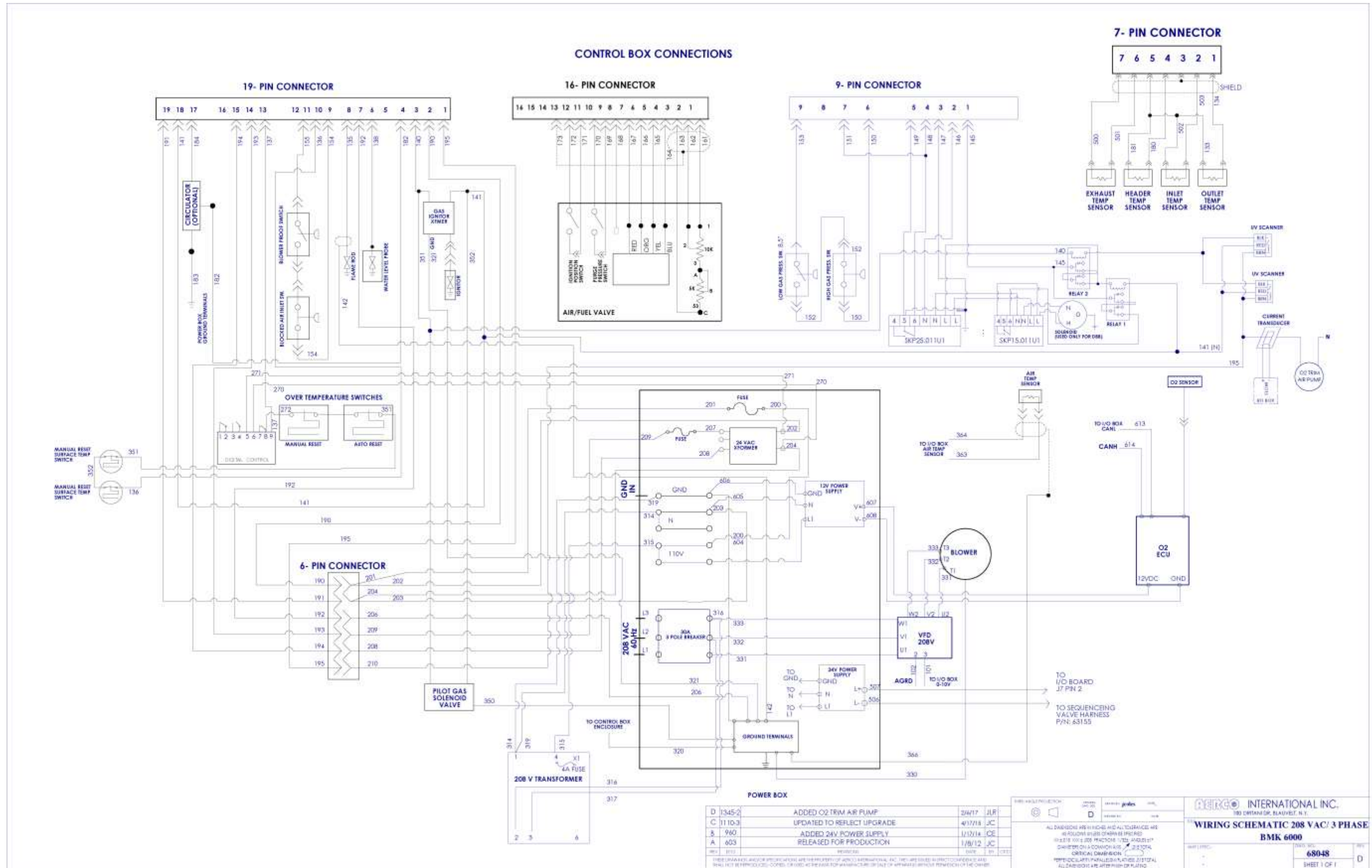
Appendix G: WIRING DIAGRAMS



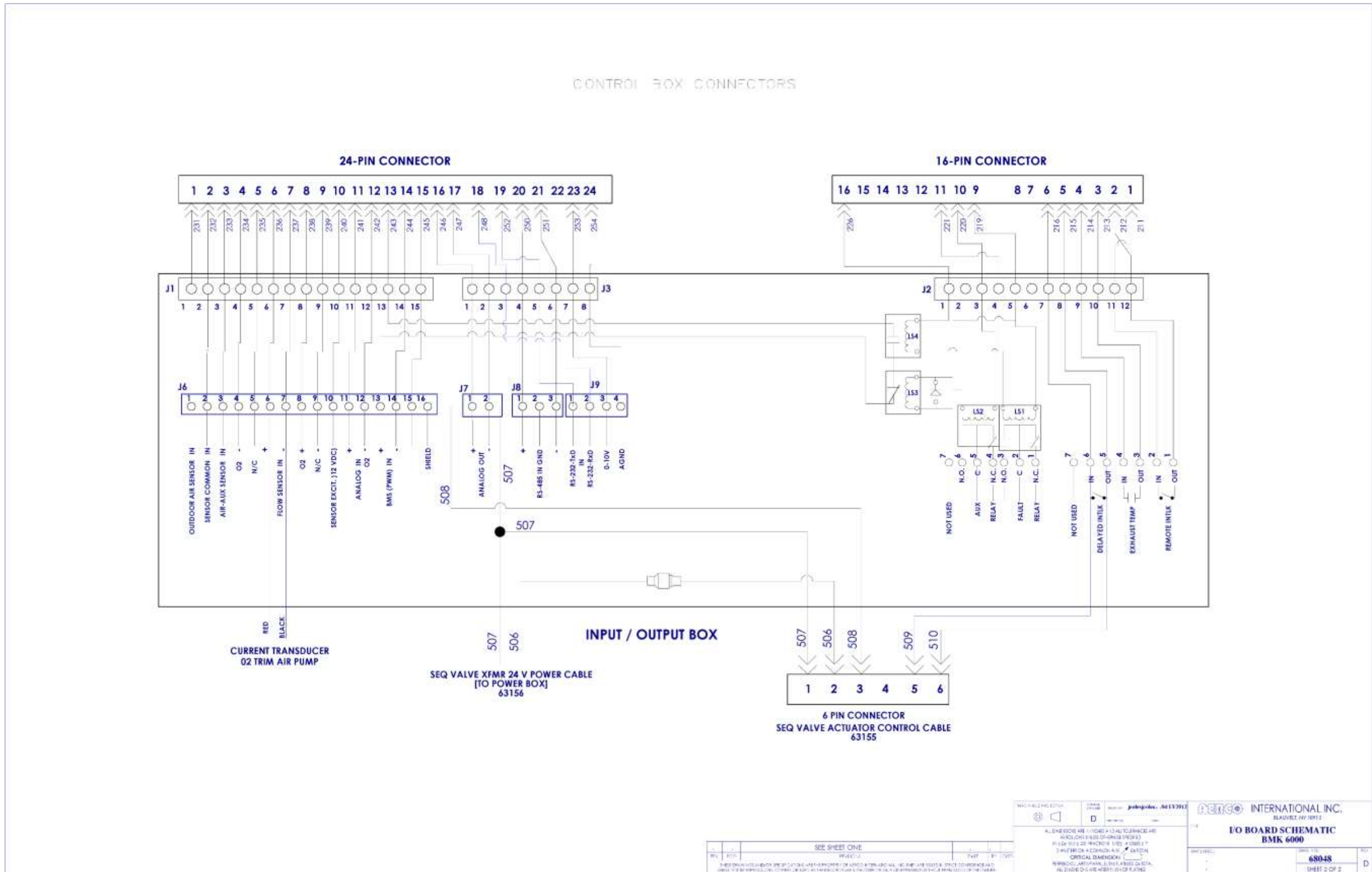
Wiring Diagram 68043 rev D Sheet 1 of 2



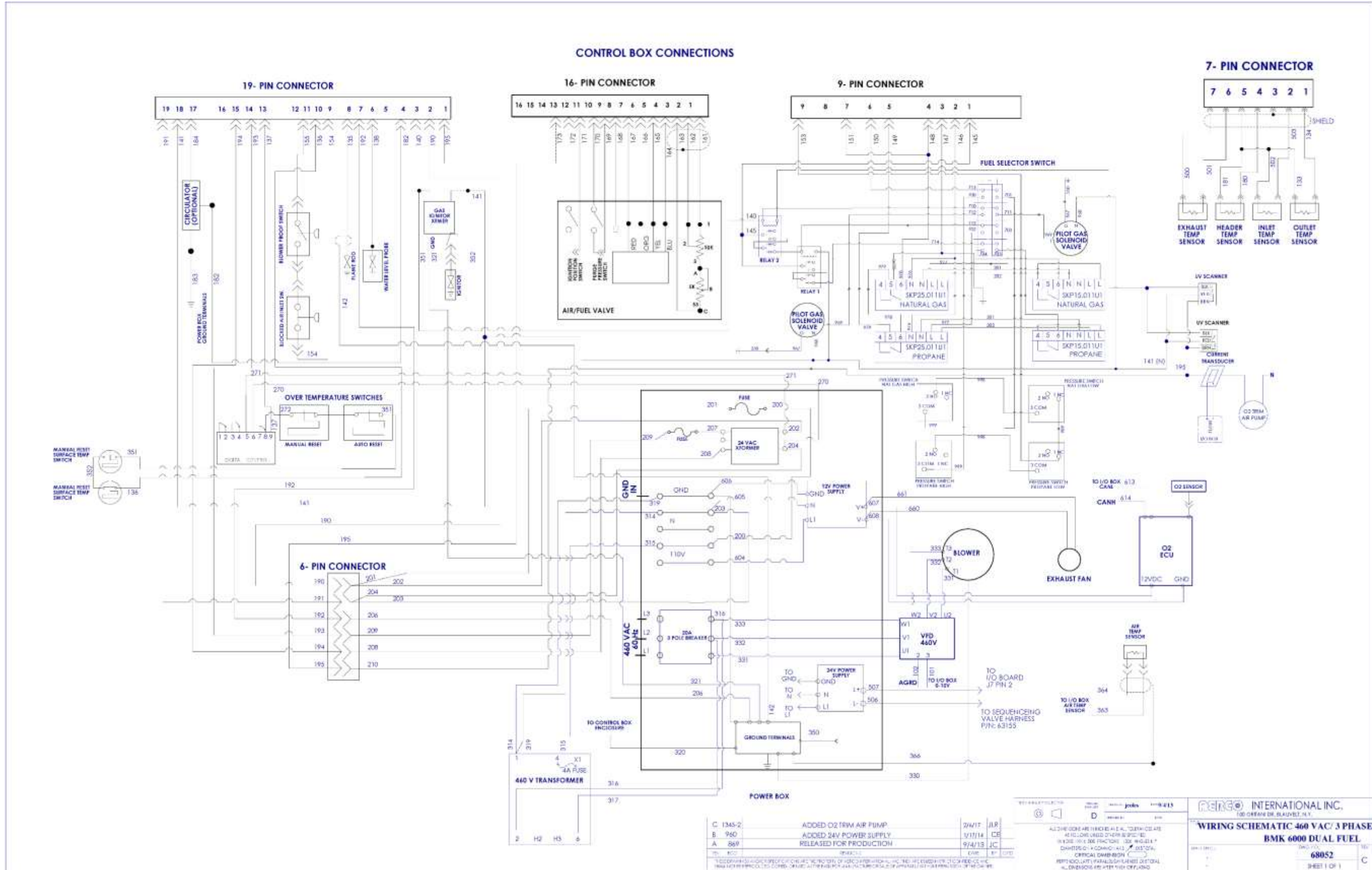
Wiring Diagram 68043 rev D Sheet 2 of 2



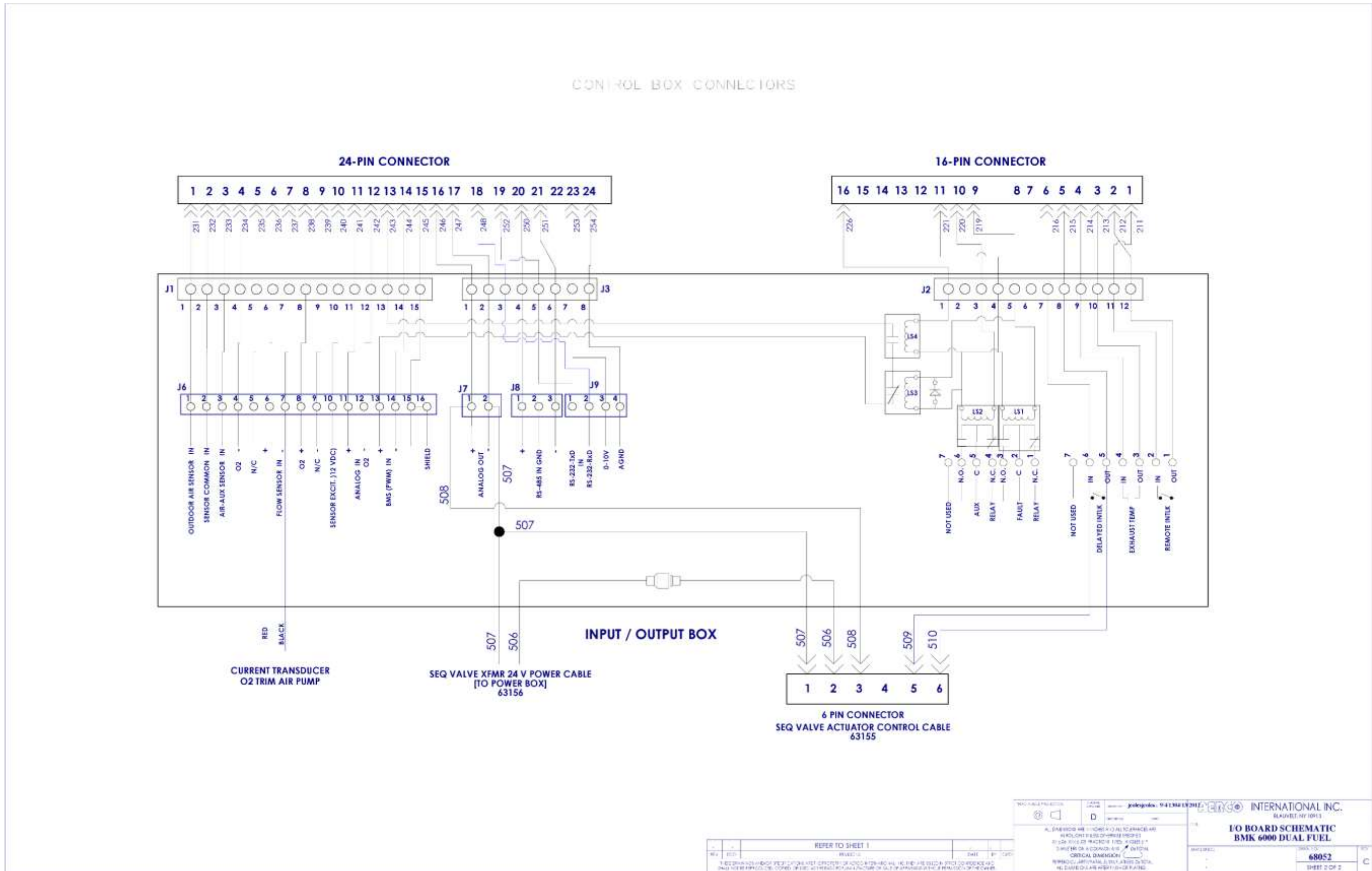
Wiring Diagram 68048 rev D Sheet 1 of 2



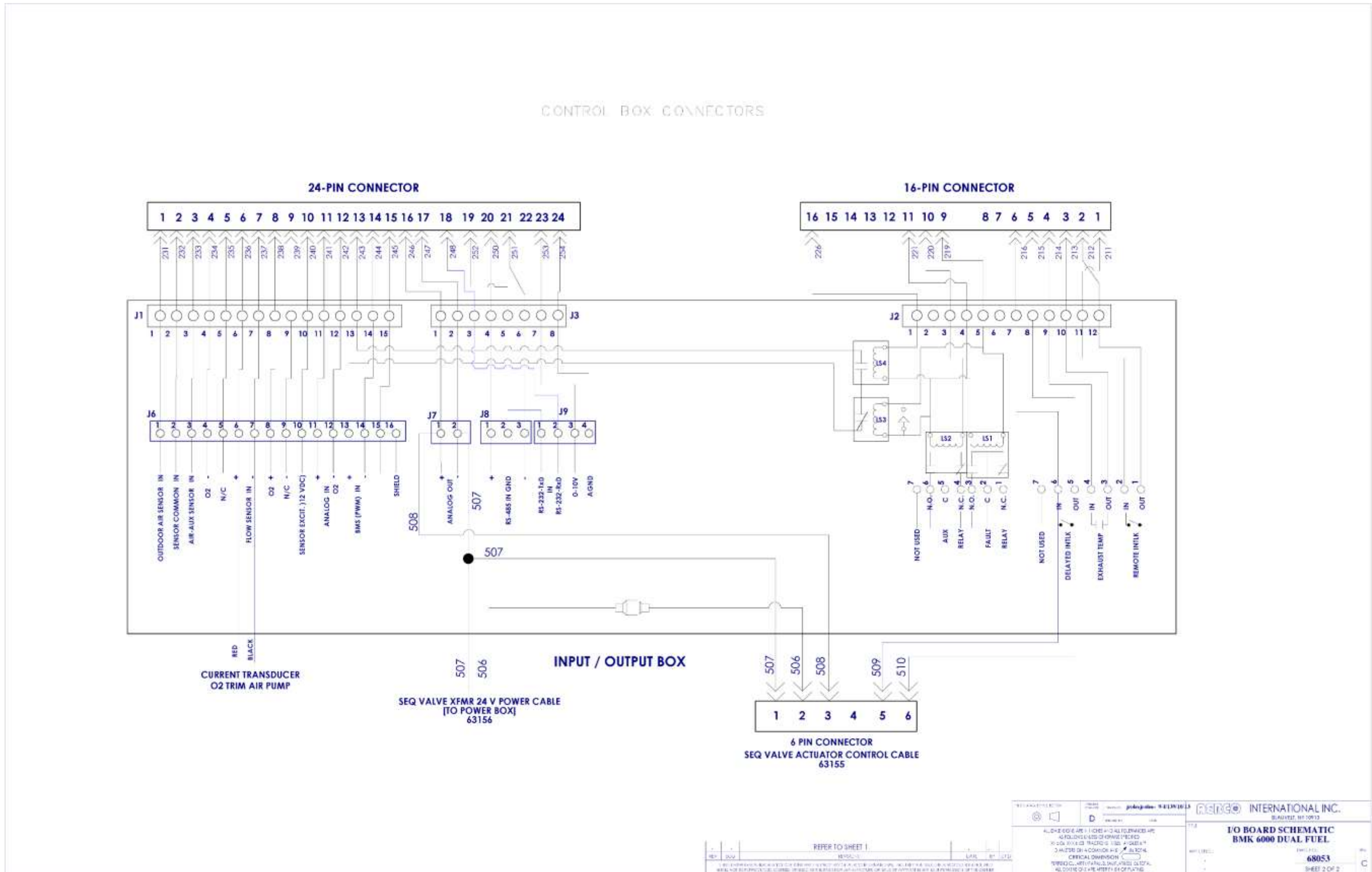
Wiring Diagram 68048 rev D Sheet 2 of 2



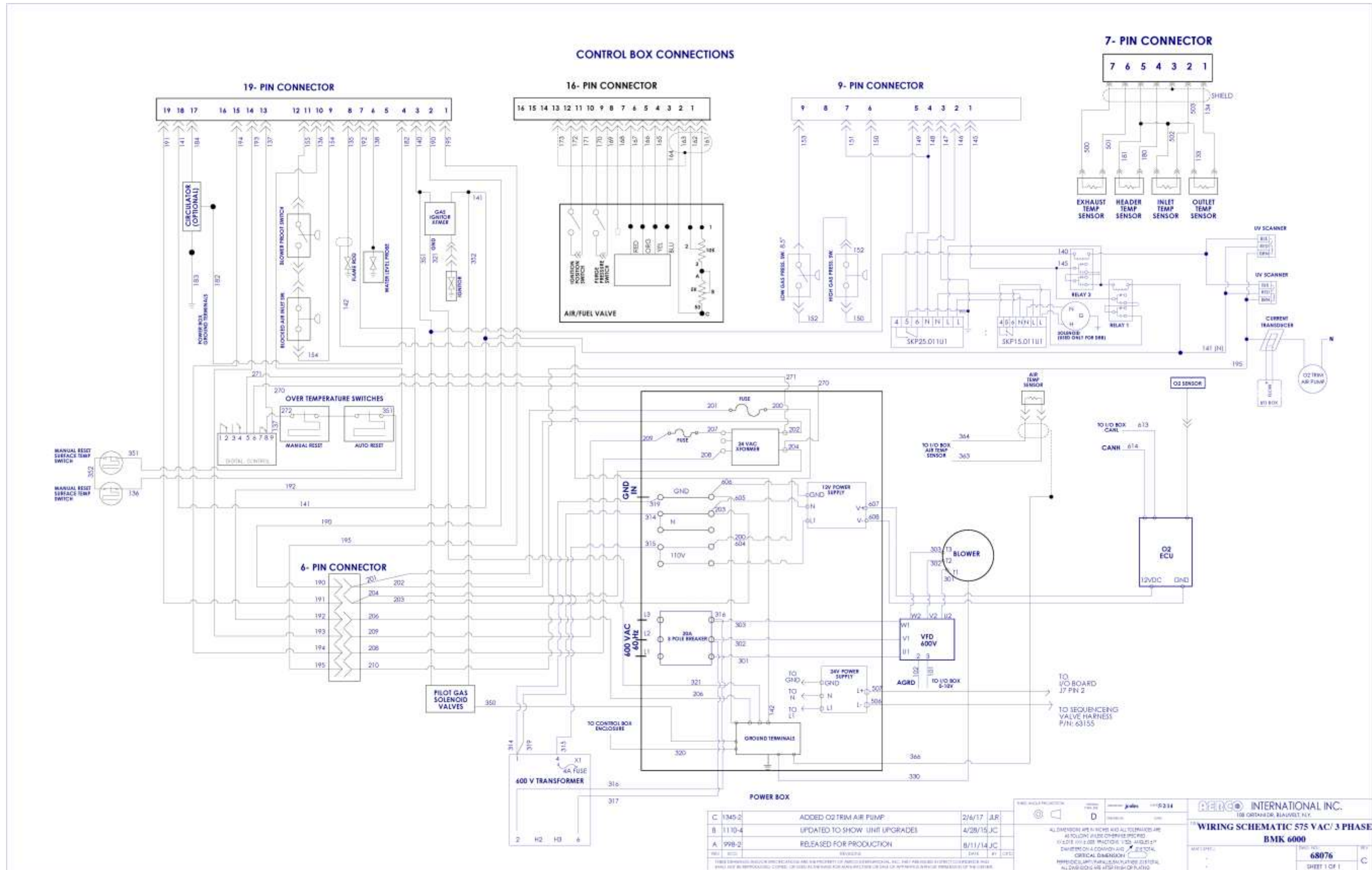
Wiring Diagram 68052 rev C Sheet 1 of 2



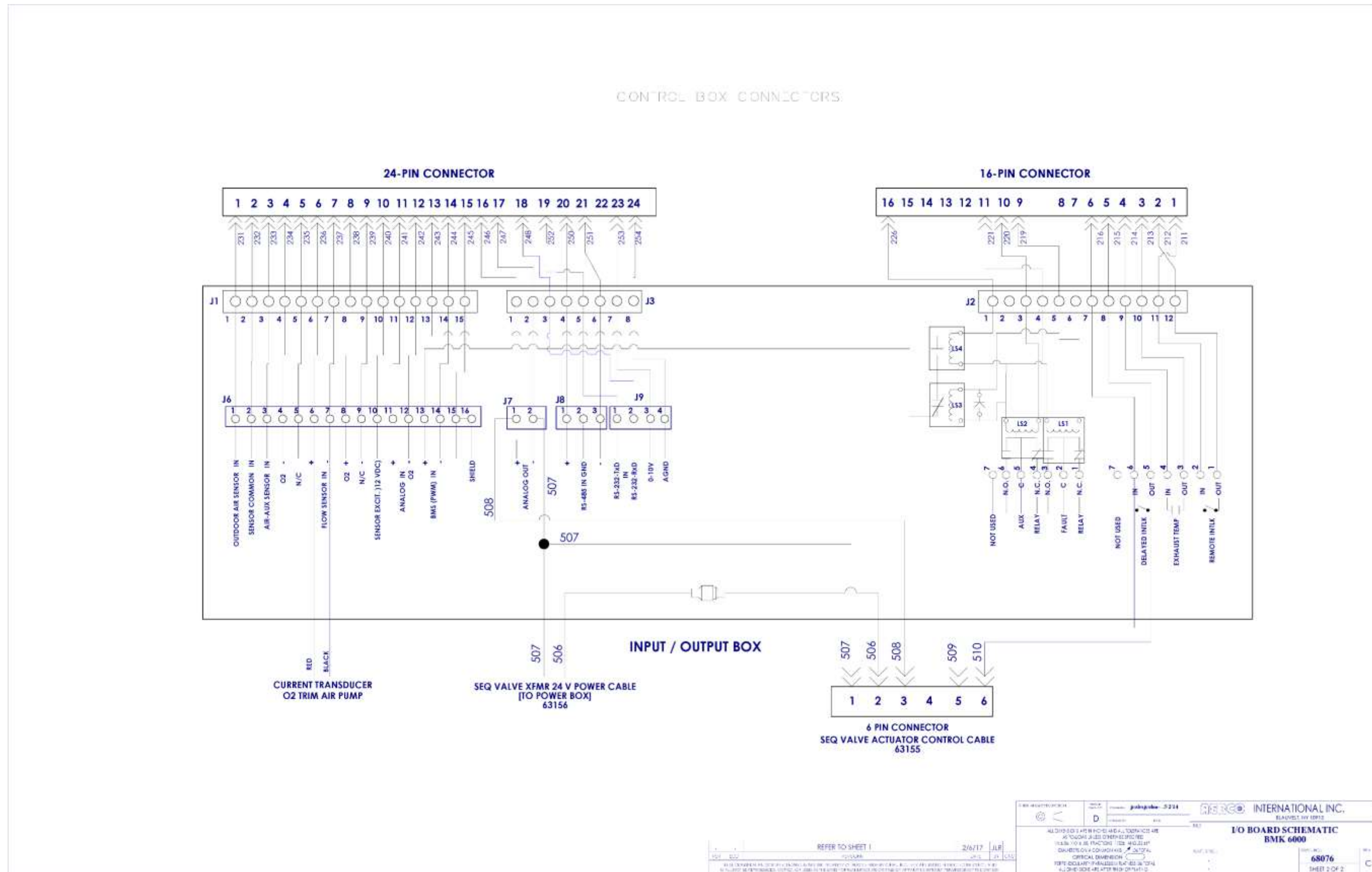
Wiring Diagram 68052 rev C Sheet 2 of 2



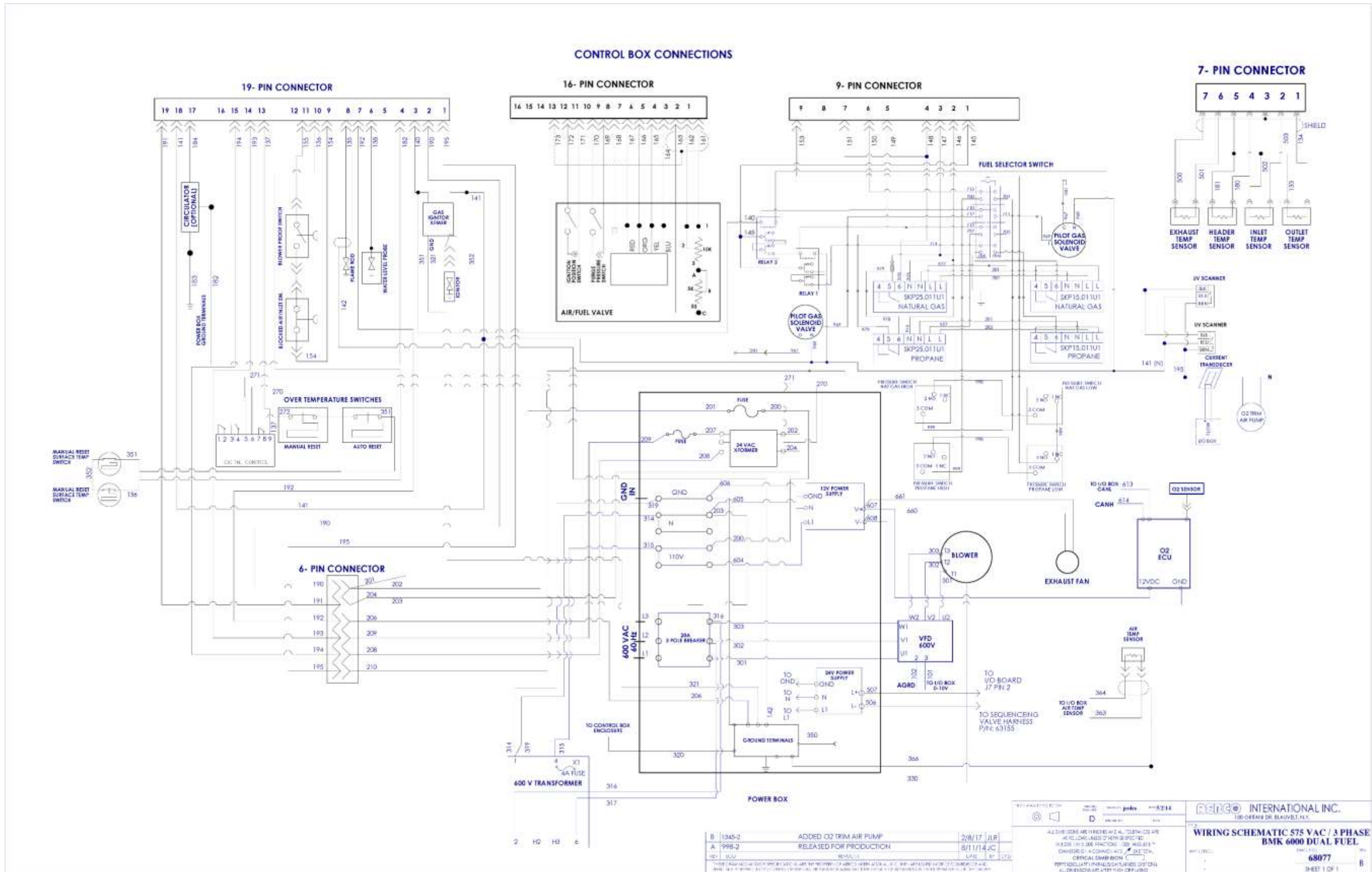
Wiring Diagram 68053 rev C Sheet 2 of 2



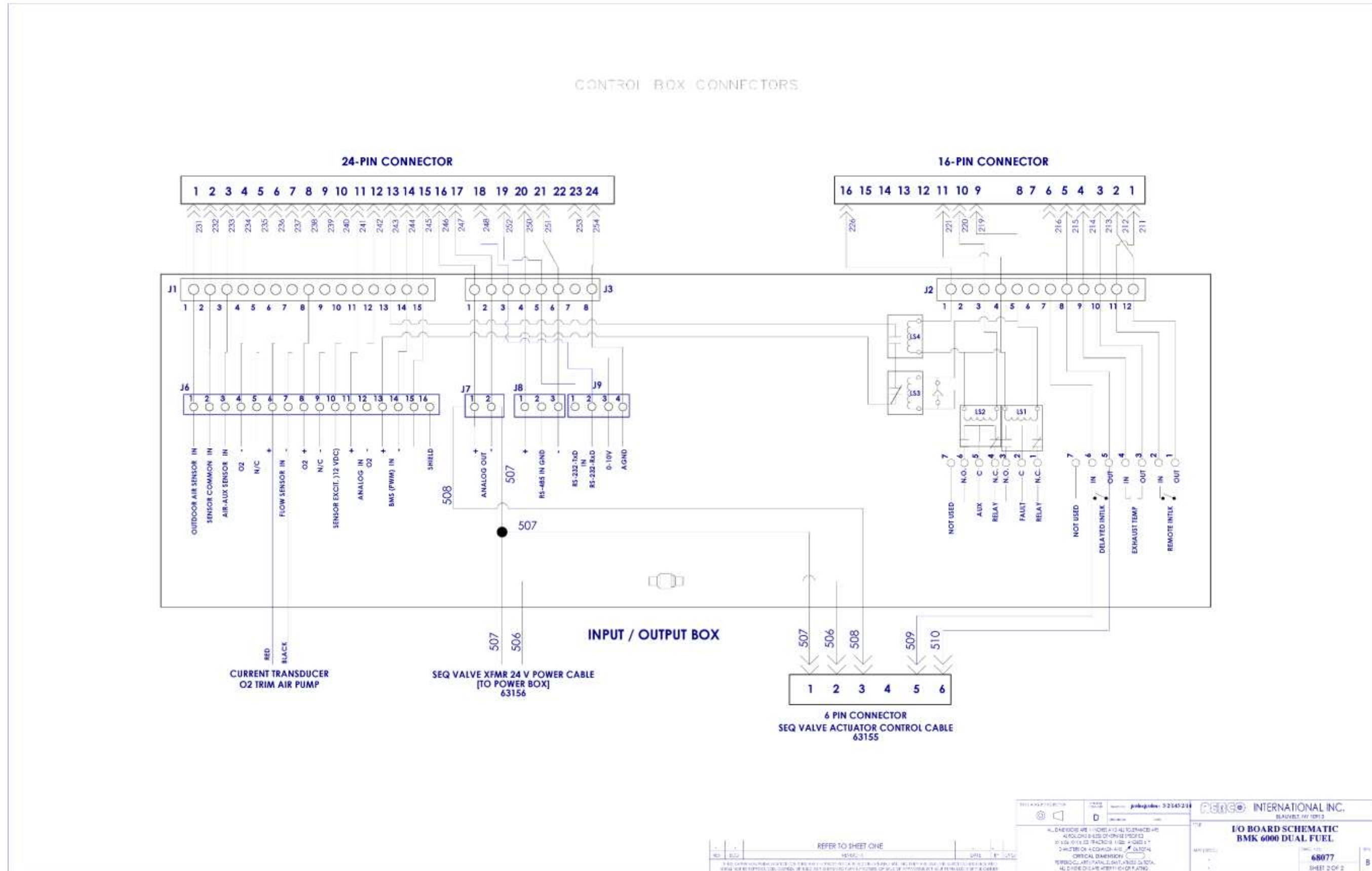
Wiring Diagram 68076 rev C Sheet 1 of 2



Wiring Diagram 68076 rev C Sheet 2 of 2

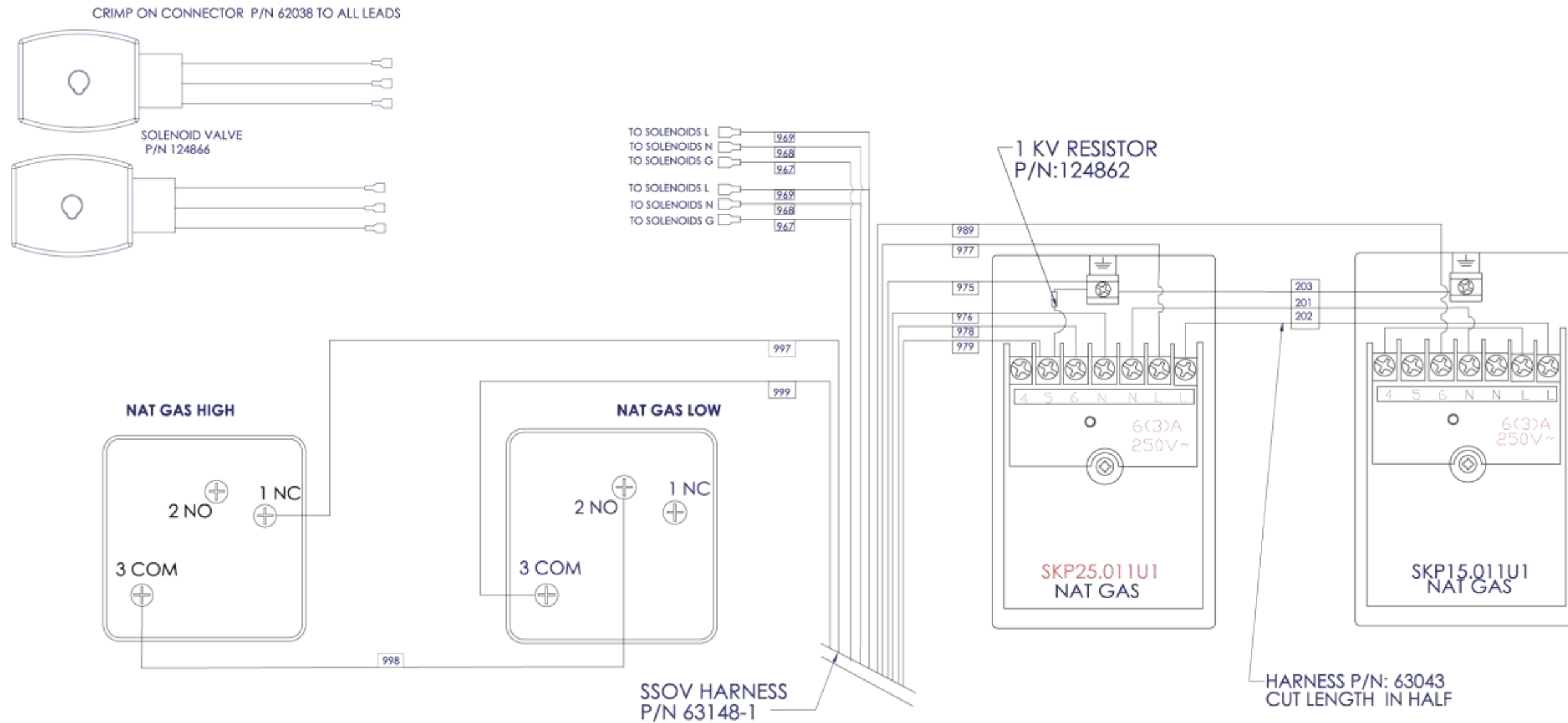


Wiring Diagram 68077 rev B Sheet 1 of 2

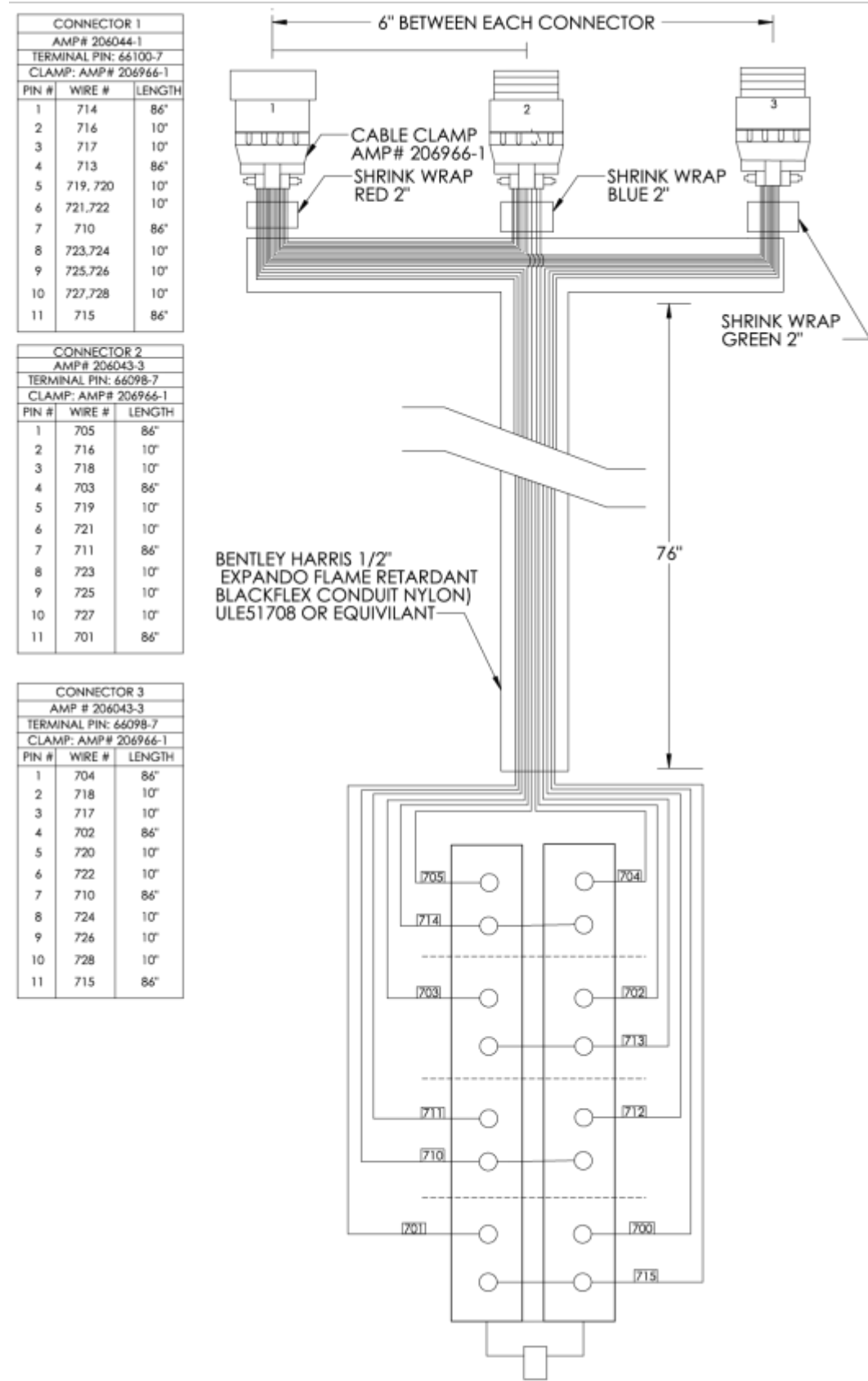


Wiring Diagram 68077 rev B Sheet 2 of 2

BMK 5000/6000 STANDARD FUEL MODEL WIRING DIAGRAMS



Standard BMK 5000/6000 Drawing Number: 22222 rev B Gas Train Wiring Diagram Sheet 1 of 1



Drawing Number: 63035-2 rev B, Duel Fuel Selector Switch

Appendix H: C-MORE CONTROLLER VIEWS

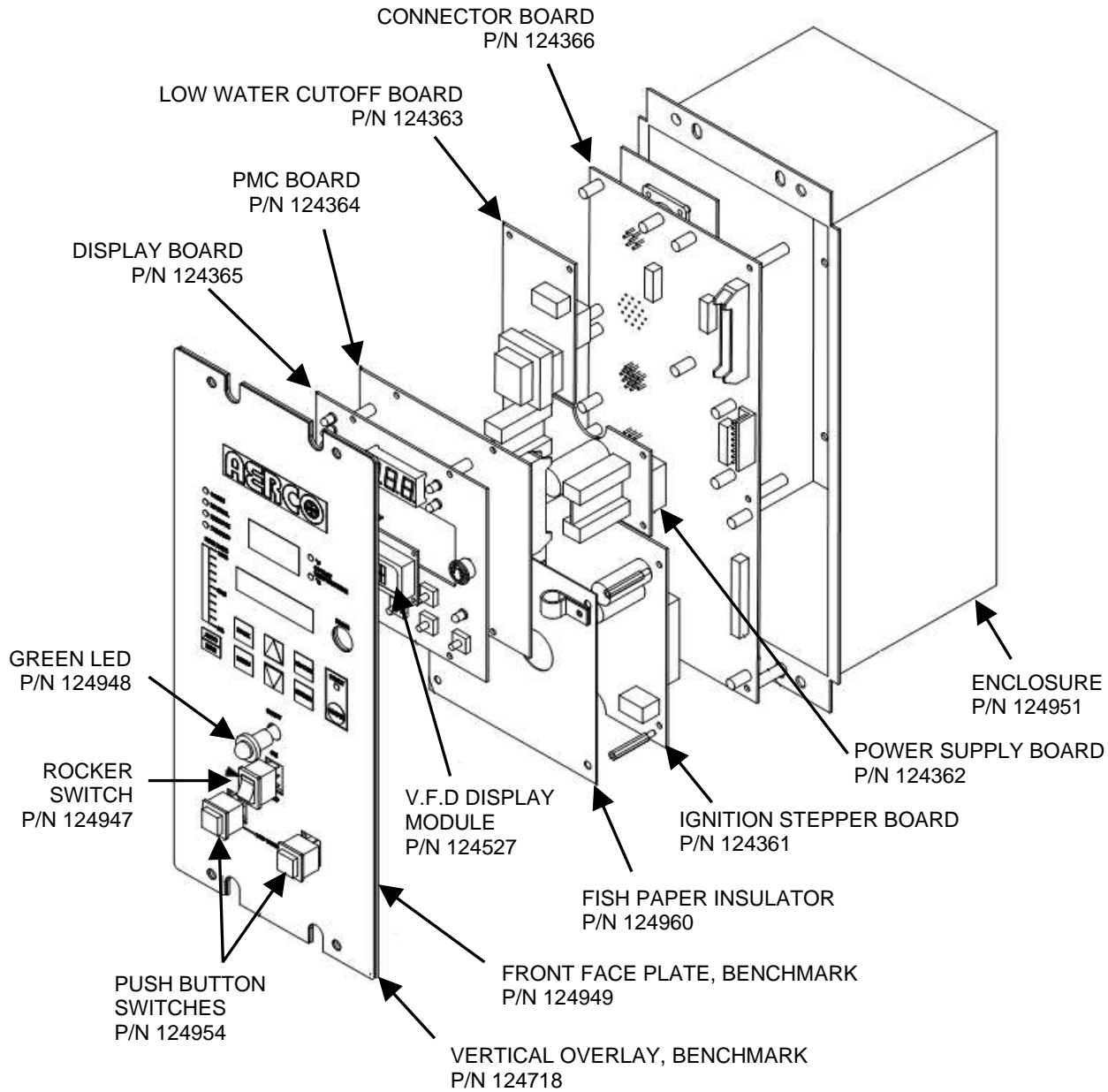


Figure H-1 – Benchmark Series C-More Controller - Exploded View

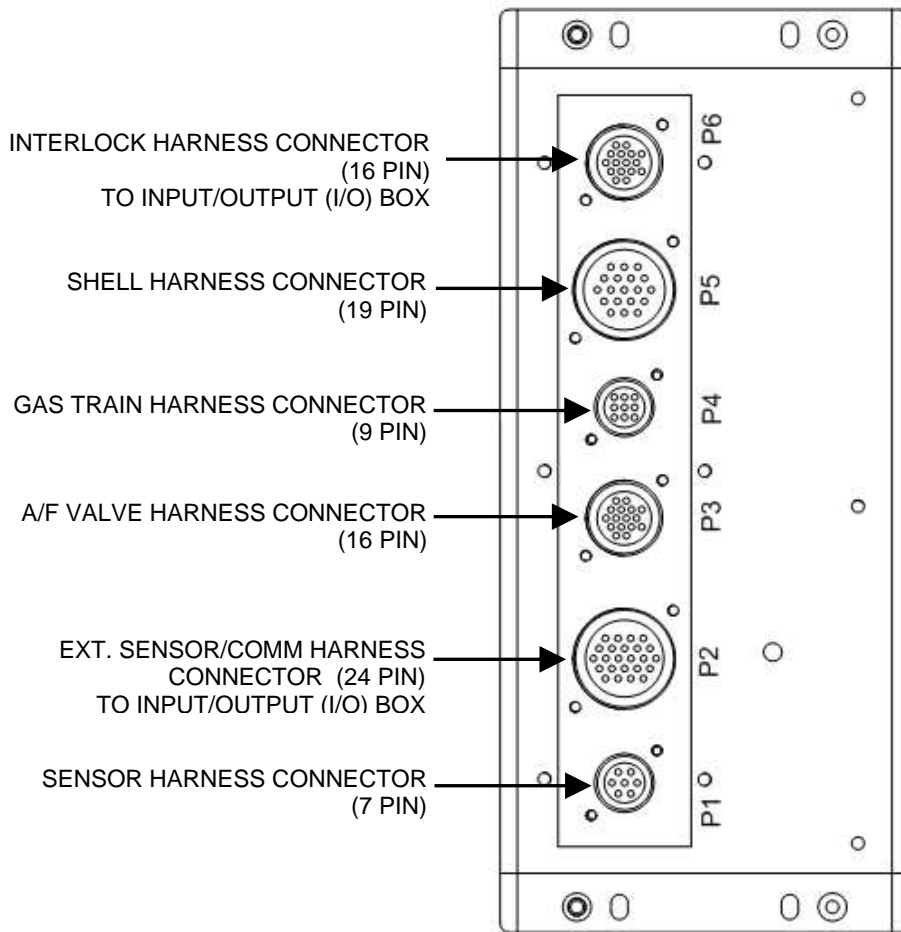


Figure H-2: Benchmark C-More Controller Rear View

Appendix I: RECOMMENDED SPARES

NOTE: Refer to the Parts List Illustrations in Appendix F for the locations of the recommended and optional spare parts listed below.

TABLE I-1: Recommended Emergency Spare Parts	
DESCRIPTION	PART NUMBER
Actuator Replacement Kit: SSOV with P.O.C. Switch Kit	27086-2
Actuator Replacement Kit: SSOV w/ Regulator, POC Switch & Damping Orifice	64106
Pilot Regulator w/ 2-6" Spring	24384
Pilot Solenoid Valve, 1/4" NPT Replacement Kit	58089
Temperature Switch - Manual Reset	123552

TABLE I-2: Recommended Spare Parts For Maintenance	
DESCRIPTION	PART NUMBER
Annual Maintenance Kit	58025-11
24-month Waterside/Fireside Inspection Kits (See Section 4.1 for kit descriptions)	58025-12
	58025-14
	58025-15
	58025-16

TABLE I-3: Optional Spare Parts	
DESCRIPTION	PART NUMBER
C-More Controller	69186-4
Temperature Sensor, 1-1/2"	123449
Lean Oxygen Sensor	61026
Over Temp-Auto Reset Switch	123966

(This page intentionally blank)

Appendix J: LONG TERM STORAGE

CAUTION!

Failure to adhere to the instructions below voids all warranties in their entirety.

Appendix J-1: Long Term Boiler Storage

If the temperature in the storage location will ever get below freezing, **for even a short time**, you must drain all water from the unit **before** the temperature falls below freezing. This includes using a suction pump inserted through the inspection ports to remove all water from the bottoms of both heat exchanges, and fully draining all water from the base assembly.

Appendix J-2: Long Term Blower Storage

Damage can result if the Blower is left in long term storage (exceeding 30 days after receipt of equipment). If the Blower is kept in storage for more than 30 days, you must you must complete the instructions below.

Long Term Blower Storage Instructions

1. Select a suitable storage site:
 - Level, well-drained, firm surface, in clean, dry and warm location. Minimum temperature of 50°F (10°C).
 - Isolated from possibility of physical damage from construction vehicles, erection equipment, etc.
 - Accessible for periodical inspection and maintenance.
2. The blower should be supported under each corner of its base to allow it to “breathe”. Supports (2 x 4’s, timbers, or railroad ties) should be placed diagonally under each corner.
3. If the equipment is to be stored for more than three (3) months, the entire blower assembly must be loosely covered with plastic, but not tightly wrapped.
4. Storage Maintenance:

NOTE:
A periodic inspection and maintenance log, by date and action taken, must be developed and maintained for each blower. See example below. Each item must be checked monthly.

Example Storage / Maintenance Schedule Log		
Item	Action	Dates Checked
1	Re-inspect units to insure any protective devices used are functioning properly. Check for scratches in the finish which will allow corrosion or rust to form	
2	Rotate wheel a minimum of 10 full revolutions to keep the motor bearing grease from separating and drying out.	
	(THIS STEP IS CRITICAL!)	

(Continued)

Long Term Blower Storage Instructions

5. General Motor Procedure:

If the motor is not put into service immediately, the motor must be stored in a clean, dry, warm location. Minimum temperature of 50°F. (10°C,). Several precautionary steps must be performed to avoid motor damage during storage.

- a) Use a “Megger” each month to ensure that integrity of the winding insulation has been maintained. Record the Megger readings. Immediately investigate any significant drop in insulation resistance.
- b) DO NOT lubricate the motor bearings during storage. Motor bearings are packed with grease at the factory.
- c) If the storage location is damp or humid, the motor windings must be protected from moisture. This can be done by applying power to the motor’s space heaters, (IF AVAILABLE) while the motor is in storage. If the motor does not have space heaters, storing it in a damp or humid location will, very quickly, cause internal corrosion and motor failure which is not warranted.

NOTE: For specific storage instructions, for the actual motor and any accessory parts that were supplied, refer to the manufacturer’s instructions.

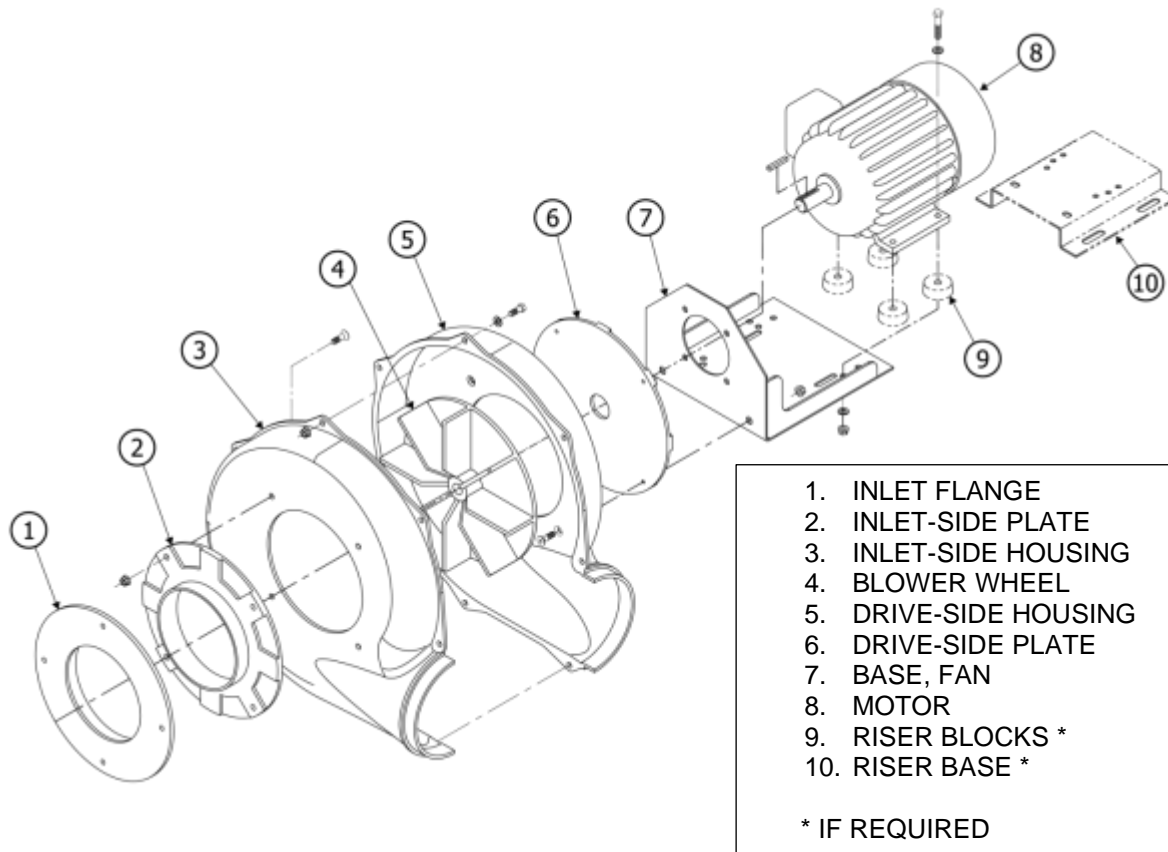


Figure J-1: Benchmark 6000 Blower Exploded View

NOTES:

Change Log:

Date	Description	Changed by
5/9/2019	<p>Rev D:</p> <p>DIR 18-45: Changed part number of Gas Pressure Switch 60032 to 60032-1.</p> <p>DIR 18-55: Changed Air Inlet Temp Sensor part number from 61024 to 123449 in Appendix F. (Reference PIR 1542)</p> <p>DIR-19-04: Added additional requirements to Section 1.2: Emergency Shutdown.</p>	Chris Blair
5/3/2022	<p>Rev E:</p> <p>DIR 20-04: Replace A/F Valve part number 24352 with A/F Replacement Kit part number 58066 in Appendix I.</p> <p>Added gas trains 22330-1, 22330-2, and 22328 and multiple A/F Valve Replacement Kits to Appendix F: Part Lists</p>	Chris Blair