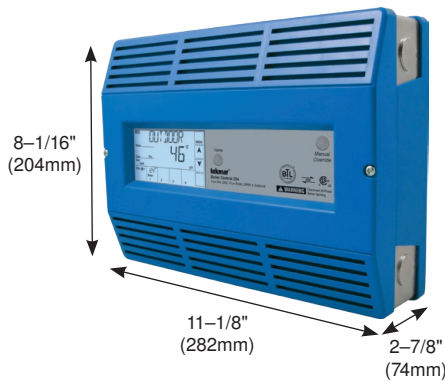




Boiler Control 284

Four tN4, BAS, Four Boiler, DHW & Setpoint



A Flexible Solution for Light Commercial & Multi-Residential Heating Plants

The Boiler Control 284 is designed to operate up to four boilers to accurately maintain a target water temperature. The 284 operates both condensing & non-condensing boilers that are either modulating, single stage or two stage to provide a flexible, cost effective mixed boiler plant solution with better system performance.

The target water temperature is based on outdoor temperature reset or a fixed setpoint for space or process heating applications. Additional loads supplied by the 284 include domestic hot water & setpoint heating. Boiler equal run-time rotation, stand-by primary pump operation & pump exercising all increase boiler plant reliability.

The 284 communicates with a Building Automation System (BAS) using BACnet® or Modbus® for remote monitoring & adjustment capability.

tekmarNet® Thermostats and a tekmarNet® Gateway 485 can be added to optimize system performance & provide remote monitoring capability.

Featuring the Best in Boiler Plant Control

- Control up to four boilers
- Condensing & non-condensing
- Modulating, single stage or two stage
- BACnet® or Modbus® communication
- tekmarNet® communication
- Outdoor temperature reset
- Boiler isolation valves
- Primary pump sequencing
- Domestic hot water priority
- Setpoint operation
- Energy, flow & pressure monitoring
- Combustion air damper control
- Programmable schedules

Get the most out of any boiler type & save energy with boiler sequencing



HVAC Systems



Multi-Staging



Alternative Energy



Zoning



Snow Melting



Setpoint

tekmar®

Better Control. Better Systems.

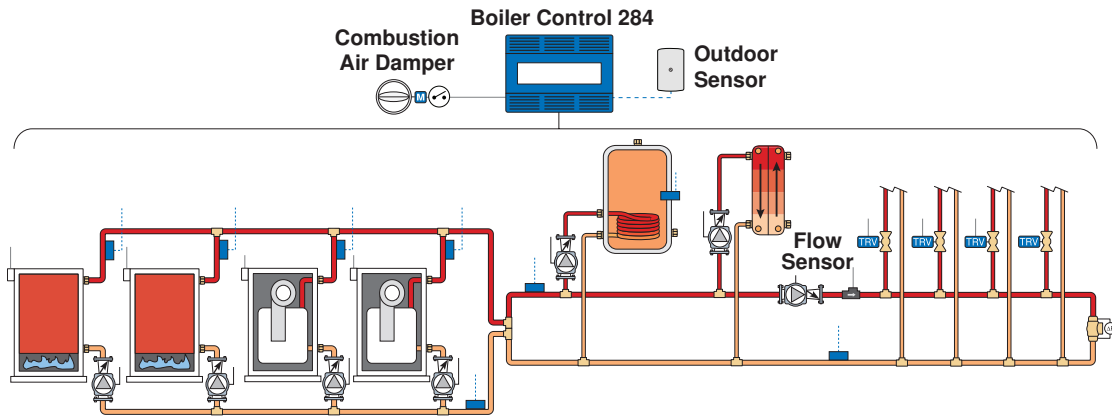
A Watts Water Technologies Company



Sample Application Drawings

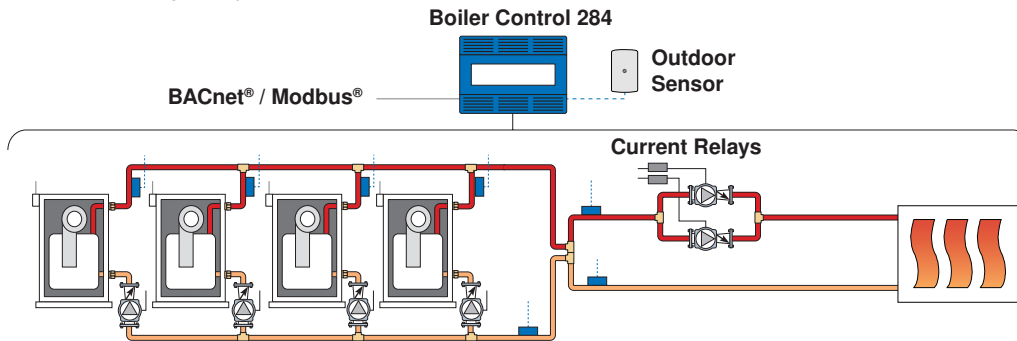
Outdoor Temperature Reset, DHW & Setpoint Heating

Two single stage non-condensing boilers & two modulating condensing boilers are operated to provide heat for indirect DHW, setpoint & space heating loads. Boiler plant sequencing is adjusted based on the target temperatures to obtain maximum efficiency.



Setpoint & DHW Heating with Stand-by Primary Pump & BAS Communication

Four modulating boilers are operated to provide space heating. The control communicates with a building automation system using BACnet[®] or Modbus[®] for remote monitoring & adjustment.



Volume Domestic Hot Water Tank Heating

Four two-stage boilers are operated to provide volume domestic hot water tank heating. The control operates the domestic hot water recirculation pump on a programmable schedule to save energy.

