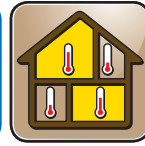


**tekmar**<sup>®</sup>

tekmarNet<sup>®</sup> Thermostat 554



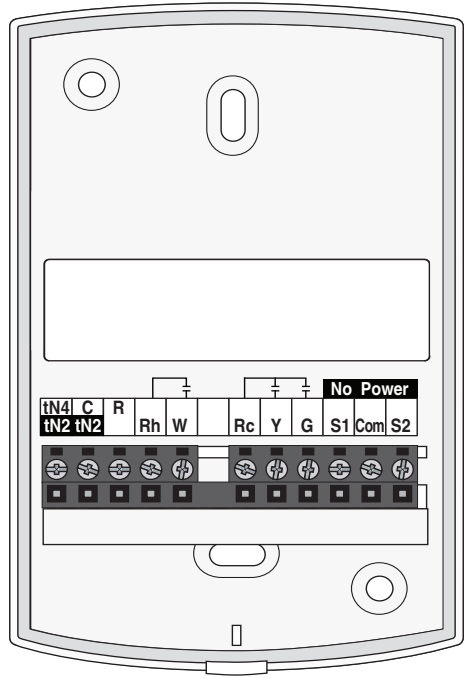
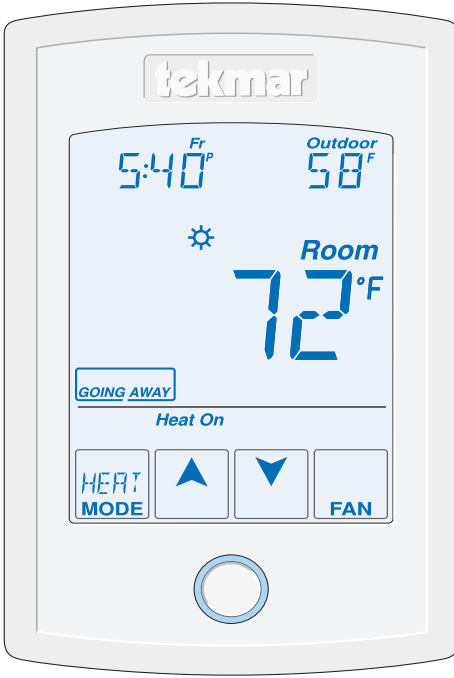
Zoning

**554\_A**

02/15

Replaces: New

## Application Brochure



### Equipment Compatibility

Page

Furnace Heating / AC Cooling / Fan

2

Radiant Floor Heating / AC Cooling / Fan

4

Hydronic Baseboard Heating / AC Cooling / Fan

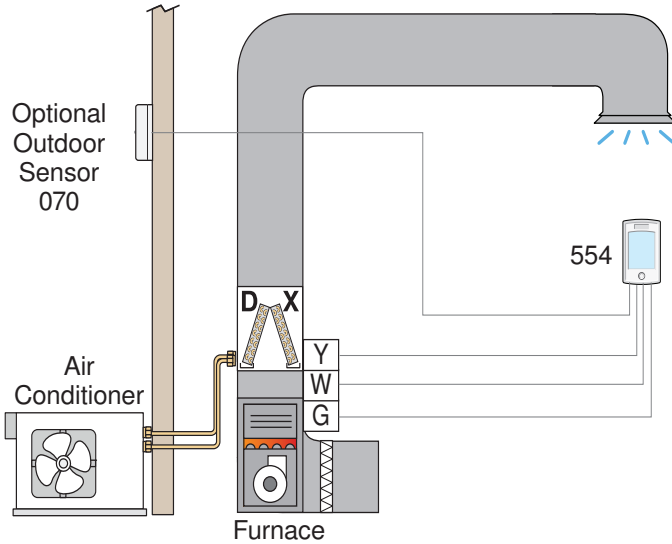
6

Hydronic Fan Coil Heating / AC Cooling / Fan

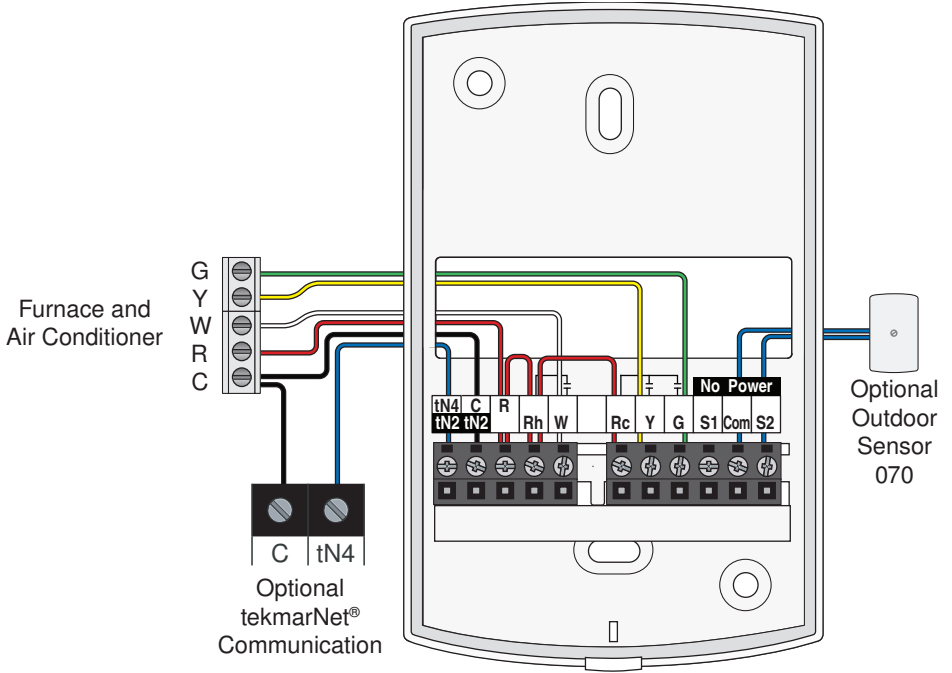
8

**Description**

The Thermostat 554 operates a furnace for space heating and an air conditioner for space cooling. The fan turns on with the furnace and the air conditioner. The fan can be operated independently of heating and cooling to provide ventilation. The optional outdoor sensor interlocks heating during warm weather and interlocks cooling during cold weather.

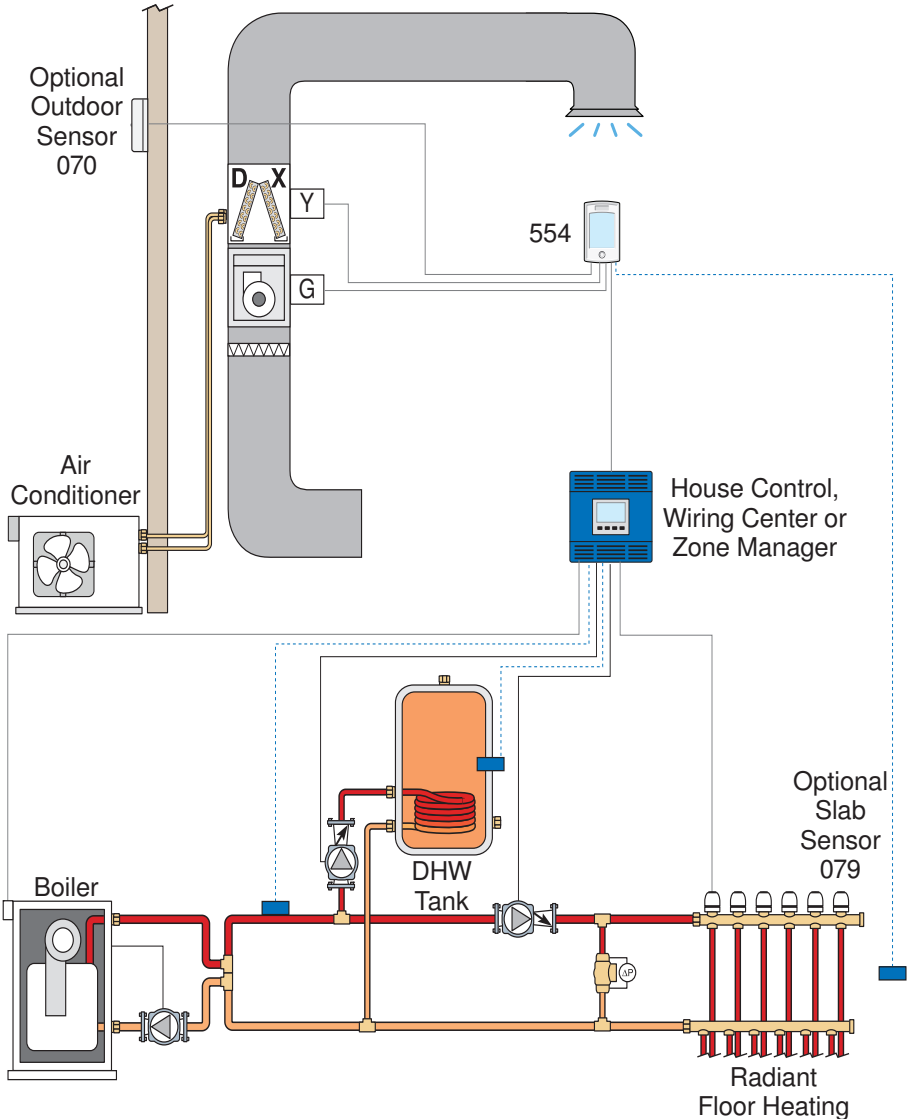


# tekmarNet® 4 Wiring

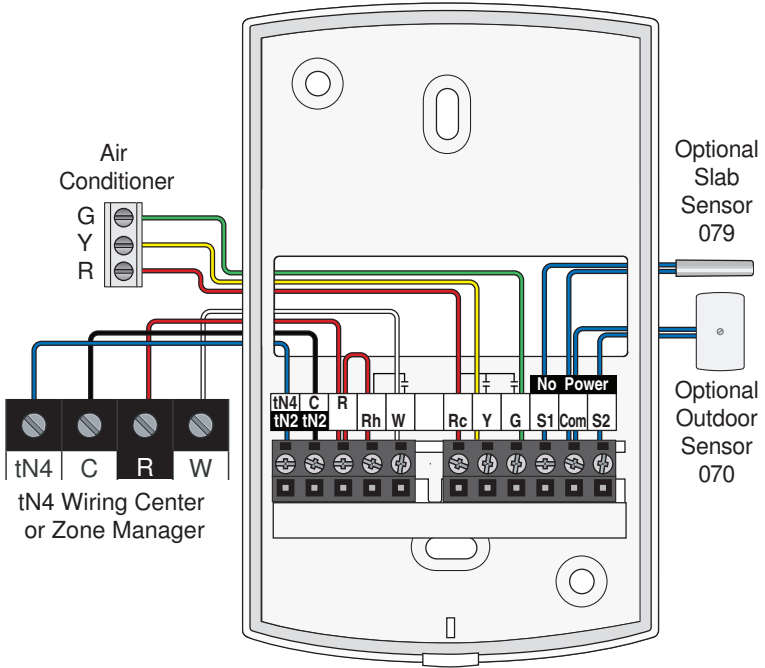


**Description**

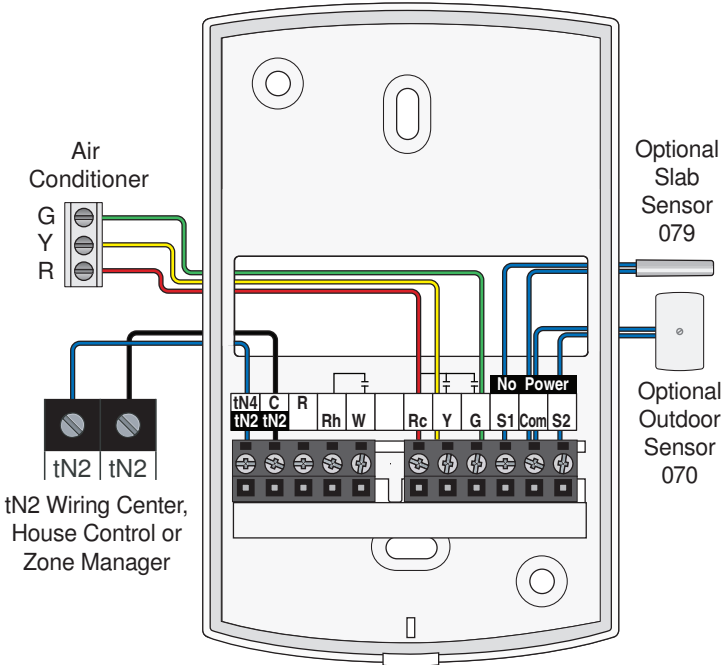
The Thermostat 554 operates a radiant floor heating zone by providing a signal to a House Control, Wiring Center or Zone Manager. The House Control, Wiring Center or Zone Manager in turn operates a zone valve, pump and boiler to provide heating. The optional slab sensor limits the floor temperature to protect the floor covering. An air conditioner is operated to provide cooling. The fan turns on with the air conditioner. The fan can be operated independently of heating and cooling to provide ventilation. The optional outdoor sensor interlocks heating during warm weather and interlocks cooling during cold weather.



## tekmarNet®4 Wiring

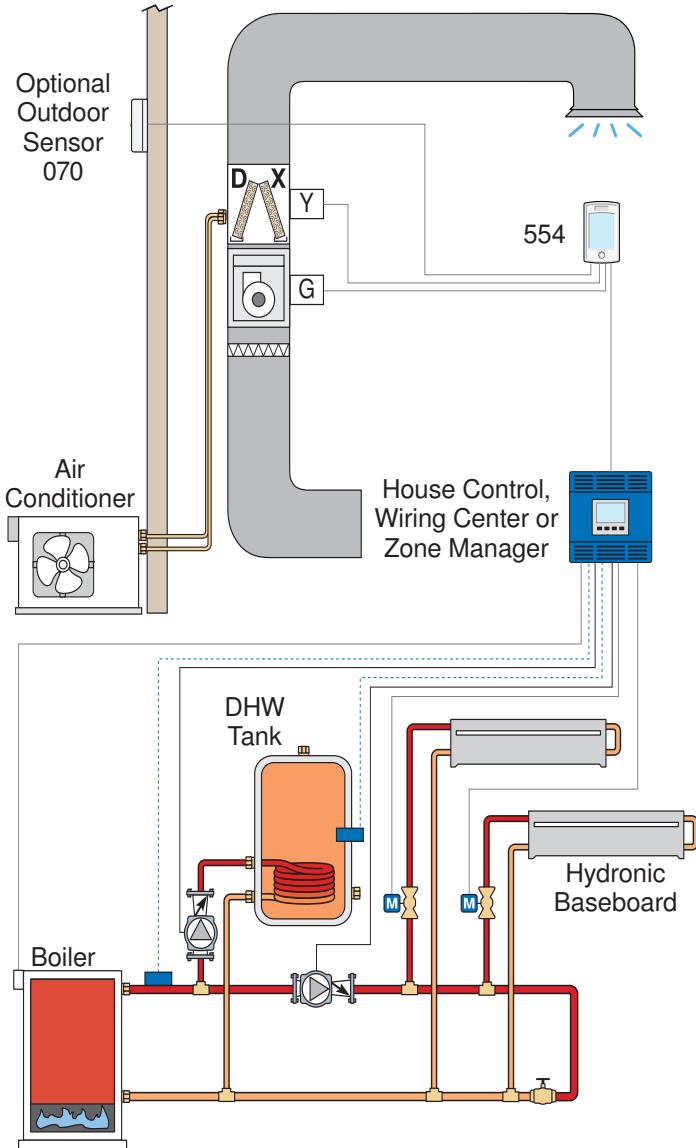


## tekmarNet®2 Wiring

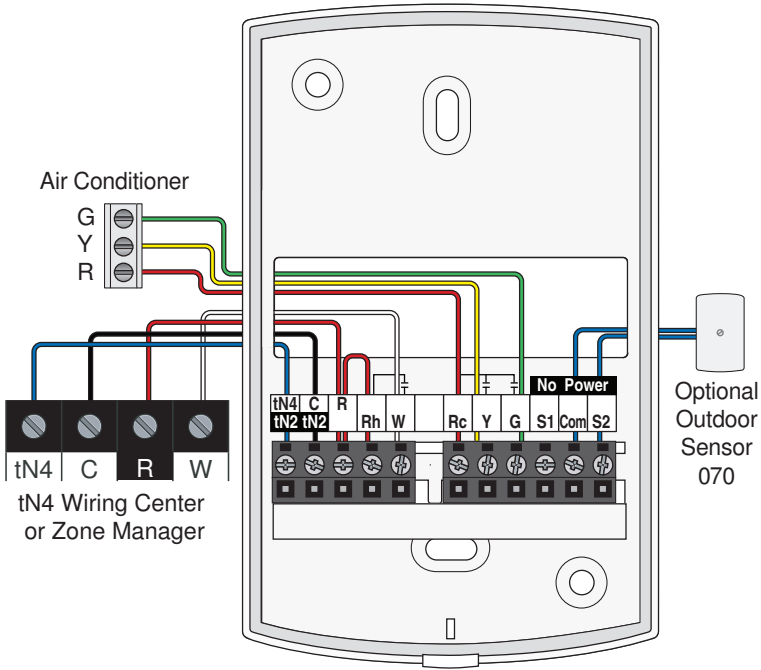


**Description**

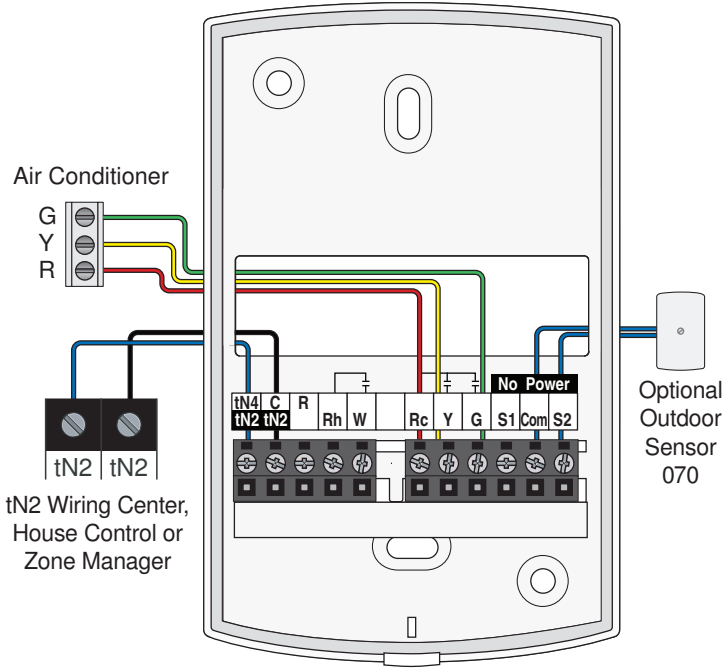
The Thermostat 554 operates a hydronic baseboard heating zone by providing a signal to a House Control, Wiring Center or Zone Manager. The House Control, Wiring Center or Zone Manager in turn operates a zone valve, pump and boiler to provide heating. An air conditioner is operated to provide cooling. The fan turns on with the air conditioner. The fan can be operated independently of heating and cooling to provide ventilation. The optional outdoor sensor interlocks heating during warm weather and interlocks cooling during cold weather.



## tekmarNet®4 Wiring

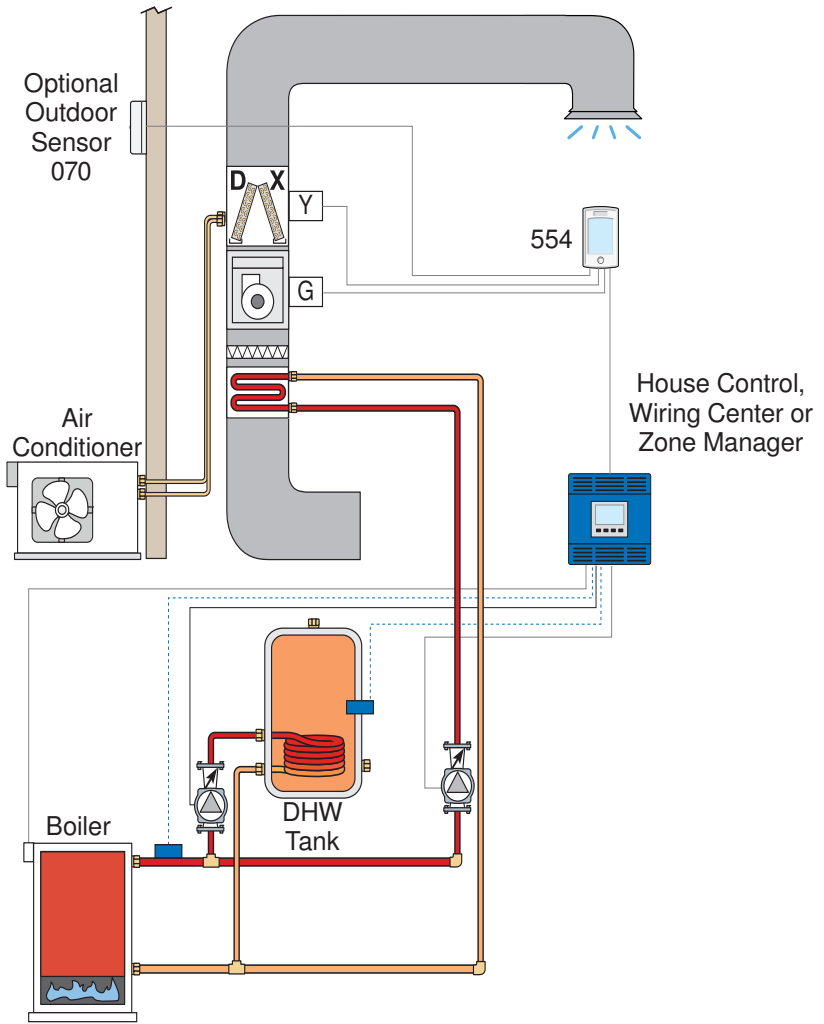


## tekmarNet®2 Wiring



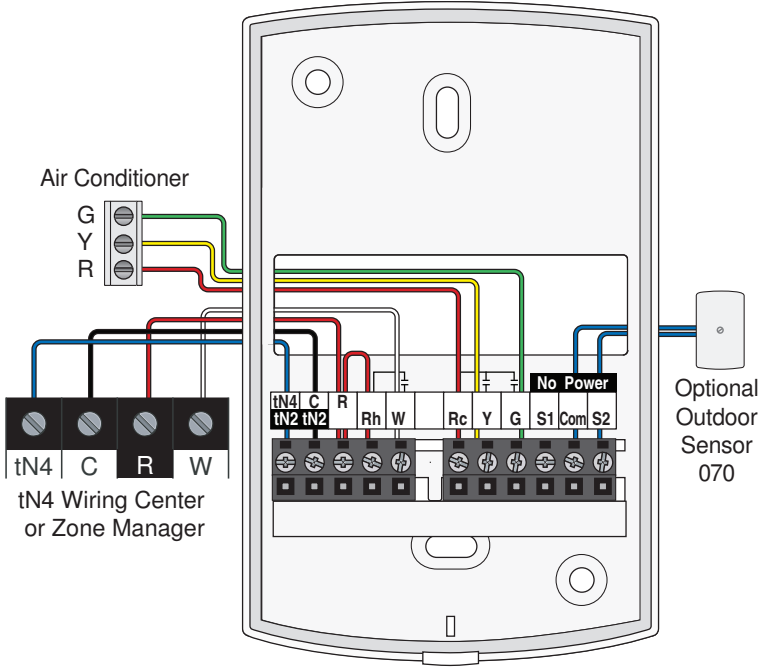
**Description**

The Thermostat 554 operates a fan coil heating zone by providing a signal to a House Control, Wiring Center or Zone Manager. The House Control, Wiring Center or Zone Manager in turn operates a zone pump and boiler to provide heating. An air conditioner is operated to provide cooling. The fan turns on with the fan coil and the air conditioner. The fan can be operated independently of heating and cooling to provide ventilation. The optional outdoor sensor interlocks heating during warm weather and interlocks cooling during cold weather.

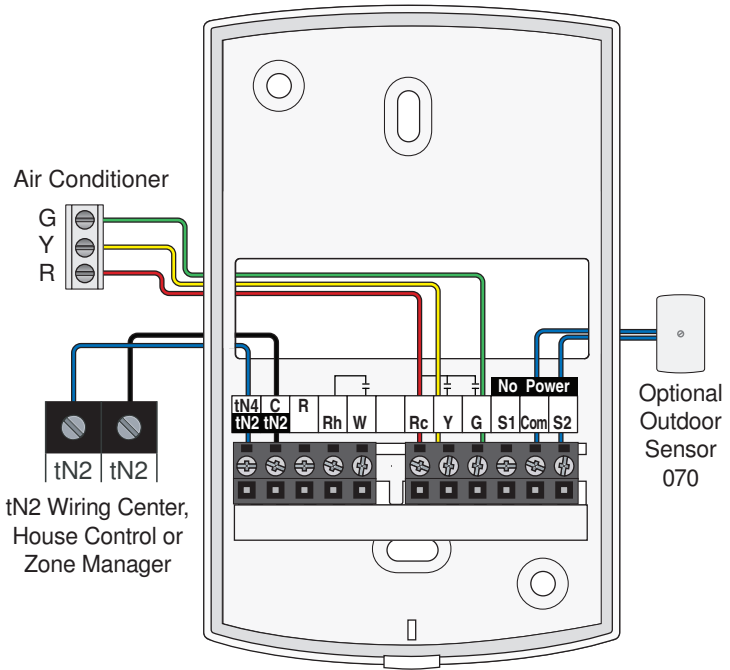




## tekmarNet®4 Wiring



## tekmarNet®2 Wiring



This page left intentionally blank.

This page left intentionally blank.



Product design, software and literature are Copyright ©2015 by tekmar Control Systems Ltd., A Watts Water Technologies Company. Head Office: 5100 Silver Star Road, Vernon, B.C. Canada V1B 3K4, 250-545-7749, Fax. 250-545-0650 Web Site: [tekmarControls.com](http://tekmarControls.com)