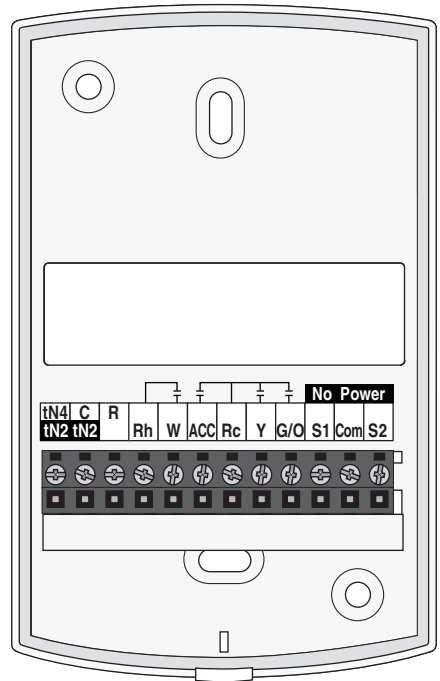
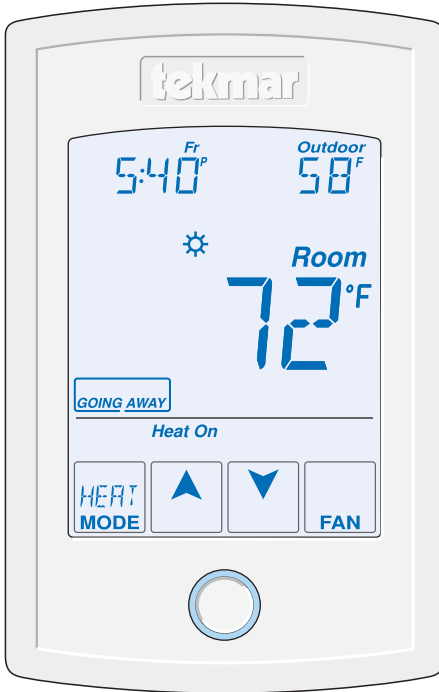


## Application Brochure



### Equipment Compatibility

### Page

1 Heat / 1 Cool / 1 Fan / Relative Humidity

2

2 Heat / 1 Fan / Humidification

4

2 Heat / 1 Cool / 1 Fan (Furnace)

6

2 Heat / 1 Cool / 1 Fan (Fan Coil)

8

1 Radiant Floor Heat / 1 Heat Pump / Relative Humidity

10

1 Radiant Floor Heat / 1 Heat Pump / 1 Backup Heat

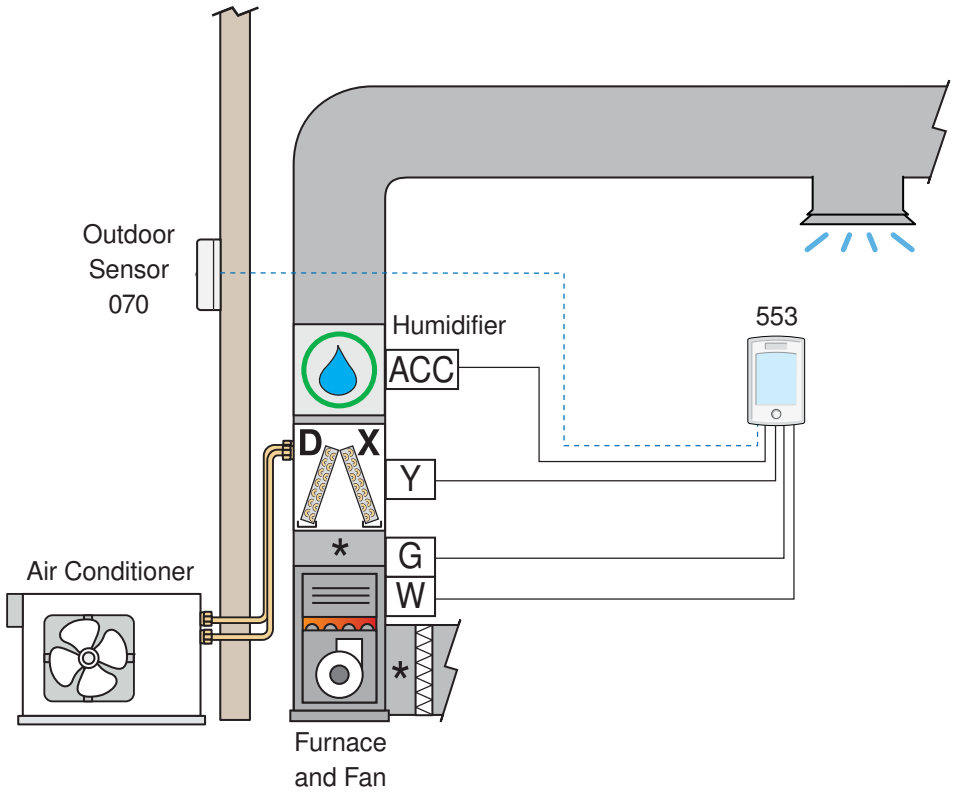
12

1 Radiant Floor Heat / 1 Heat Pump / 1 Fan

14

**Description**

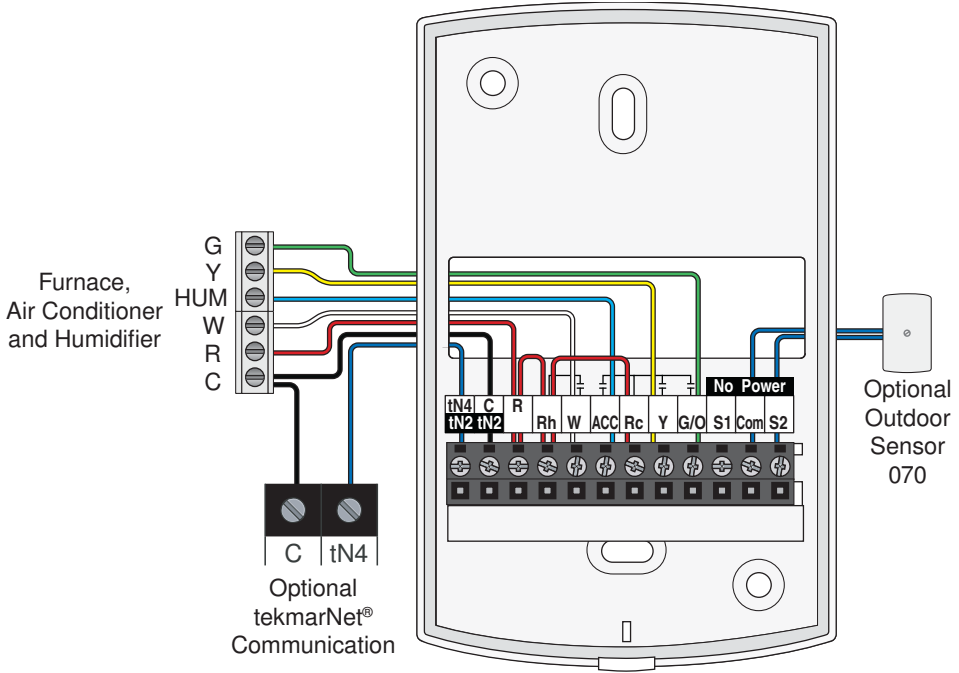
The 553 operates a one-stage furnace for heating and operates a one-stage air conditioner for cooling. The fan operates with the heating and cooling or independently for ventilation. The thermostat can operate an optional humidifier or dehumidifier to maintain desired relative humidity settings.



Setup Menu	Essential Setting
Y Relay	AC
W Term	FURN
ACC Relay	HUM
G / O Relay	FAN

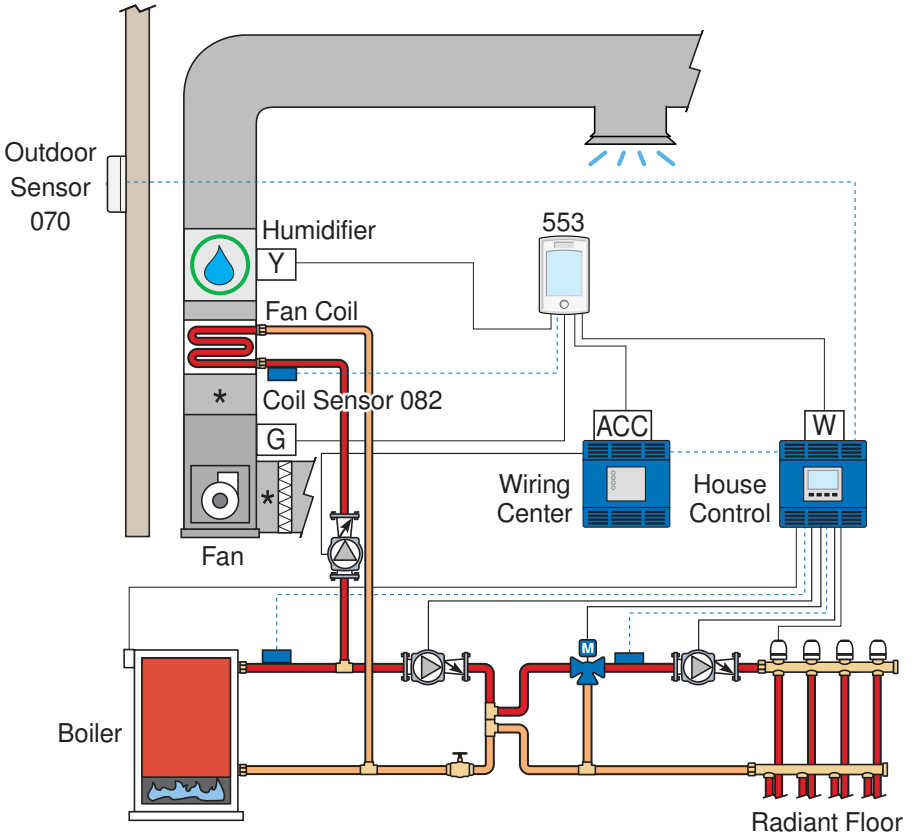
\* Alternate humidifier locations

# tekmarNet® 4 Wiring



**Description**

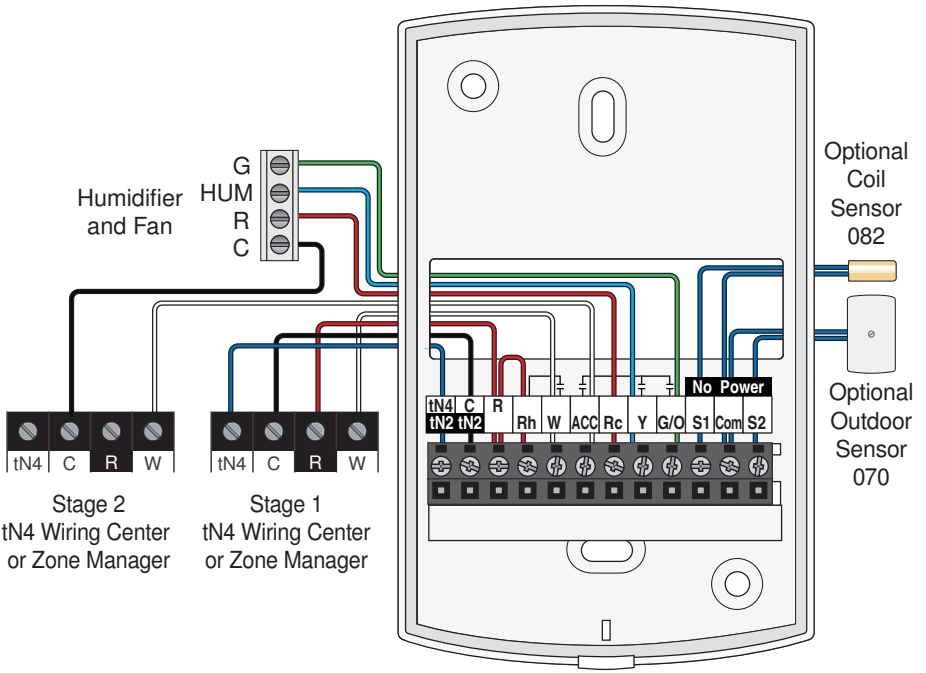
The 553 operates a radiant floor as the first stage of heat and a hydronic fan coil as the second stage of heat. The fan operates with the heating system or independently for ventilation. The thermostat can operate an optional humidifier to maintain a minimum relative humidity setting. An optional coil sensor allows the fan coil to warm up to a minimum temperature prior to turning on the fan.



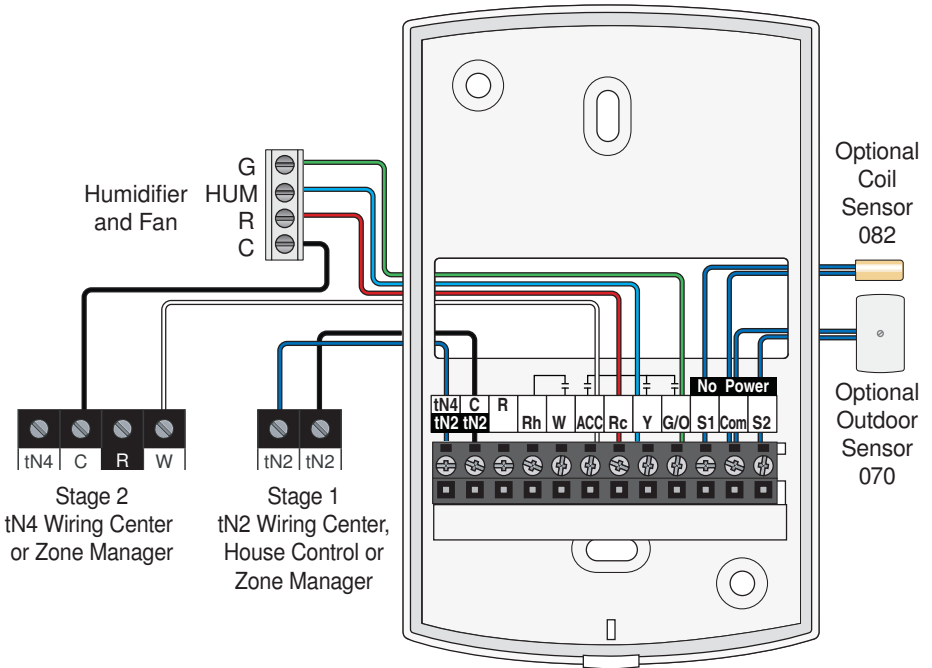
Setup Menu	Essential Setting
Sensor 1	COIL
Y Relay	HUM
W Term	HRF
ACC Relay	W2
W2 Term	COIL
G / O Relay	FAN

\* Alternate humidifier locations

## tekmarNet®4 Wiring

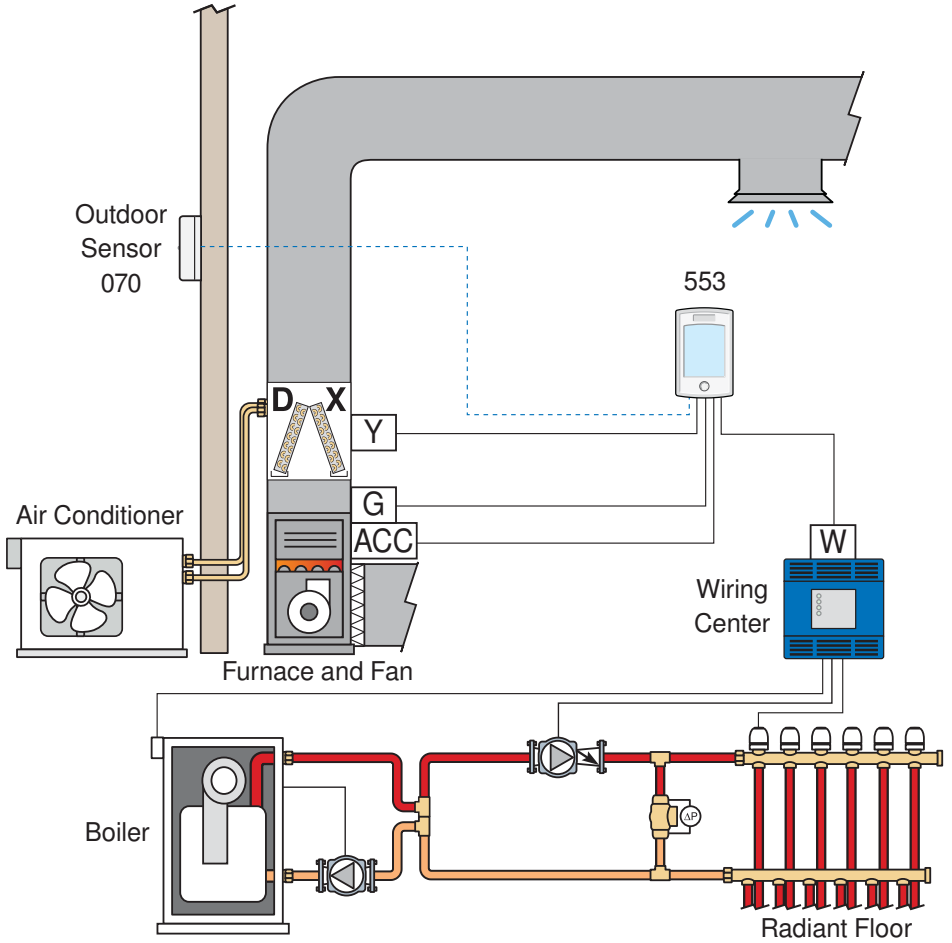


## tekmarNet®2 Wiring



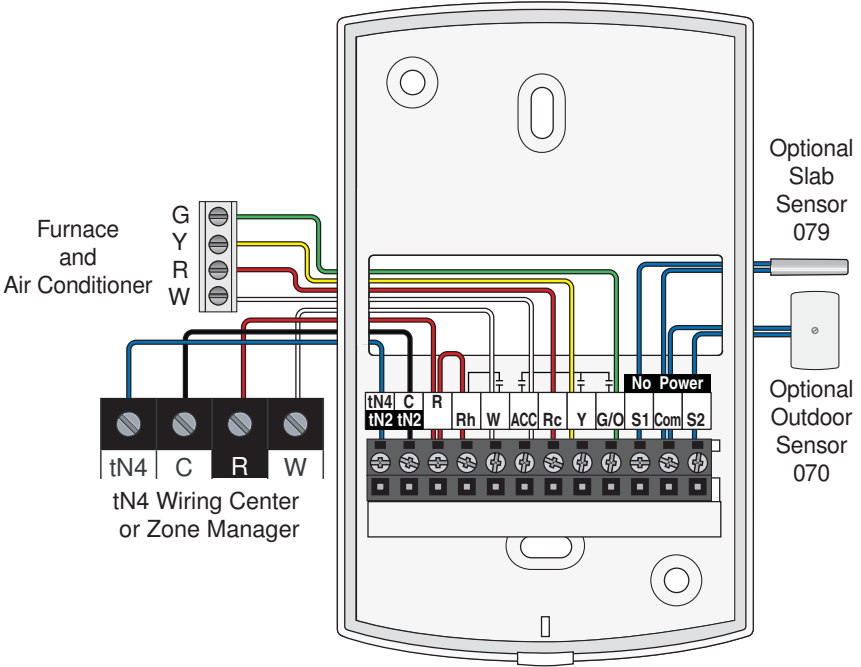
**Description**

The 553 operates a radiant floor as the first stage of heat and a furnace as the second stage of heat. An air conditioner provides cooling. The fan operates with the heating and cooling or independently for ventilation.

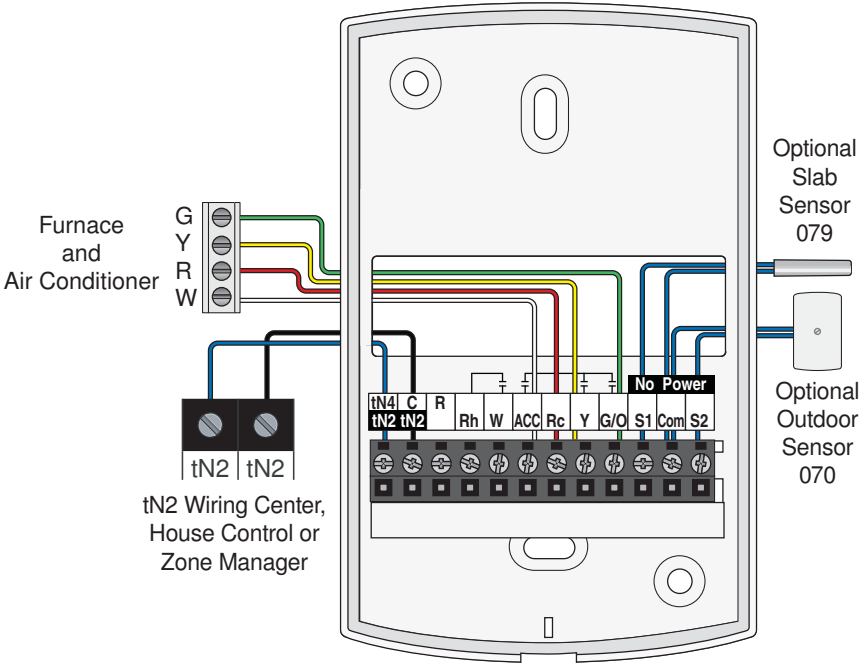


Setup Menu	Essential Setting
Y Relay	AC
W Term	OTHR
ACC Relay	W2
W2 Term	FURN
G / O Relay	FAN

## tekmarNet®4 Wiring

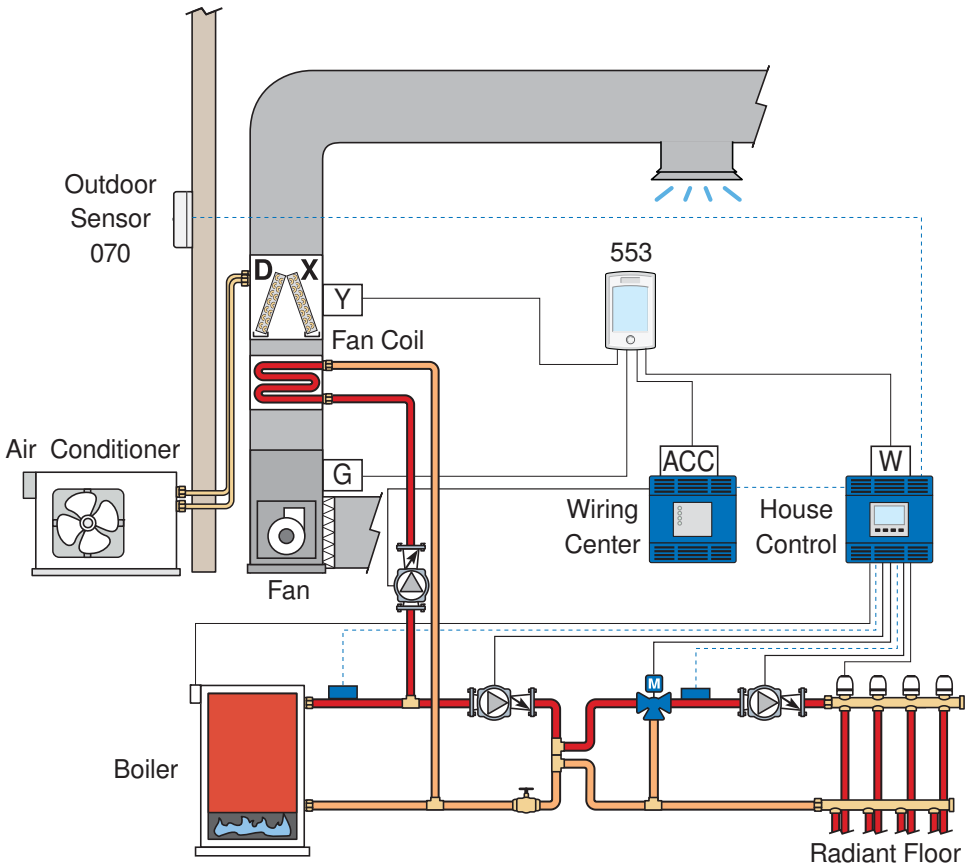


## tekmarNet®2 Wiring



**Description**

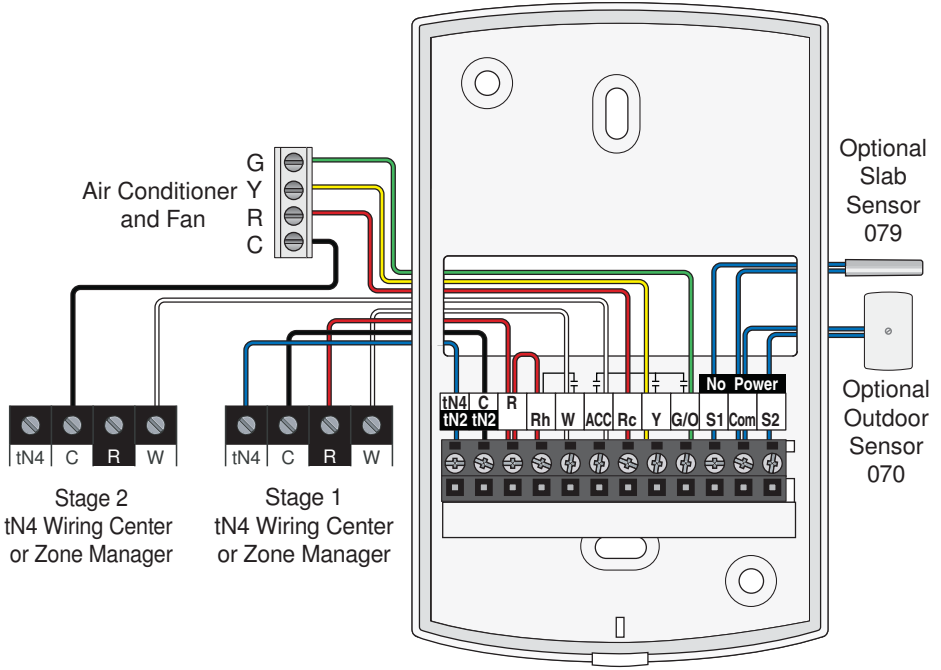
The 553 operates a radiant floor as the first stage of heat and a hydronic fan coil as the second stage of heat. An air conditioner provides cooling. The fan operates with the heating and cooling or independently for ventilation.



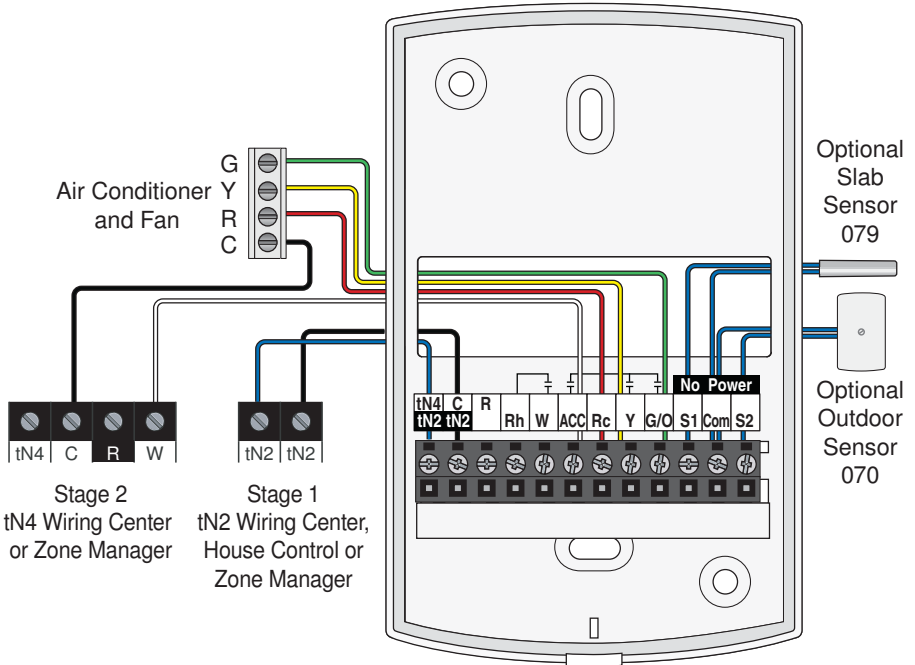
Setup Menu	Essential Setting
Y Relay	AC
W Term	HRF
ACC Relay	W2
W2 Term	COIL
G / O Relay	FAN



## tekmarNet®4 Wiring

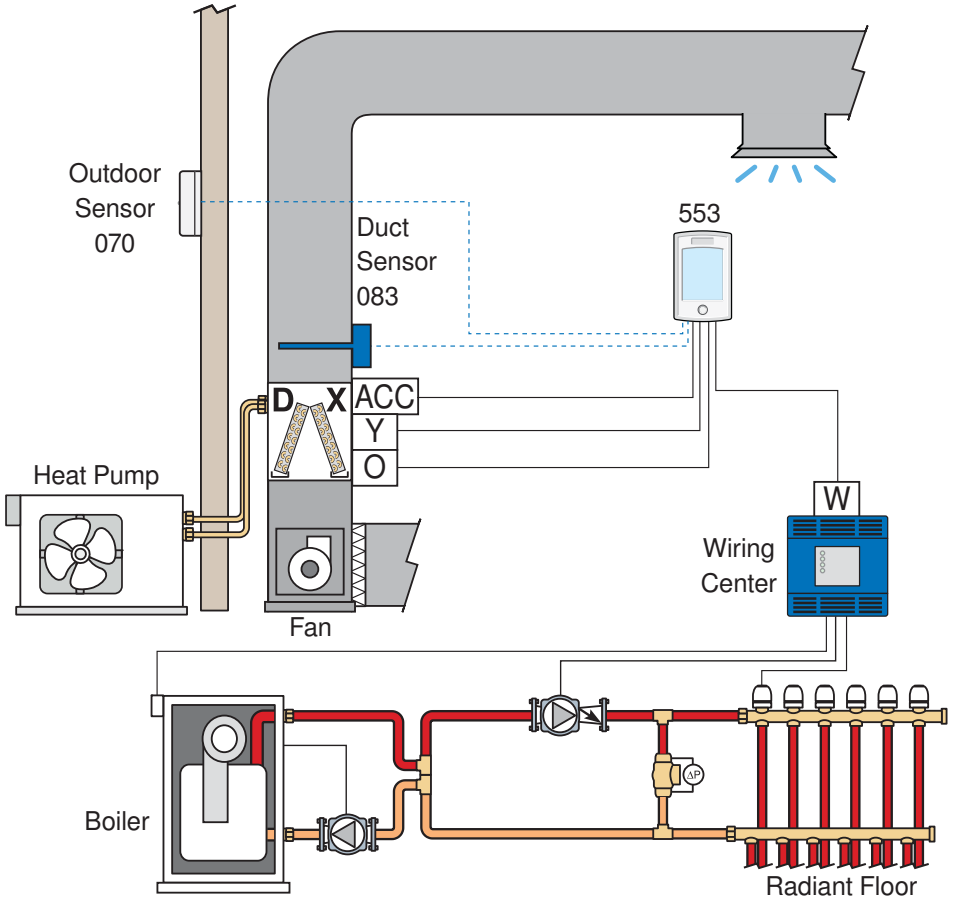


## tekmarNet®2 Wiring



**Description**

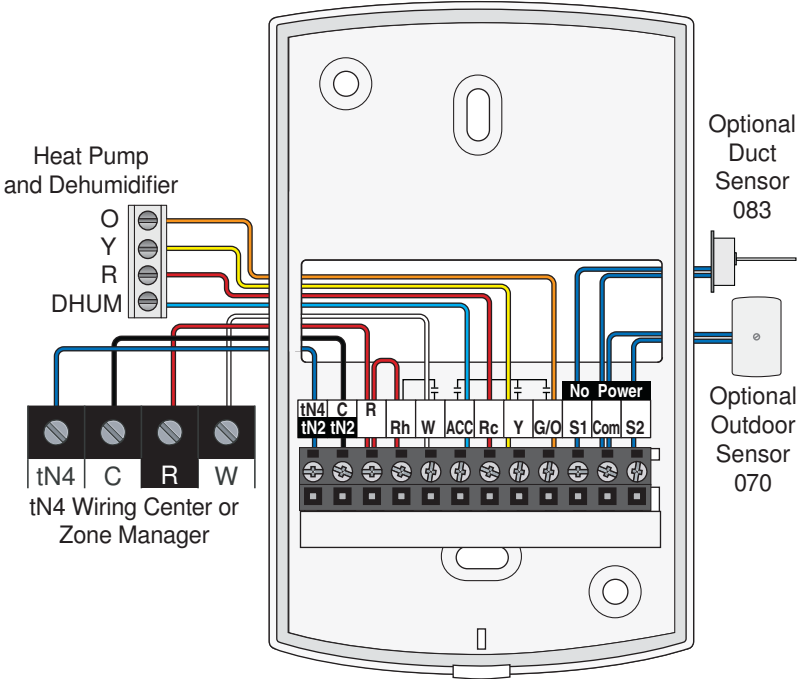
The 553 operates a radiant floor as the first stage of heat and heat pump for second stage heat and first stage cooling. The radiant floor can shut off during moderate outdoor weather to allow only the heat pump to provide heating. The thermostat can operate an optional humidifier or dehumidifier to maintain desired relative humidity settings. An optional duct sensor provides freeze protection to the DX coil.



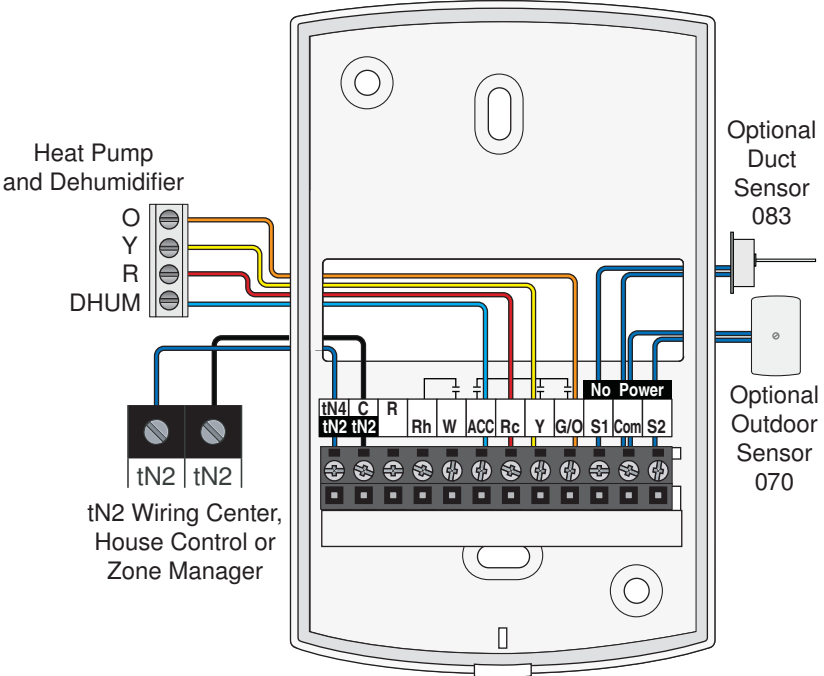
Setup Menu	Essential Setting
Sensor 1	DUCT
Y Relay	HP
W Term	OTHR
ACC Relay	DHUM
G / O Relay	O or B

Note: Assumes air handling unit operates fan when Y or ACC are on.

## tekmarNet®4 Wiring

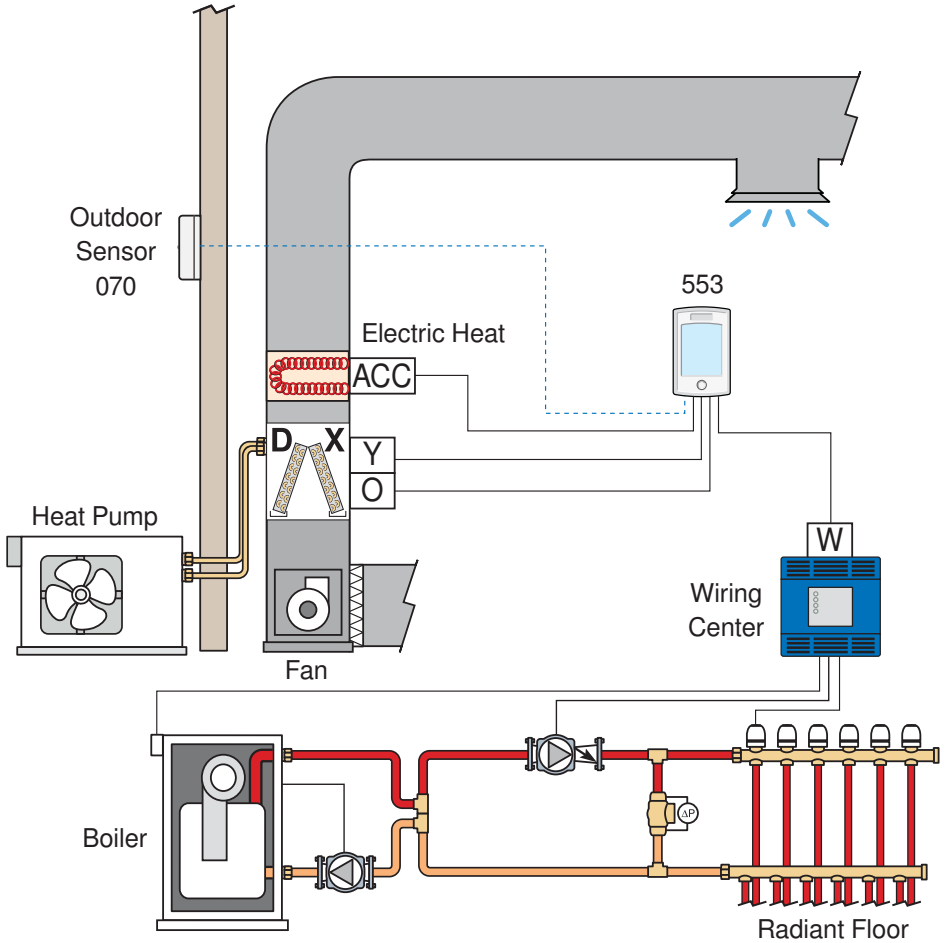


## tekmarNet®2 Wiring



**Description**

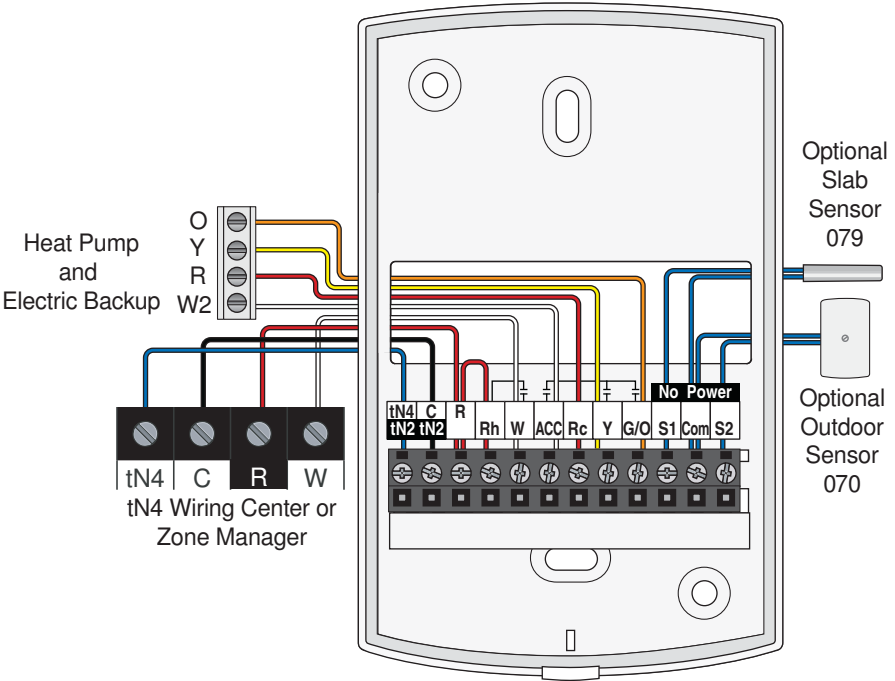
The 553 operates a radiant floor as the first stage of heat and heat pump for second stage heat and first stage cooling. The radiant floor can shut off during moderate outdoor weather to allow only the heat pump to provide heating. Electric strip heating is available for third stage backup heating.



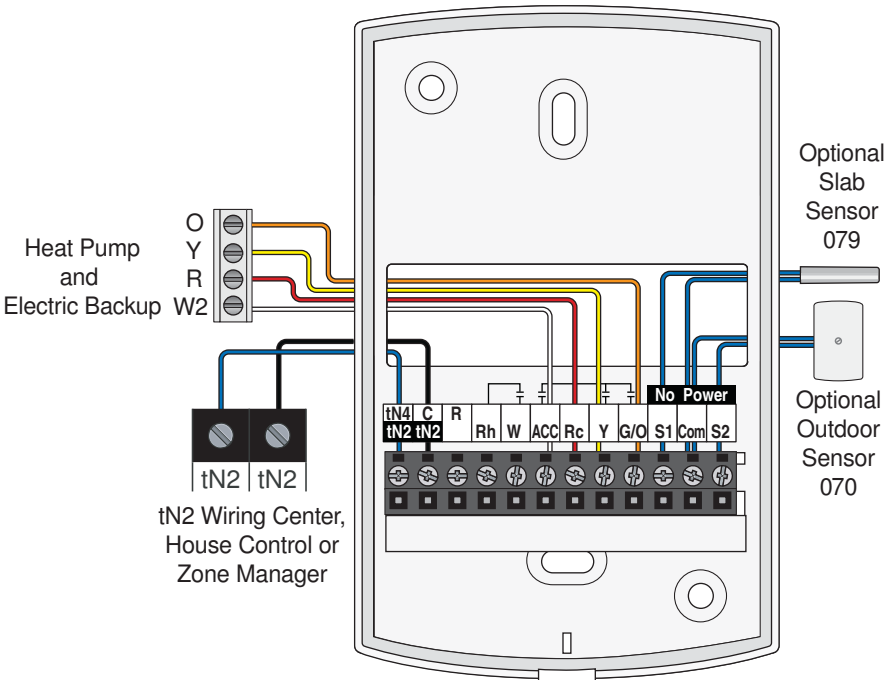
Setup Menu	Essential Setting
Y Relay	HP
W Term	OTHR
ACC Relay	W2
W2 Term	FURN
G / O Relay	O or B

Note: Assumes air handling unit operates fan when Y or ACC are on.

## tekmarNet®4 Wiring

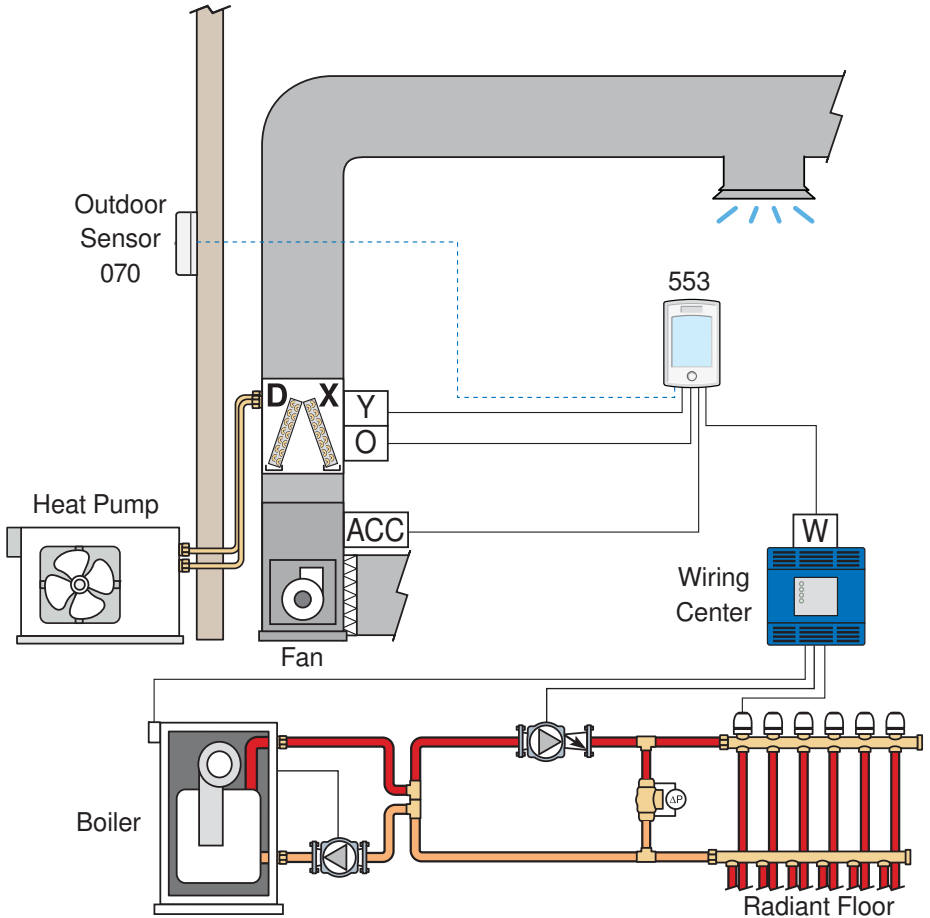


## tekmarNet®2 Wiring



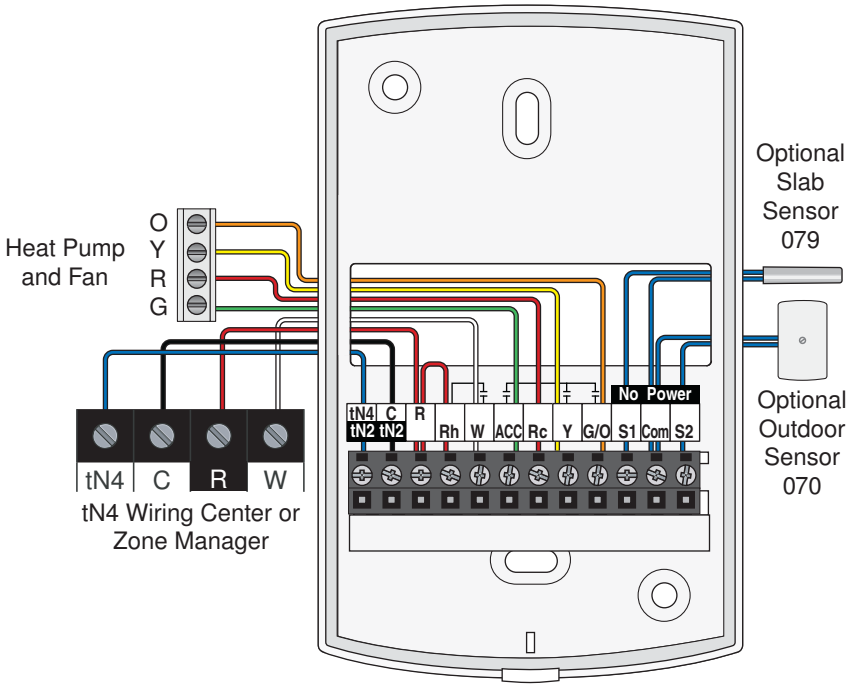
**Description**

The 553 operates a radiant floor as the first stage of heat and a heat pump for second stage heat and first stage cooling. The radiant floor can shut off during moderate outdoor weather to allow only the heat pump to provide heating. The fan operates with the heating and cooling or independently for ventilation.

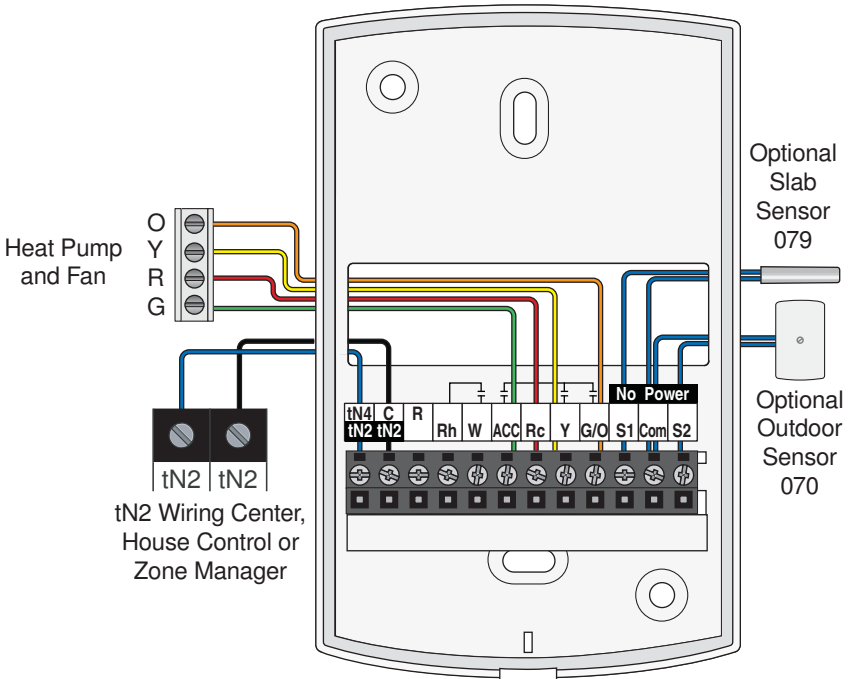


Setup Menu	Essential Setting
Y Relay	HP
W Term	OTHR
ACC Relay	FAN
G / O Relay	O or B

## tekmarNet®4 Wiring



## tekmarNet®2 Wiring





Product design, software and literature are Copyright ©2013 by tekmar Control Systems Ltd.,  
A Watts Water Technologies Company. Head Office: 5100 Silver Star Road, Vernon, B.C.  
Canada V1B 3K4, 250-545-7749, Fax. 250-545-0650 Web Site: [www.tekmarControls.com](http://www.tekmarControls.com)