

tekmar® Submittal

tekmarNet® 4 Thermostat 542



Zoning

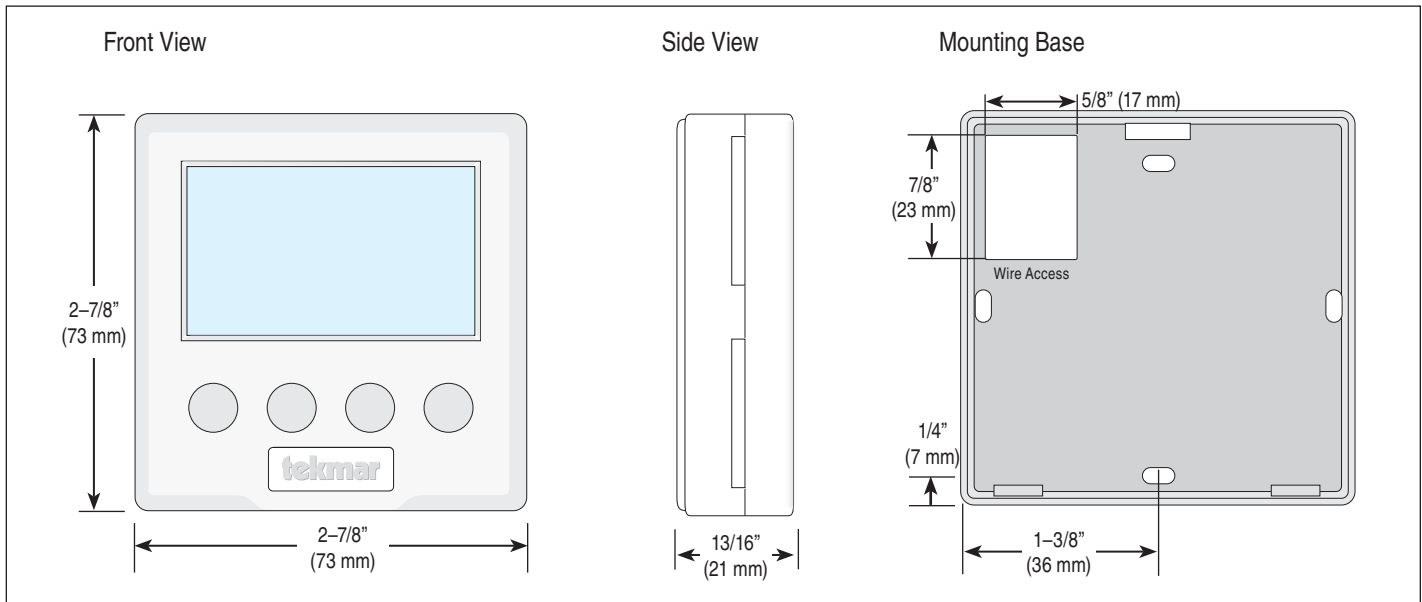
C 542

01/11

Replaces: New

Job _____ Designer _____ Contact _____

The tekmarNet® 4 Thermostat 542 is designed to operate mechanical equipment to deliver heat to a single zone within a hydronic heating system while maintaining a programmable setback schedule. It can be used with any terminal unit type, including radiant floor, baseboard, and fan coils. It is capable of controlling a zone valve or zone pump directly or through a tekmarNet® 4 Wiring Center or Zone Manager to maintain air temperature and an auxiliary temperature. This temperature is typically floor, but could also be remote air.



Specifications

tekmarNet® 4 Thermostat 542 One Stage Heat	
Literature	D542, W542, J542, U542
Control	Microprocessor control. This is not a safety (limit) control
Packaged weight	0.5 lb. (230 g)
Dimensions	2-7/8" H x 2-7/8" W x 13/16" D (73 x 73 x 21 mm)
Enclosure	White PVC plastic, NEMA type 2
Approvals	CSA C US, meets Class B: ICES & FCC Part 15
Ambient conditions	Indoor use only, 32 to 122°F (0 to 50°C), RH ≤80% to 88°F (31°C), down to 50% above 104°F (40°C), Altitude <6560 ft. (2000 m), Installation Category II, Pollution Degree 2
Power supply	24 V (ac) ± 10%, 60 Hz, 1.6 VA
W1 relay	24 V (ac) 2 A max
Sensors	NTC thermistor, 10 kΩ @ 77°F (25°C ±0.2°C) β=3892
-Included	None
-Optional	tekmar type # 070, 071, 072, 073, 076, 077, 078, 079, 082, 084
Warranty	Limited 3 Year (See D542 for full warranty)

Energy Saving Features

- Zone Synchronization
- Zone Post Purge
- Programmable setback schedule
- One touch overrides (with optional User Switch)
- Auto Heating Cycle

Additional Features

- tekmarNet® 4 communication compatible
- Pulse Width Modulation
- CSA C US approved for use in USA and Canada
- Outdoor temperature display
- Schedule master
- Cool Group member
- Backlight
- Freeze Protection
- Equipment Exercising
- 2 Auxiliary Sensor inputs

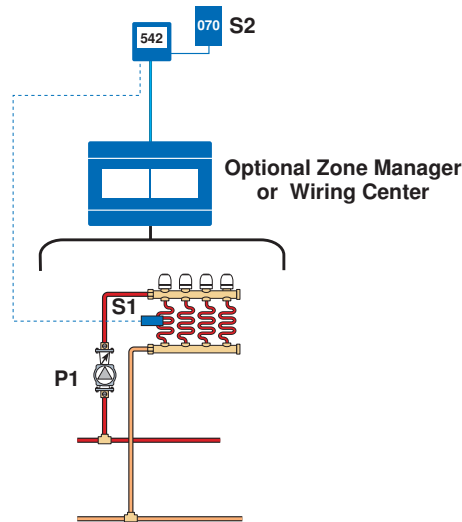
SPECIAL REQUIREMENTS

This thermostat is designed to be used with a tekmarNet® 4 Wiring Center or Zone Manager for power and communication. It can also be used in stand alone applications.

Sample Application Drawing

Below is a sample application drawing for this product. This application may include other tekmar products that are required for installation. More sample applications can be found at www.tekmarcontrols.com.

Sample Mechanical diagram



Sample Electrical diagram

Legend

P1 = Zone Manifold Pump

S1 = Slab Sensor

S2 = Outdoor Sensor

