

tekmar® Quick Setup Guide

tekmarNet®4 Thermostat 540



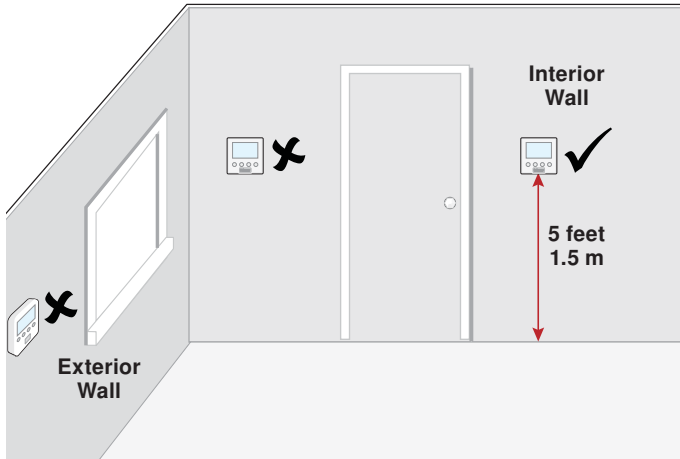
Zoning

Q540

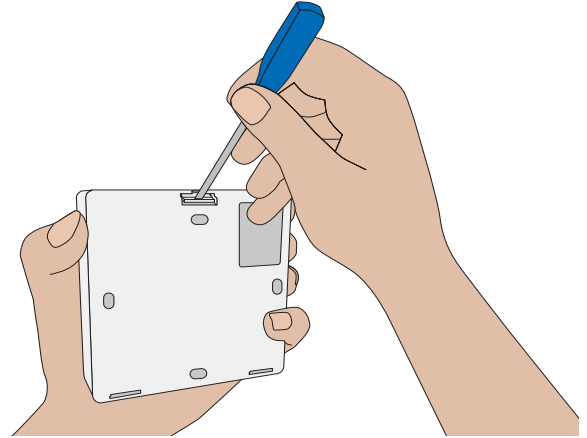
12/11

Replaces: 08/10

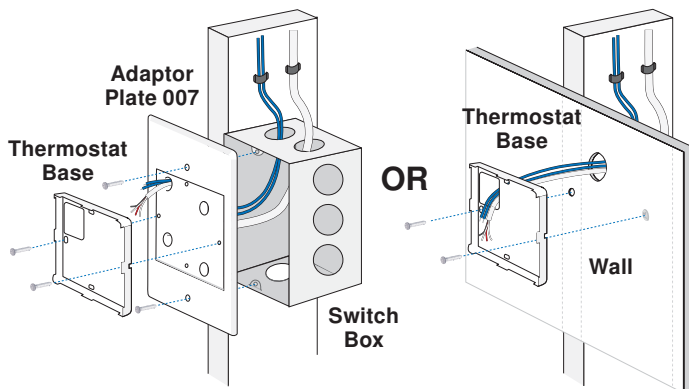
1. Location



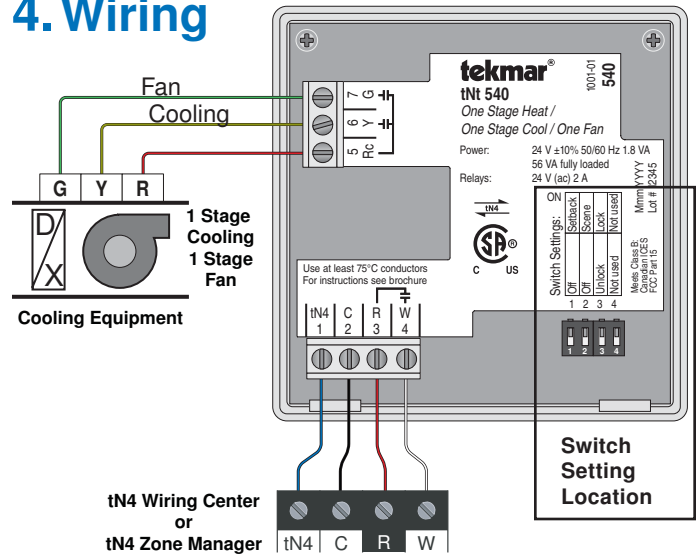
2. Remove Mounting Base



3. Install Mounting Base



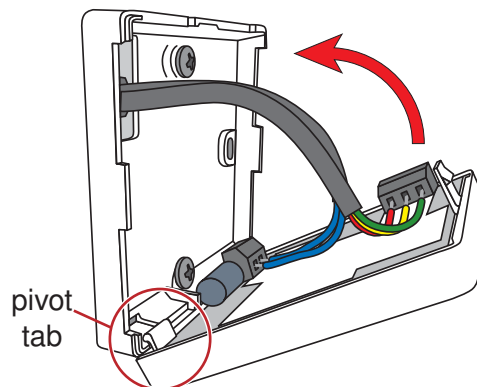
4. Wiring



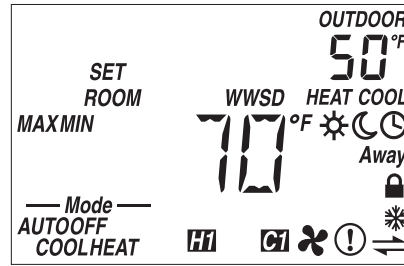
5. Switch Settings

Switch	Position	Action
1	ON	SETBACK Allow thermostat to respond to available schedule. Requires Timer 033.
	OFF	OFF No setback schedule response.
2	ON	SCENE Allow thermostat to respond to scenes. Requires User Switch 479.
	OFF	OFF No scene response.
3	ON	LOCK Locked to 'User' access level. Set to Lock when installation completed.
	OFF	UNLOCK Unlock to access all settings. Set to Unlock during installation.
4	ON	Not used
	OFF	Not used

6. Close Thermostat



7. User Interface



8. Critical Settings

The following settings are essential to the successful operation of the system.

Important Note: Set switch setting #3 and tekmarNet® system control to Unlock to change Access level to Installer. Return to Lock setting once installation has been completed.

Press


^
○

+


v
○

Together

- Press and hold down both the ^ and v buttons for 2 seconds to change from one step to the next.
- Release both buttons once the step has been reached.
- Press the ^ or the v button to change the setting, if available.
- Press and hold down both the ^ and v buttons for 2 seconds to go to the next step, OR
- After 10 seconds of no button activity, the display goes back to normal operation.

Display	Range	Access	Description	Set to
ADJUST 	°F or °C Default = °F	Installer User	TEMPERATURE UNITS Press the ^ or the v button to change from °F to °C and vice versa.	
ADJUST FAN MODE 1	0, 1, 2, 3 Default = 1	Installer	FAN MODE Select how the fan should operate together with heating and cooling. 0 = Manual operation only 1 = Operate fan with cooling only 2 = Operate fan with heating and cooling 3 = Operate fan with heating only	
ADJUST TYPE Hyd HI	Hyd (Hydronic) or Oth (Other) Default = Hydronic	Installer	HEATING TERMINAL TYPE Select if the heating for this zone is hydronic or non-hydronic (other). Available when: <ul style="list-style-type: none"> A reset control is present on the tekmarNet® system. 	
ADJUST SUPPLY On PLUM HI	OFF or On Default = On	Installer	HEAT SUPPLY PUMP During heating, select whether or not the system supply pump should turn on or be off to allow a zone group pump per manifold. Available when: <ul style="list-style-type: none"> A reset control is present on the tekmarNet® system AND Heating terminal type is set to Hydronic. 	

For a full list of settings and operational details, please refer to the thermostat **Installation and Operation Manual (D540)** included with compatible tekmarNet® controls or download the brochure from www.tekmarcontrols.com



tekmar Control Systems Ltd., Canada, tekmar Control Systems, Inc., U.S.A. **Head Office: 5100 Silver Star Road, Vernon, B.C. Canada V1B 3K4, 250-545-7749, Fax. 250-545-0650 Web Site: www.tekmarcontrols.com**

Product design, software and literature are Copyright © 2011 by: tekmar Control Systems Ltd. and tekmar Control Systems, Inc.

2 of 2

All specifications are subject to change without notice. Printed in Canada. Q540 - 12/11. 