

tekmar® Submittal

tekmarNet® 4 Thermostat 540



Zoning

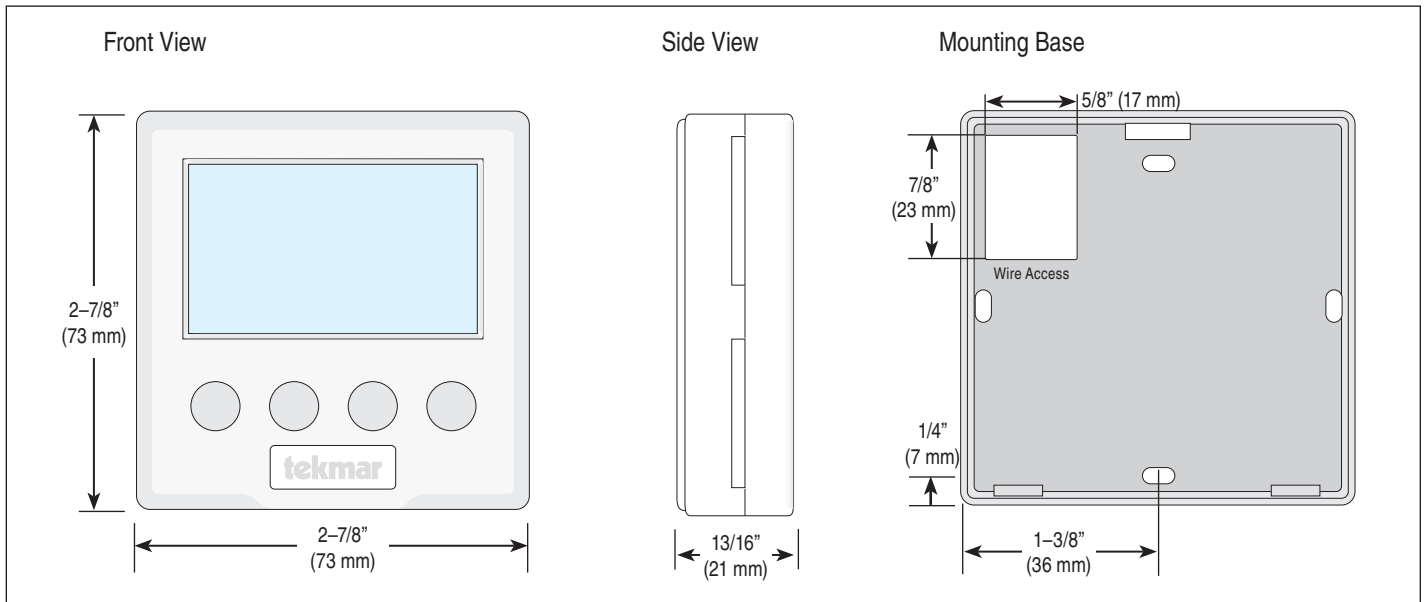
C 540

01/11

Replaces: New

Job _____ Designer _____ Contact _____

The tekmarNet® 4 Thermostat 540 is designed to operate a single stage of heating, cooling, and fan within a residential heating and cooling system. It can be used with any terminal unit type, including radiant floor, baseboard, and fan coils. It is capable of controlling a zone valve or zone pump through a tekmarNet® 4 Wiring Center, Zone Manager or directly from the thermostat, a cooling device, and a fan.



Specifications

tekmarNet® 4 Thermostat 540 One Stage Heat, One Cool, One Fan	
Literature	D540, Q540, U540
Control	Microprocessor control. This is not a safety (limit) control
Packaged weight	0.8 lb. (380 g)
Dimensions	2-7/8" H x 2-7/8" W x 13/16" D (73 x 73 x 21 mm)
Enclosure	White PVC plastic, NEMA type 1
Approvals	CSA C US, meets Class B: ICES & FCC Part 15
Ambient conditions	Indoor use only, 32 to 122°F (0 to 50°C), RH ≤92% to 104°F (40°C), and 50% above 104°F (40°C), Altitude <9840 ft. (3000 m), Pollution Degree 2
Power supply	24 V (ac) ± 10%, 50/60 Hz, 1.8 VA Standby, 56 VA fully loaded, NEC / CEC Class 2
W relay	24 V (ac) 2 A
Y relay	24 V (ac) 2 A
G relay	24 V (ac) 2 A
Warranty	Limited 3 Year (See D540 for full warranty)

Energy Saving Features

- Zone Synchronization
- Zone Post Purge
- Intelligent setback (with tekmar 033 timer)
- Scenes (Away override)
- Auto Heating Cycle
- Cooling Interlock

Additional Features

- tekmarNet® 4 communication compatible
- Requires 7 wires
- One stage heat, cool, and fan
- Pulse Width Modulation
- CSA C US Approved for use in USA and Canada
- Outdoor temperature display
- Cool Group control
- Backlight
- Freeze Protection
- Equipment Exercising
- Room Temperature Limiting

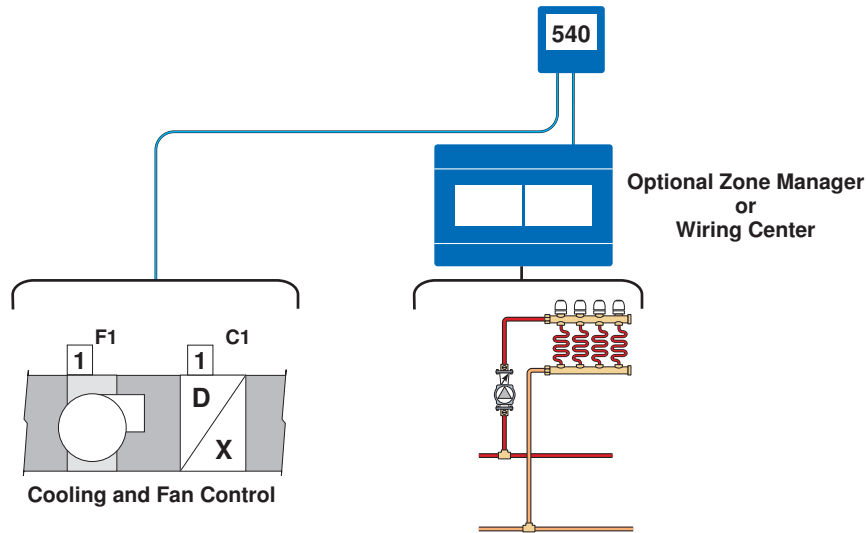
SPECIAL REQUIREMENTS

This thermostat is designed to be used with a tekmarNet® 4 Wiring Center or Zone Manager for power and communication. It can also be used in stand alone applications.

Sample Application Drawing

Below is a sample application drawing for this product. This application may include other tekmar products that are required for installation. More sample applications can be found at www.tekmarcontrols.com.

Sample Mechanical diagram



Sample Electrical diagram

Legend:

C1 = Cooling Control
F1 = Fan Control

