

tekmar[®] Submittal

tekmarNet[®] 4 Thermostat 538



Zoning

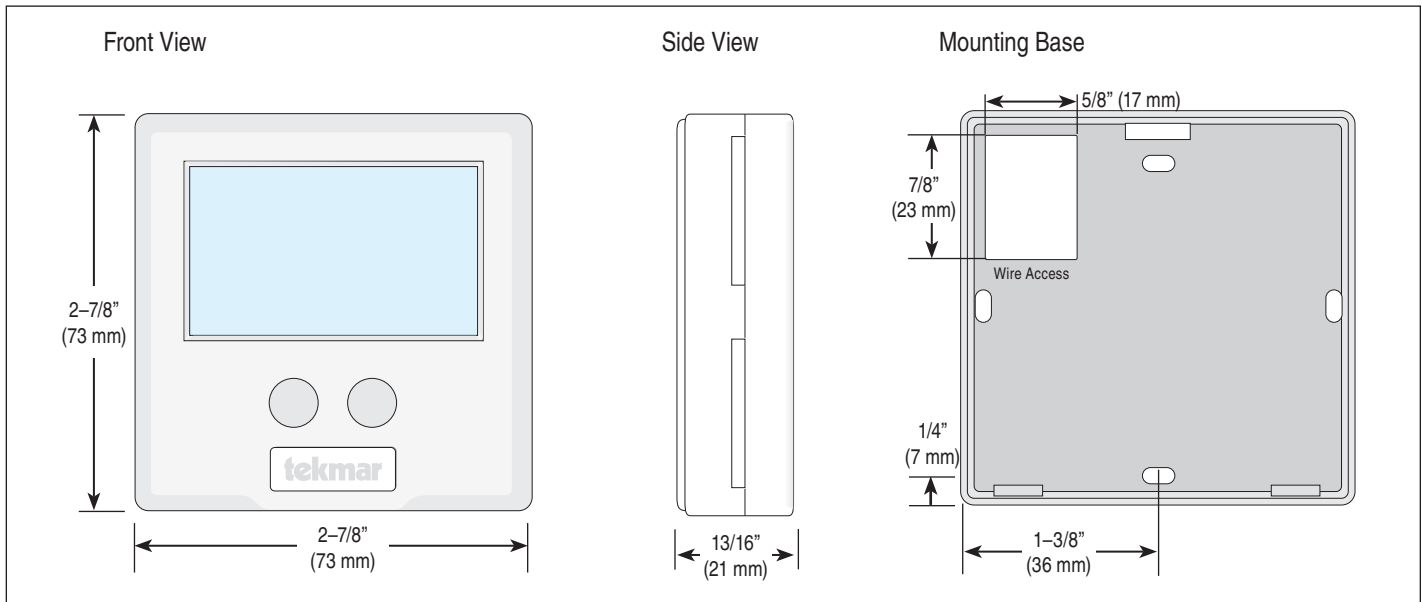
C538

12/11

Replaces: 01/11

Job _____ Designer _____ Contact _____

The tekmarNet[®] 4 Thermostat 538 is designed to operate mechanical equipment to deliver heat to a single zone within a hydronic heating system. It can be used with any terminal unit type, including radiant floor, baseboard, and fan coils. It is capable of controlling a zone valve or zone pump through a tekmarNet[®] 4 Wiring Center, Zone Manager, or directly from the thermostat in order to maintain air and an auxiliary temperature. That is typically a floor temperature, but could also be a remote air sensor.



Specifications

tekmarNet [®] 4 Thermostat 538 One Stage Heat	
Literature	D538, Q538, U538
Control	Microprocessor control. This is not a safety (limit) control
Packaged weight	0.8 lb. (380 g)
Dimensions	2-7/8" H x 2-7/8" W x 13/16" D (73 x 73 x 21 mm)
Enclosure	White PVC plastic, NEMA Type 1
Approvals	CSA C US, meets Class B: ICES & FCC Part 15
Ambient conditions	Indoor use only, 32 to 122°F (0 to 50°C), RH ≤92% to 104°F (40°C), and 50% above 104°F (40°C), Altitude <9840 ft. (3000 m), Pollution Degree 2
Power supply	24 V ±10%, 50/60 Hz, 1.8 VA Standby, 56 VA fully loaded, NEC / CEC Class 2
Relay	24 V (ac) 2 A
Sensors	NTC thermistor, 10 kΩ @ 77°F (25°C ±0.2°C) β=3892
-Included	None
-Optional	tekmar type # 070, 072, 073, 076, 077, 079, 084
Warranty	Limited 3 Year (See D538 for full warranty)

Energy Saving Features

- Zone Synchronization
- Zone Post Purge
- Intelligent setback (with tekmar 033 timer)
- Scenes (Away override)
- Auto Heating Cycle

Additional Features

- tekmarNet[®] 4 communication compatible
- Requires 4 wires
- Pulse Width Modulation
- CSA C US Approved for use in USA and Canada
- Outdoor temperature display
- Air Group Member
- Backlight
- Freeze Protection
- Equipment Exercising
- Floor warming (with 079 slab sensor)
- 1 Auxiliary sensor input
- Room Temperature Limiting
- Supports Radiant Floor Cooling

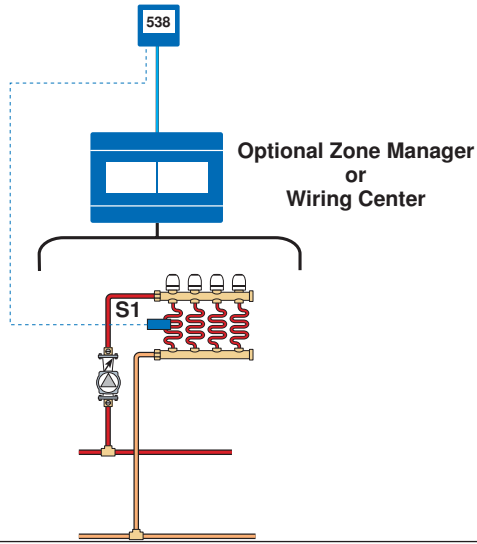
SPECIAL REQUIREMENTS

This thermostat is designed to be used with a tekmarNet[®] 4 Wiring Center or Zone Manager for power and communication. It can also be used in stand alone applications.

Sample Application Drawing

Below is a sample application drawing for this product. This application may include other tekmar products that are required for installation. More sample applications can be found at www.tekmarcontrols.com.

Sample Mechanical diagram



Sample Electrical diagram

Legend:

S1 = Slab Sensor 079

