

# tekmar<sup>®</sup> Submittal

## tekmarNet<sup>®</sup> 4 Thermostat 538



Zoning

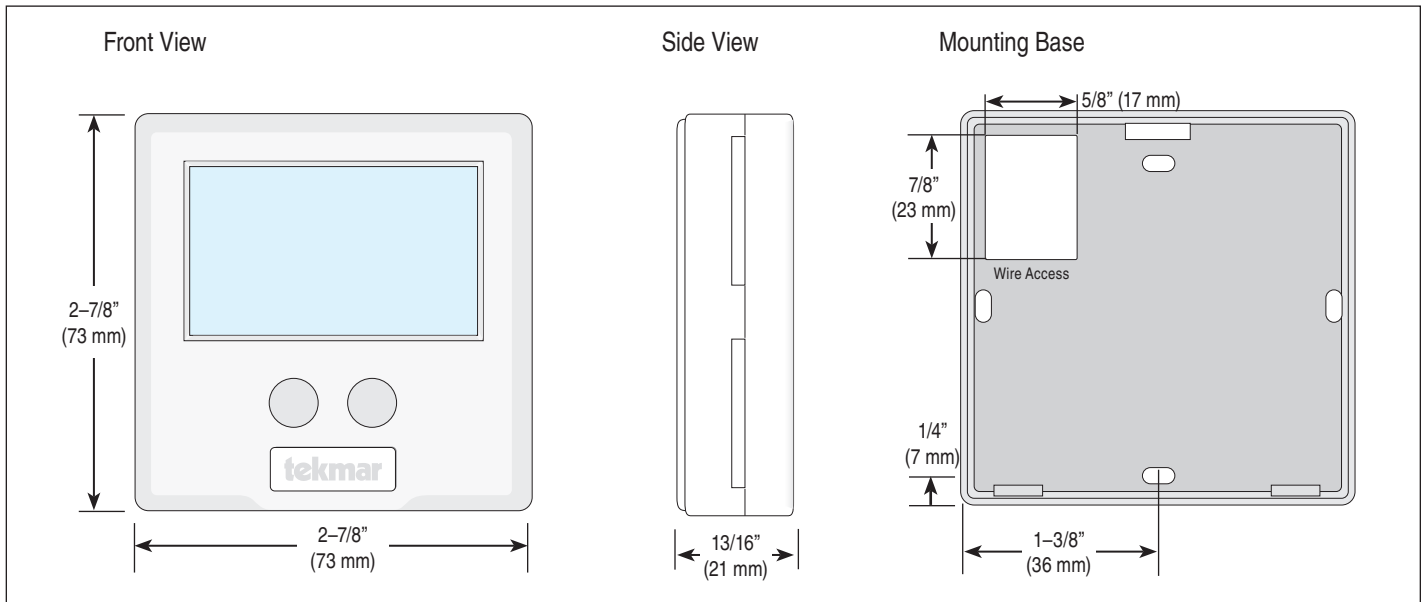
**C538**

01/11

Replaces: New

Job \_\_\_\_\_ Designer \_\_\_\_\_ Contact \_\_\_\_\_

The tekmarNet<sup>®</sup> 4 Thermostat 538 is designed to operate mechanical equipment to deliver heat to a single zone within a hydronic heating system. It can be used with any terminal unit type, including radiant floor, baseboard, and fan coils. It is capable of controlling a zone valve or zone pump through a tekmarNet<sup>®</sup> 4 Wiring Center, Zone Manager, or directly from the thermostat in order to maintain air and an auxiliary temperature. That is typically a floor temperature, but could also be a remote air sensor.



### Specifications

tekmarNet <sup>®</sup> 4 Thermostat 538 One Stage Heat	
Literature	D538, Q538, U538
Control	Microprocessor control. This is not a safety (limit) control
Packaged weight	0.8 lb. (380 g)
Dimensions	2-7/8" H x 2-7/8" W x 13/16" D (73 x 73 x 21 mm)
Enclosure	White PVC plastic
Approvals	CSA C US, meets Class B: ICES & FCC Part 15
Ambient conditions	Indoor use only, 32 to 122°F (0 to 50°C), RH ≤92% to 104°F (40°C), and 50% above 104°F (40°C), Altitude <9840 ft. (3000 m), Pollution Degree 2
Power supply	24 V ±10%, 50/60 Hz, 1.8 VA Standby, 56 VA fully loaded, NEC / CEC Class 2
Relay	24 V (ac) 2 A
Sensors	NTC thermistor, 10 kΩ @ 77°F (25°C ±0.2°C) β=3892
-Included	None
-Optional	tekmar type # 070, 072, 073, 076, 077, 078, 079, 082, 084
Warranty	Limited 3 Year (See D538 for full warranty)

### Energy Saving Features

- Zone Synchronization
- Zone Post Purge
- Intelligent setback (with tekmar 033 timer)
- Scenes (Away override)
- Auto Heating Cycle

### Additional Features

- tekmarNet<sup>®</sup> 4 communication compatible
- Requires 4 wires
- Pulse Width Modulation
- CSA C US Approved for use in USA and Canada
- Outdoor temperature display
- Cool Group member
- Backlight
- Freeze Protection
- Equipment Exercising
- Floor warming (with 079 slab sensor)
- 1 Auxiliary sensor input
- Room Temperature Limiting

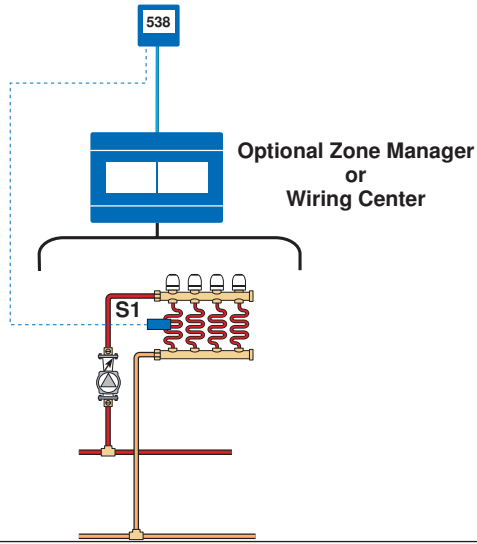
### SPECIAL REQUIREMENTS

This thermostat is designed to be used with a tekmarNet<sup>®</sup> 4 Wiring Center or Zone Manager for power and communication. It can also be used in stand alone applications.

## Sample Application Drawing

Below is a sample application drawing for this product. This application may include other tekmar products that are required for installation. More sample applications can be found at [www.tekmarcontrols.com](http://www.tekmarcontrols.com).

Sample Mechanical diagram



Sample Electrical diagram

Legend:

S1 = Slab Sensor 079

