

tekmar® Submittal

tekmarNet® 4 Thermostat 537



Zoning

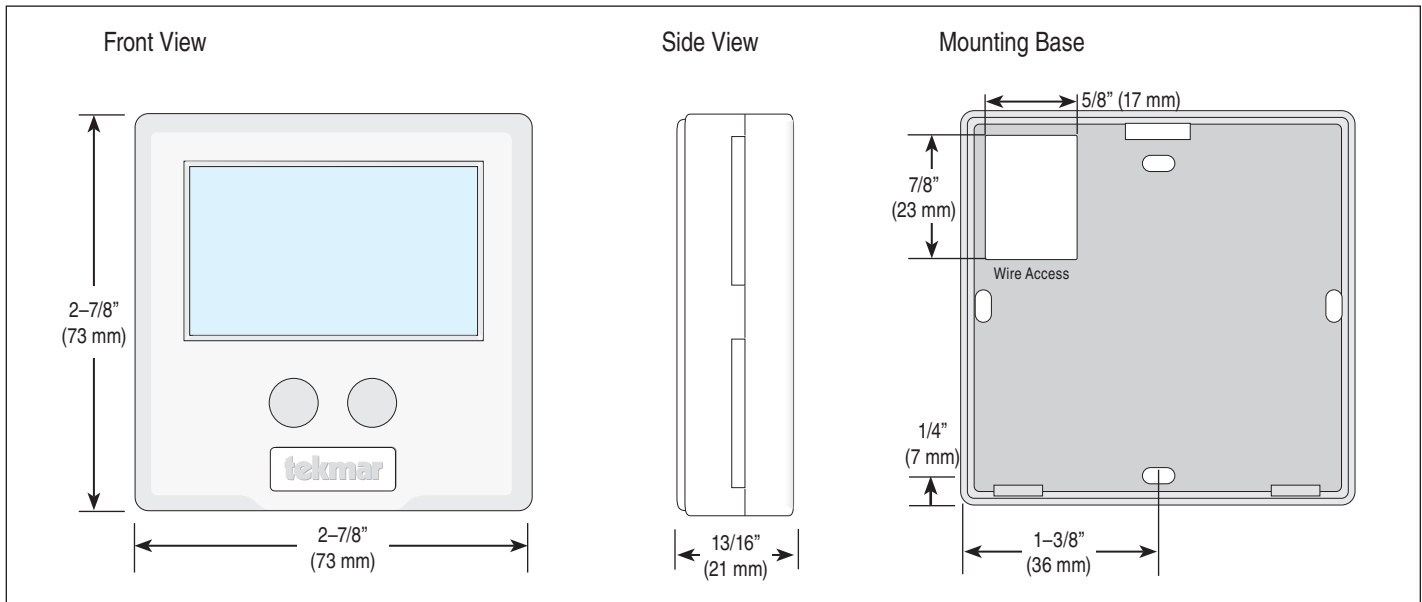
C537

01/11

Replaces: New

Job _____ Designer _____ Contact _____

The tekmarNet® 4 Thermostat 537 is designed to operate mechanical equipment to deliver heat to a single zone within a hydronic heating system. It can be used with any terminal unit type, including radiant floor, baseboard, and fan coils. It is capable of controlling a zone valve or zone pump through a tekmarNet® 4 Wiring Center, Zone Manager, or directly from the thermostat.



Specifications

tekmarNet® 4 Thermostat 537 One Stage Heat	
Literature	D537, Q537, U537
Control	Microprocessor control. This is not a safety (limit) control
Packaged weight	0.8 lb. (380 g)
Dimensions	2-7/8" H x 2-7/8" W x 13/16" D (73 x 73 x 21 mm)
Enclosure	White PVC plastic
Approvals	CSA C US, meets Class B: ICES & FCC Part 15
Ambient conditions	Indoor use only, 32 to 122°F (0 to 50°C), RH ≤92% to 104°F (40°C), and 50% above 104°F (40°C), Altitude <9840 ft. (3000 m), Pollution Degree 2
Power supply	24 V (ac) ±10%, 50/60 Hz, 1.8 VA Standby, 56 VA fully loaded, NEC / CEC Class 2
Relay	24 V (ac) 2 A
Warranty	Limited 3 Year (See D537 for full warranty)

Energy Saving Features

- Zone Synchronization
- Zone Post Purge
- Intelligent Setback (with tekmar 033 timer)
- One touch overrides (with optional User Switch)
- Auto Heating Cycle

Additional Features

- tekmarNet® 4 communication compatible
- Requires 4 wires
- One stage heat
- Pulse Width Modulation
- CSA C US Approved for use in USA and Canada
- Outdoor temperature display
- Cool Group member
- Backlight
- Freeze Protection
- Equipment Exercising
- Room Temperature Limiting

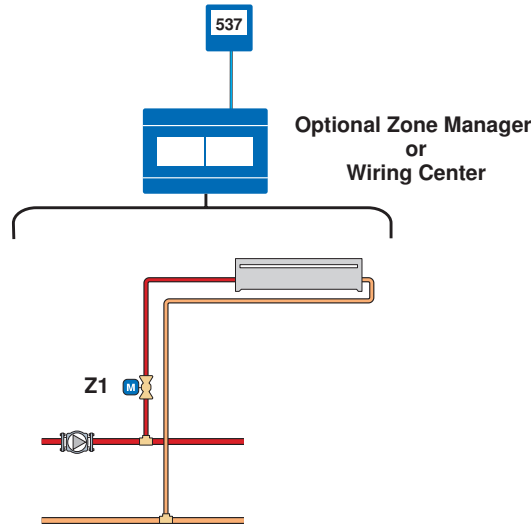
SPECIAL REQUIREMENTS

This thermostat is designed to be used with a tekmarNet® 4 Wiring Center or Zone Manager for power and communication. It can be used in stand alone applications also.

Sample Application Drawing

Below is a sample application drawing for this product. This application may include other tekmar products that are required for installation. More sample applications can be found at www.tekmarcontrols.com.

Sample Mechanical diagram



Sample Electrical diagram

Legend

Z1 = Zone 1

