

tekmar® Submittal

tekmarNet® 2 Thermostat 530



Zoning

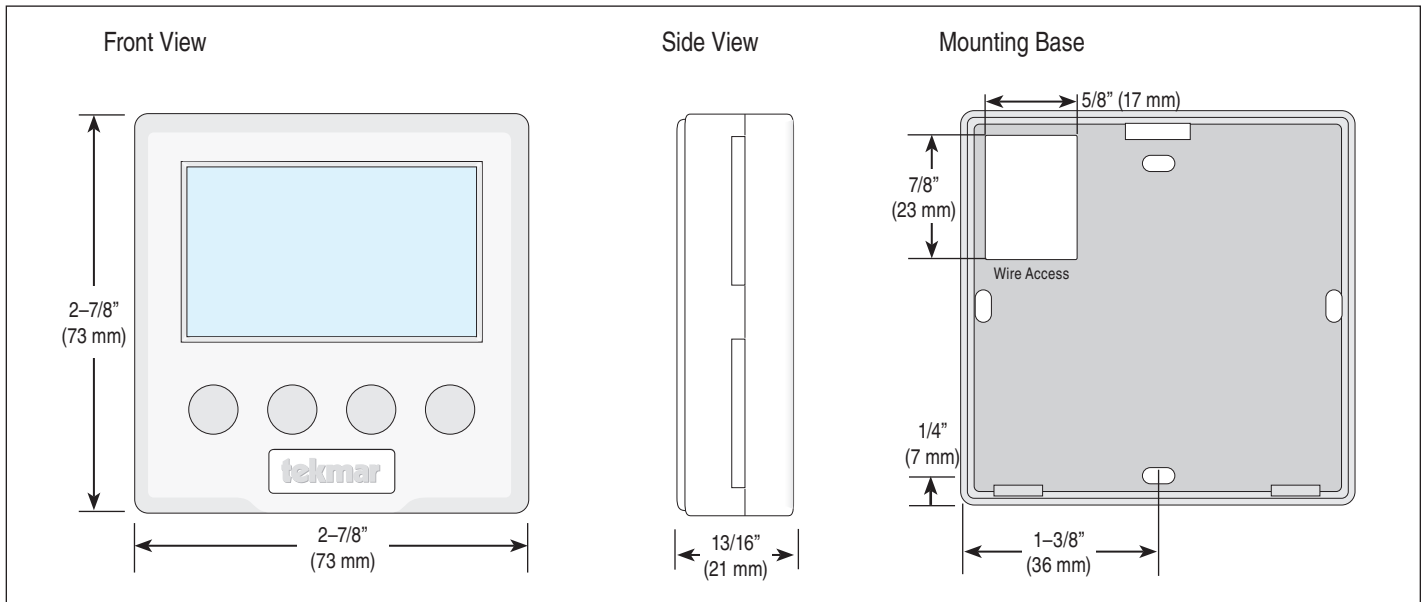
C530

01/11

Replaces: New

Job _____ Designer _____ Contact _____

The tekmarNet® 2 Thermostat 530 is designed to operate a single stage of heating, cooling, and fan within a residential heating and cooling system. It can be used with any terminal unit type, including radiant floor, baseboard, and fan coils. It is capable of controlling a zone valve or zone pump through a tekmarNet® 2 Wiring Center or Zone Manager, a cooling device, and a fan.



Specifications

tekmarNet® 2 Thermostat 530 One Stage Heat, One Cool, One Fan	
Literature	D530, Q530, U530
Control	Microprocessor control. This is not a safety (limit) control
Packaged weight	0.8 lb. (380 g)
Dimensions	2-7/8" H x 2-7/8" W x 13/16" D (73 x 73 x 21 mm)
Enclosure	White PVC plastic
Approvals	CSA C US, meets Class B: ICES & FCC Part 15
Ambient conditions	Indoor use only, 32 to 122°F (0 to 50°C), RH ≤80% to 88°F (31°C), down to 50% above 104°F (40°C), Altitude <6560 ft. (2000 m), Installation Category II, Pollution Degree 2
Power supply	Provided by tekmarNet®2 Control
Y relay	24 V (ac) 2 A
G relay	24 V (ac) 2 A
Warranty	Limited 3 Year (See D530 for full warranty)

Energy Saving Features

- Zone Synchronization
- Zone Post Purge
- Intelligent setback (with tekmar 033 timer)
- One touch overrides (with optional User Switch)
- Auto Heating Cycle
- Cooling Interlock

Additional Features

- tekmarNet®2 communication compatible
- Requires 2 wires
- One stage heat, cool, and fan
- Pulse Width Modulation
- CSA C US Approved for use in USA and Canada
- Outdoor temperature display
- Cool Group master
- Backlight
- Freeze Protection
- Equipment Exercising
- Auto heat-cool switchover
- Room Temperature Limiting

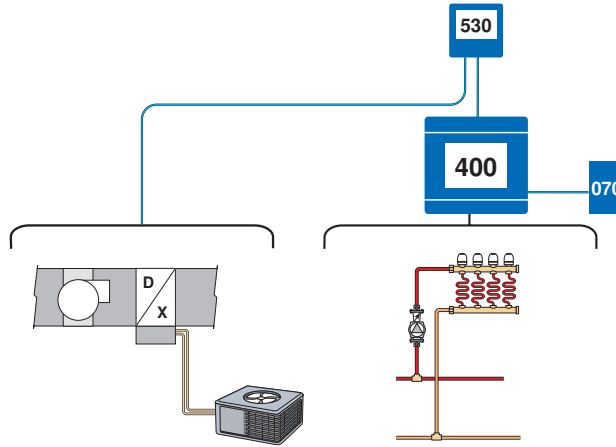
SPECIAL REQUIREMENTS

This thermostat must be used with a tekmarNet®2 House Control, Wiring Center or Zone Manager for power and communication.

Sample Application Drawing

Below is a sample application drawing for this product. This application may include other tekmar products that are required for installation. More sample applications can be found at www.tekmarcontrols.com.

Sample Mechanical diagram



Sample Electrical diagram

