

tekmar® Submittal

tekmarNet® 2 Thermostat 529



Zoning

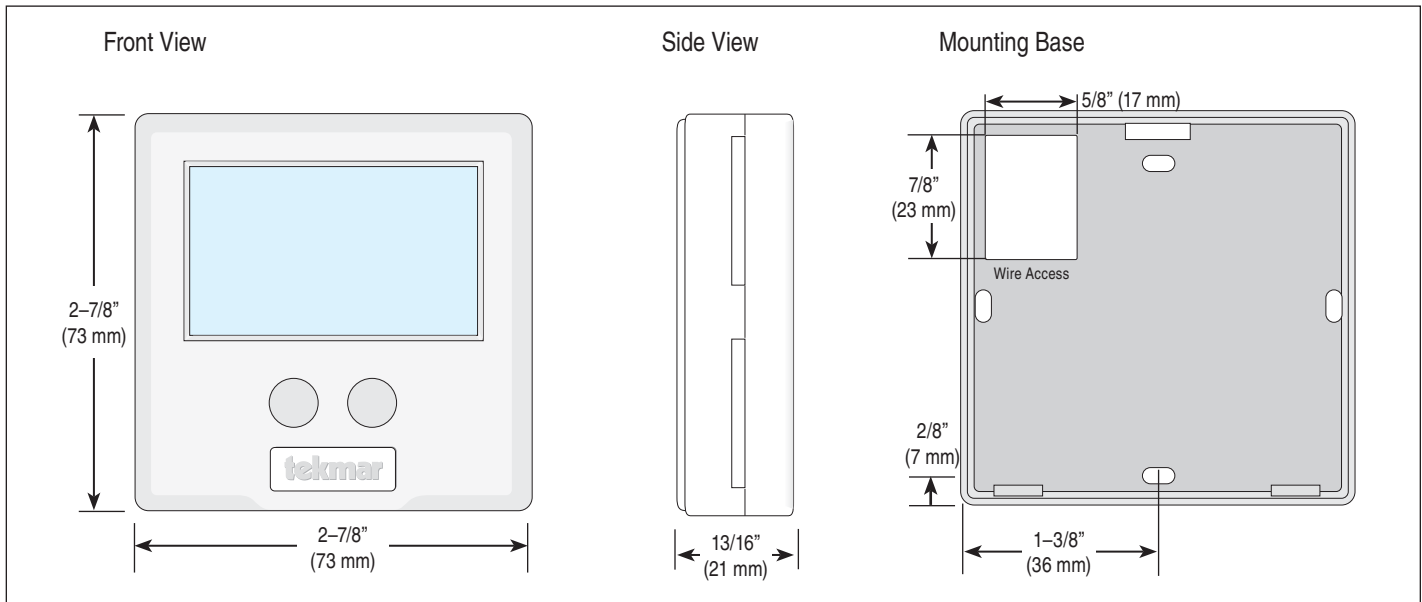
C 529

12/11

Replaces: 01/11

Job _____ Designer _____ Contact _____

The tekmarNet® 2 Thermostat 529 is designed to operate mechanical equipment to deliver 2 stages of heat to a single zone within a hydronic heating system. It can be used with any terminal unit type, including radiant floor, baseboard, and fan coils. It is capable of controlling up to 2 stages of heat using zone valves or zone pumps through a tekmarNet® 2 Wiring Center or Zone Manager in order to maintain air and an auxiliary temperature. That temperature is typically a floor temperature, but could also be a remote air sensor.



Specifications

tekmarNet® 2 Thermostat 529 Two Stage Heat	
Literature	D529, Q529, U529
Control	Microprocessor control. This is not a safety (limit) control
Packaged weight	0.8 lb. (380 g)
Dimensions	2-7/8" H x 2-7/8" W x 13/16" D (73 x 73 x 21 mm)
Enclosure	White PVC plastic, NEMA type 1
Approvals	CSA C US, meets Class B: ICES & FCC Part 15
Ambient conditions	Indoor use only, 32 to 122°F (0 to 50°C), RH ≤80% to 88°F (31°C), down to 50% above 104°F (40°C), Altitude <6560 ft. (2000 m), Installation Category II, Pollution Degree 2
Power supply	Provided by tekmarNet® 2 Control, 1.3 VA
Rh - W2 Relay	24 V (ac) 2 A
Sensors	NTC thermistor, 10 kΩ @ 77°F (25°C ±0.2°C) β=3892
-Included	None
-Optional	tekmar type # 070, 072, 073, 076, 077, 079, 082, 084
Warranty	Limited 3 Year (See D529 for full warranty)

Energy Saving Features

- Zone Synchronization
- Zone Post Purge
- Intelligent Setback (with tekmar 033 timer)
- One touch overrides (with optional User Switch)
- Auto Heating Cycle

Additional Features

- tekmarNet® 2 Communication compatible
- Requires 2 wires
- Two stage heat
- Pulse Width Modulation
- CSA C US Approved for use in USA and Canada
- Outdoor Temperature display
- Air Group Member
- Backlight
- Freeze Protection
- Equipment Exercising
- Floor Warming (with 079 Slab Sensor)
- 1 auxiliary sensor input
- Room Temperature Limiting
- Supports Radiant Floor Cooling

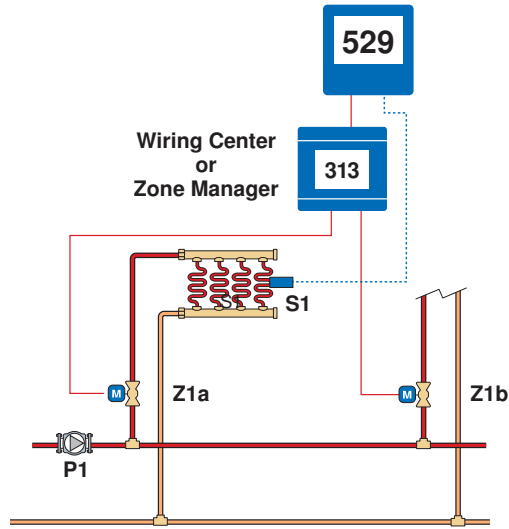
SPECIAL REQUIREMENTS

This thermostat must be used with a tekmarNet® 2 Wiring Center or Zone Manager for power and communication.

Sample Application Drawing

Below is a sample application drawing for this product. This application may include other tekmar products that are required for installation. More sample applications can be found at www.tekmarcontrols.com.

Sample Mechanical diagram



Sample Electrical diagram

Legend

P1 = System Pump
 S1 = Slab Sensor
 Z1a = Stage 1 Heat
 Z1b = Stage 2 Heat

