

tekmar[®] Submittal

Programmable Thermostat 512



Zoning

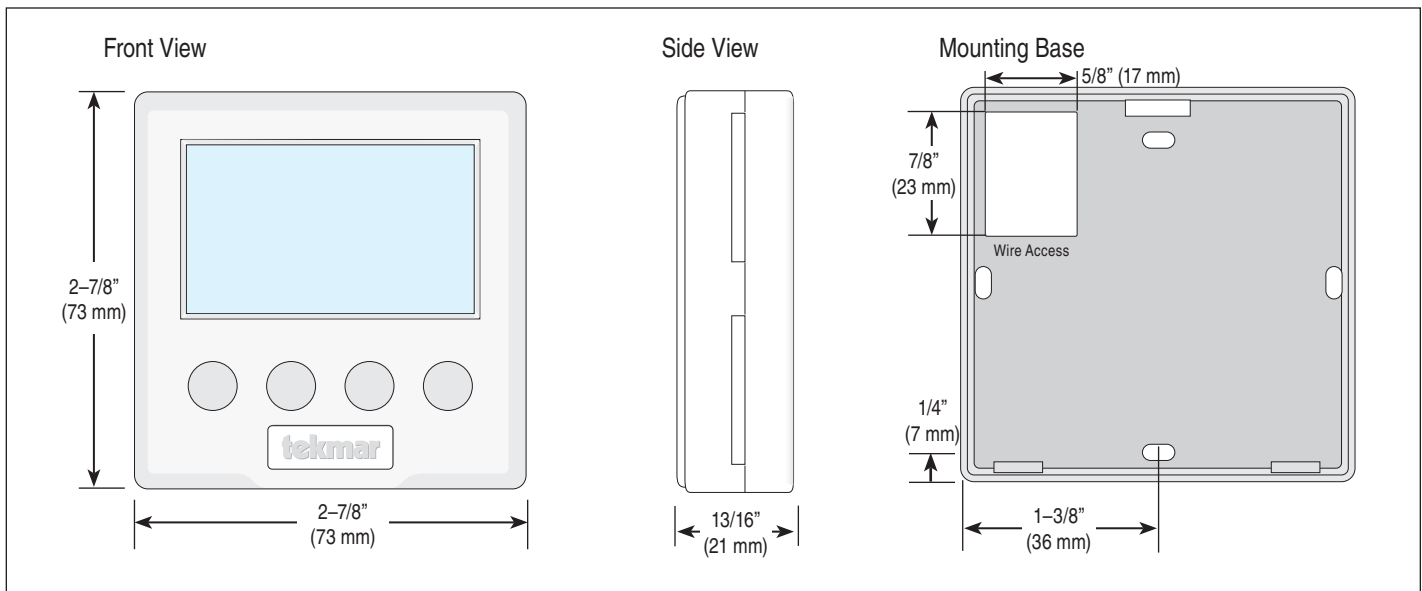
C512

05/11

Replaces: 01/11

Job _____ Designer _____ Contact _____

The Programmable Thermostat 512 is a micro-processor based control designed to operate mechanical equipment to deliver heating and cooling to a single zone within a hydronic heating system. It can be used with any terminal unit type, including radiant floor, baseboard, and fan coils. This product maintains very accurate and even air temperature with Pulse Width Modulation and Auto Cycling. It is capable of controlling a zone valve or zone pump directly or through a tekmarNet[®] 4 Wiring Center or Zone Manager, as well as a cooling device, to maintain air temperature and 2 auxiliary temperatures. These temperatures could be floor or remote air.



Specifications

Programmable Thermostat 512 Two Stage Heat / Heat-Cool	
Literature	D512, U512
Control	Microprocessor control. This is not a safety (limit) control
Packaged weight	0.46 lb. (210 g)
Dimensions	2-7/8" H x 2-7/8" W x 13/16" D (73 x 73 x 21 mm)
Enclosure	White PVC plastic
Approvals	CSA C US, meets class B: ICES & FCC Part 15
Ambient conditions	Indoor use only, 32 to 122°F (0 to 50°C), RH ≤90% Non-condensing
Power supply	24 V (ac) ±10%, 60 Hz, 3 VA
Relays	24 V (ac) 2 A max, Class 2
Sensors	NTC thermistor, 10 kΩ @ 77°F (25°C ±0.2°C) β=3892
-Optional	tekmar type #: 070, 071, 072, 073, 076, 077, 078, 079, 082, 084
Warranty	Limited 3 Year (See D512 for full warranty)

Energy Saving Features

- Programmable Setback Schedule

Additional Features

- Auto Heating Cycle
- Pulse Width Modulation
- CSA C US Approved for use in USA and Canada
- Freeze Protection
- 2 auxiliary sensor inputs
- Slab max. and min. settings with installed slab sensor
- Heat/Cool Interlock
- Heat/Cool Auto Switch-over

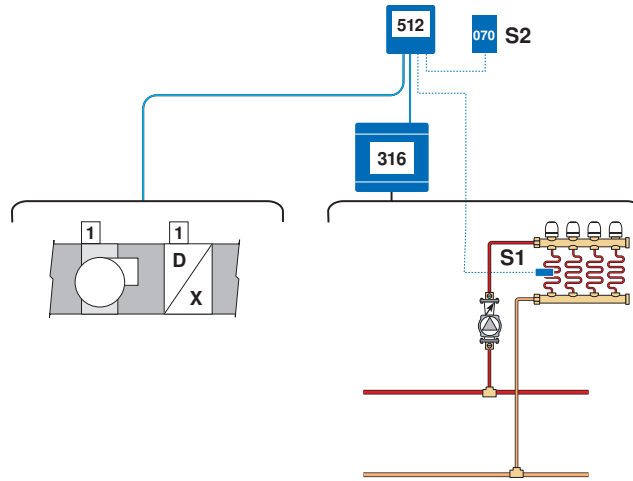
SPECIAL REQUIREMENTS

N / A

Sample Application Drawing

Below is a sample application drawing for this product. This application may include other tekmar products that are required for installation. More sample applications can be found at www.tekmarcontrols.com.

Sample Mechanical diagram



Sample Electrical diagram

Legend

- S1 = Slab Sensor
- S2 = Outdoor Sensor

