

tekmar® Submittal

tekmarNet® 4 Dual Zone Manager 337



Zoning

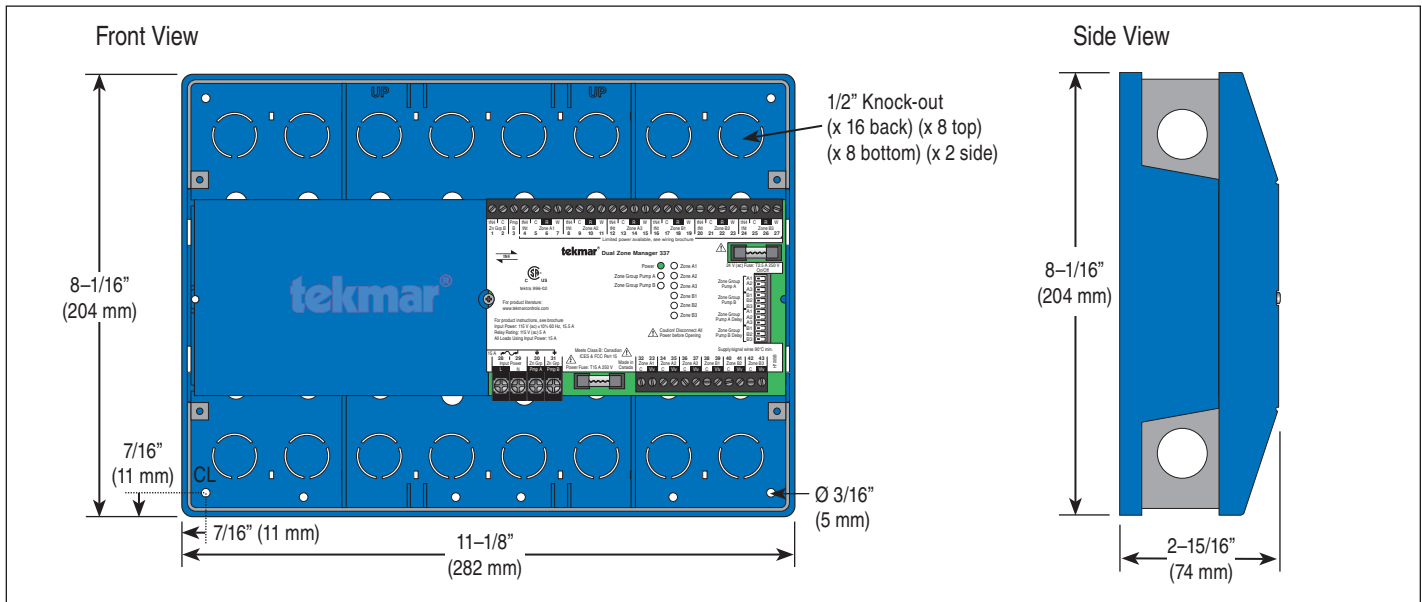
C337

01/11

Replaces: New

Job _____ Designer _____ Contact _____

The tekmarNet® 4 Dual Zone Manager 337 is designed to provide a zoning solution for heating systems. It can be used in applications ranging from baseboard zones, to radiant heating manifolds. This product can operate up to 6 zone valves in 2 groups. It is capable of providing power for up to 6 tekmarNet® 4 or stand alone thermostats and energizing their respective 24 V (ac) zones, as well as providing two separate Zone Group Pump (powered end switch) contacts to enable an external device such as a manifold pump. Zone Group Pump 1 is for zones 1-3 and Zone Group Pump 2 can be activated if zones 4-6 call for heat.



Specifications

tN4 Dual Zone Manager 337 Three + Three Zone Valves	
Literature	D337, W337, J337
Control	Microprocessor control. This is not a safety (limit) control
Packaged weight	5.5 lb. (2490 g)
Dimensions	8-1/16" H x 11-1/8" W x 2-15/16" D (204 x 282 x 74 mm)
Enclosure	Blue PC+ABS plastic with metal top and bottom conduit connection walls, NEMA type 1
Approvals	CSA C US, meets Class B: ICES & FCC Part 15
Ambient conditions	Indoor use only, 32 to 122°F (0 to 50°C), RH ≤80% to 88°F (31°C), down to 50% above 104°F (40°C), Altitude <6560 ft. (2000 m), Installation Category II, Pollution Degree 2
Power supply	115 V (ac) +/- 10%, 60 Hz, 15.5 A, fuse T15 A 250 V
Transformer power available	24 V (ac) 50 VA, fuse T2.5 A 250 V
Zone group pump A relay	115 V (ac) 5 A
Zone group pump B relay	115 V (ac) 5 A
Combined load on input power	15 A max
Group pump B demand	24 V (ac) < 0.1 VA
Warranty	Limited 3 Year (See D337 for full warranty)

Features

- tekmarNet® 4 compatible
- Internal 50 VA transformer
- Three powered zone valve outputs on tekmarNet® 4 Bus A
- Three powered zone valve outputs on tekmarNet® 4 Bus B
- Two powered zone group pump outputs (A and B)
- Simple wiring
- Time delay for thermal motor zone valves
- CSA C US Certified for use in USA and Canada
- Provides power to tekmarNet® 4 reset module

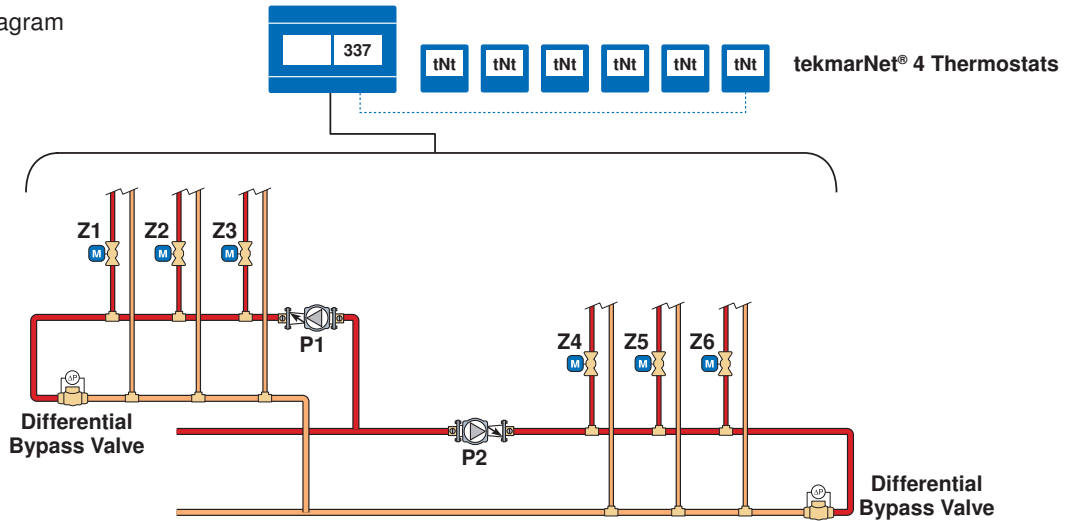
SPECIAL REQUIREMENTS

Designed for use with tekmarNet® 4 Thermostats.

Sample Application Drawing

Below is a sample application drawing for this product. This application may include other tekmar products that are required for installation. More sample applications can be found at www.tekmarcontrols.com.

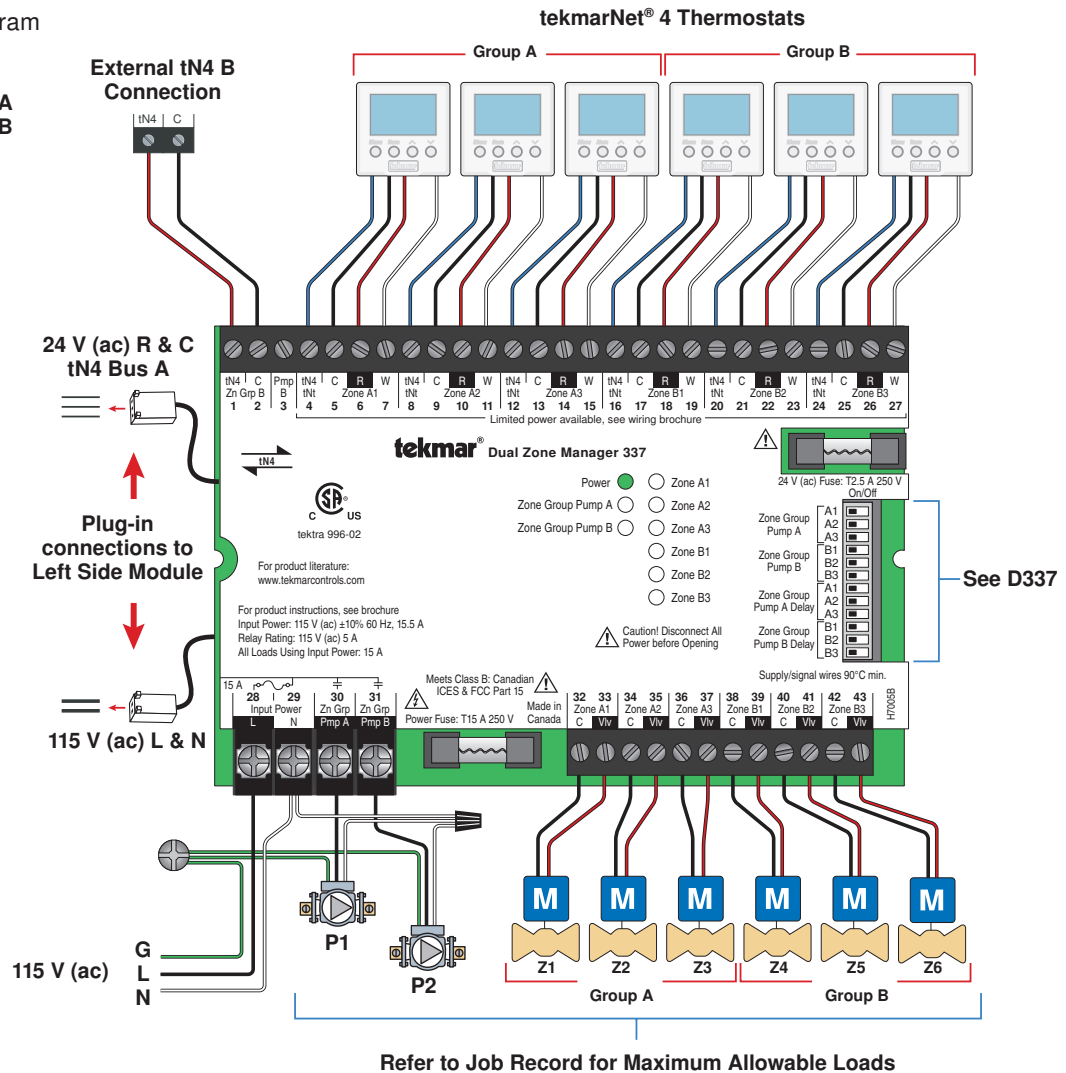
Sample Mechanical diagram



Sample Electrical diagram

Legend

- P1 = Zone Group Pump A
- P2 = Zone Group Pump B
- Z1 = Zone 1A
- Z2 = Zone 2A
- Z3 = Zone 3A
- Z4 = Zone 4B
- Z5 = Zone 5B
- Z6 = Zone 6B



tekmar Control Systems Ltd., Canada, tekmar Control Systems, Inc., U.S.A. Head Office: 5100 Silver Star Road, Vernon, B.C. Canada V1B 3K4, 250-545-7749, Fax. 250-545-0650 Web Site: www.tekmarcontrols.com

