

Engineering Specification

Job Name _____

Contractor _____

Job Location _____

Approval _____

Engineer _____

Contractor's P.O. No. _____

Approval _____

Representative _____

LEAD FREE*

Series LF510 Dual Check Backflow Preventers

Sizes 1/2" – 1"

Series LF510 Dual Check Backflow Preventers provide cost-effective backflow protection of the public water supply when used according to the local or state plumbing code requirements. The LF510 features Lead Free* construction to comply with low lead installation requirements.

Available with an extensive combination of inlet/outlet sizes, types of thread, and end connections – including retrofit compression fittings and hose connections – the Series LF510 can be installed in a variety of piping configurations and in conjunction with a wide range of meter horns, copper setters, and meter boxes.

The straight line, poppet-type construction of the Series LF510 minimizes pressure drop and provides smooth flow characteristics. It can be installed horizontally or vertically. It is not adversely affected by normal line pressure surges, will not cause water hammer, and operates without chatter or vibration.

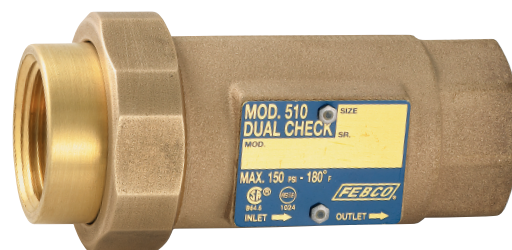
Features

- Low pressure drop
- Easy maintenance and service
- Wide selection of types, sizes and connections
- Chloramine resistance – for long life under the harshest water conditions
- Complete modularity – for easy maintenance
- Limit stops – to prevent damage from thermal expansion
- Center and edge guides – to ensure repeatable seating and minimize localized wear
- No exposed screws or threads – to eliminate corrosion potential and improve serviceability
- ASSE 1024 Certified.

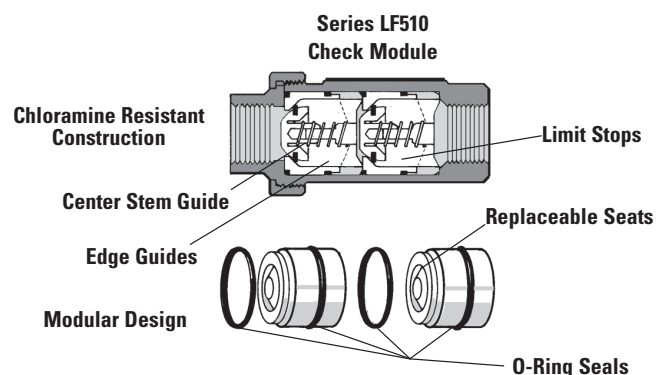
Materials

Body:	Lead Free* Bronze
Check Modules:	Acetyl resin and PPO
Discs:	Silicone
Seals:	Buna-N
Springs:	Stainless steel

*The wetted surface of this product contacted by consumable water contains less than 0.25% of lead by weight.



LF510



Pressure – Temperature

Temperature Range: 33°F – 180°F, (0.5°C – 82.2°C)
Maximum Working Pressure: 150 psi (10 bar)

Specification

The dual check backflow preventer shall meet the domestic requirements of ANSI/ASSE Standard 1024 and bear the seal of approval. It shall be Lead Free* bronze-bodied and include not less than one union, with the union nut drilled to accept a tamper-proofing lock wire. A brass identification tag indicating direction of flow shall be securely attached to the valve body by corrosion resistant mechanical fasteners. The Lead Free* dual check backflow preventers shall comply with state codes and standards, where applicable, requiring reduced lead content. The dual check shall be a FEBCO Series LF510.

NOTICE

The information contained herein is not intended to replace the full product installation and safety information available or the experience of a trained product installer. You are required to thoroughly read all installation instructions and product safety information before beginning the installation of this product.



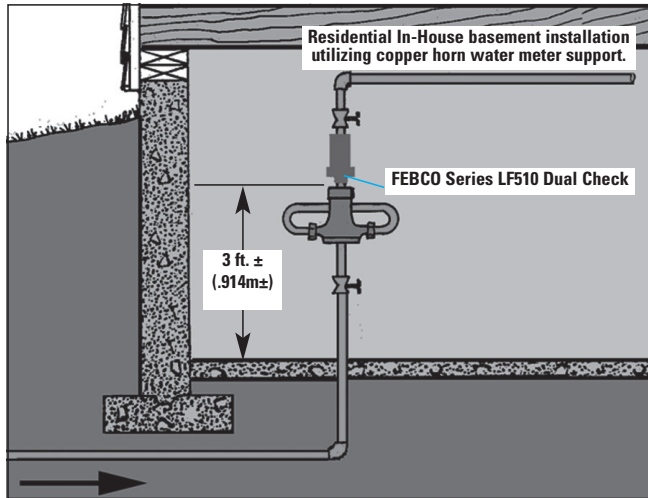
A WATTS Brand

Approvals

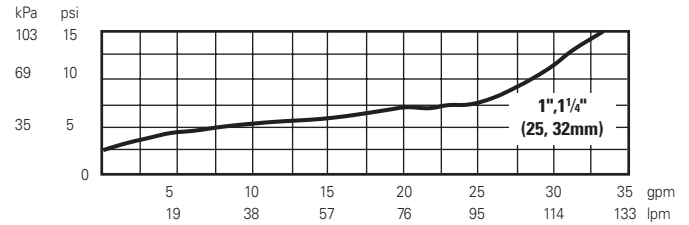
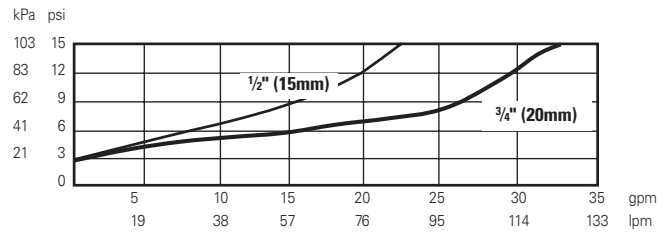


1024

Typical Installation



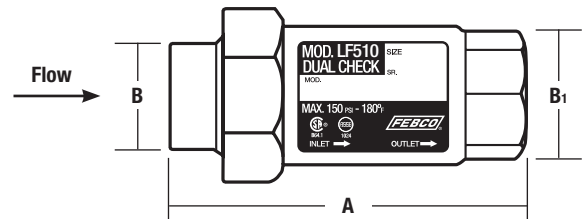
Capacity



Dimension – Weight

Size: 4 3/8"

A		B		B1		WEIGHT	
in.	mm	in.	in.	mm	lbs.	kgs.	
4 3/8	110	2 5/16	1 3/4	44	1.75	.79	



How To Order

FEBCO Dual Check Backflow Preventers can be specified in many different combinations of connection types, sizes, and union options. See ordering example below.

Specify Series No.	Specify "U" if union inlet is desired	Specify inlet connection code	Specify "U" if union outlet is desired	Specify outlet connection code	Specify inlet connection code	Specify outlet connection size
LF510	U	2	U	2	3/4"	3/4"

When ordering Series LF510 Valves with Meter Thread Connections, be sure to order connection size one size larger than meter thread.

Examples"

METER SIZE	ORDER
1/2" (15mm) and 5/8" (16mm)	3/4"
5/8" (16mm) and 3/4" (20mm)	1"
1" (25mm)	1 1/4"

Models

TYPE CONNECTION	CONNECTION CODE	SIZES AVAILABLE
		<i>inches</i>
National Pipe Thread Female	2	1/2, 3/4, 1
National Pipe Thread Male	3	1/2, 3/4, 1, 1 1/4
Meter Thread Female*	4	3/4, 1, 1 1/4
Meter Thread Male*	5	3/4, 1, 1 1/4
Pack Joint Female	6	3/4, 1
Pack Joint Male	7	3/4, 1
Female Solder	8	3/4, 1
Male Solder	9	3/4, 1
Female Meter Thread (Swivel)	10	3/4, 1, 1 1/4
Male Hose Thread	11	3/4,
Female Hose Thread	12	3/4,
Male Meter Yoke Thread	13	3/4,
PEX	15	1/2, 3/4, 1
CPVC	16	1/2, 3/4, 1

Union (U) Connections available on all inlet/outlet types and sizes.*



A WATTS Brand

USA: T: (800) 767-1234 • F: (800) 788-4491 • FEBCOonline.com
 Canada: T: (888) 208-8927 • F: (905) 332-7068 • FEBCOonline.ca
 Latin America: T: (52) 55-4122-0138 • FEBCOonline.com