

# Engineering Specification

Job Name \_\_\_\_\_

Contractor \_\_\_\_\_

Job Location \_\_\_\_\_

Approval \_\_\_\_\_

Engineer \_\_\_\_\_

Contractor's P.O. No. \_\_\_\_\_

Approval \_\_\_\_\_

Representative \_\_\_\_\_

Tag \_\_\_\_\_

## RD28 Cast Iron Flanged Roof Drain

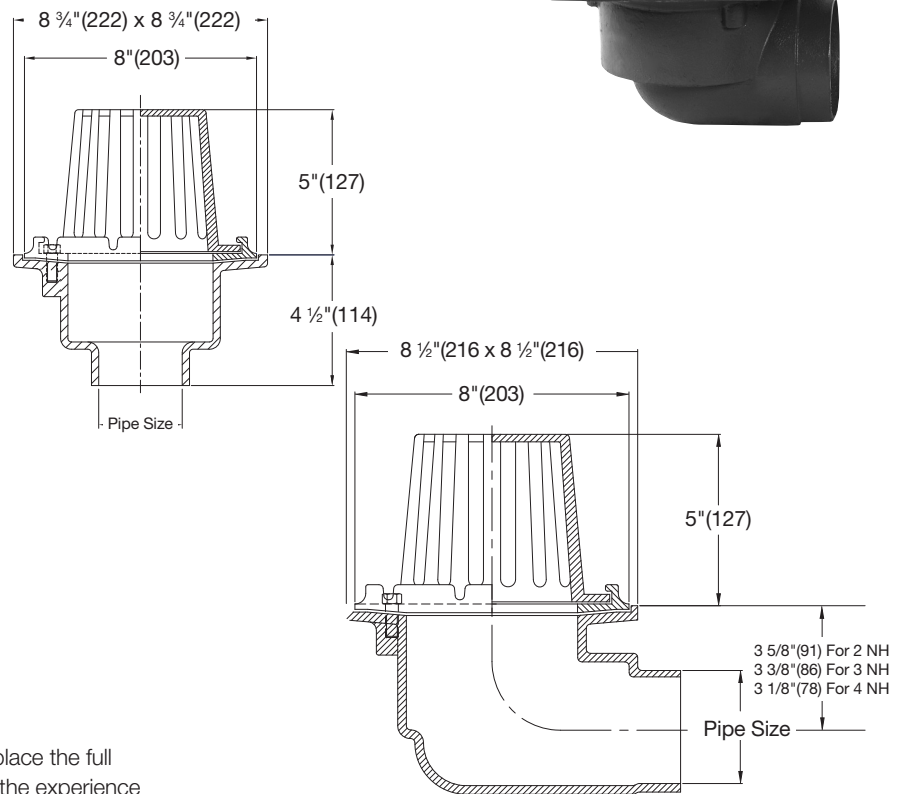
### Specifications

Watts Light Commercial RD28 cast iron roof drain with integral deck flange, secured cast iron dome, and bottom or side outlet.



Pipe Sizing		
Suffix	Description	
-2 NH	2"(51) No Hub	<input type="checkbox"/>
-3 NH	3"(76) No Hub	<input type="checkbox"/>
-4 NH	4"(102) No Hub	<input type="checkbox"/>

Options		
Suffix	Description	
-SO	Side Outlet	<input type="checkbox"/>
-VP	Vandal Proof Screws	<input type="checkbox"/>



**RD28**

### NOTICE

The information contained herein is not intended to replace the full product installation and safety information available or the experience of a trained product installer. You are required to thoroughly read all installation instructions and product safety information before beginning the installation of this product.

Watts product specifications in U.S. customary units and metric are approximate and are provided for reference only. For precise measurements, please contact Watts Technical Service. Watts reserves the right to change or modify product design, construction, specifications, or materials without prior notice and without incurring any obligation to make such changes and modifications on Watts products previously or subsequently sold.

