

Rainwater Harvesting - Storage Tank

Job Name _____

Contractor _____

Job Location _____

Approval _____

Engineer _____

Contractor's P.O. No. _____

Approval _____

Representative _____

RWT-PEAG

Above Ground High Density Polyethylene Tanks

300 – 10,500 Gallon Capacity

High density polyethylene tanks are engineered for above ground water storage for commercial rainwater harvesting applications. Tanks are manufactured in single piece construction and are available in either black or green colors.

Advantages:

- Corrosion resistant high density polyethylene construction
- UV stabilized for long-term outdoor service
- Black or green colors limit sunlight penetration and inhibits algae growth

Features

- Molded platform with either 18 IN or 24 IN access lid
- 2 IN bulkhead drain fitting and 1-1/2 IN included as standard
- Molded-in graduation markings (gallons)
- Integral tie-down lugs for positive anchoring



RWT-PEAG

NOTICE

The information contained herein is not intended to replace the full product installation and safety information available or the experience of a trained product installer. You are required to thoroughly read all installation instructions and product safety information before beginning the installation of this product.

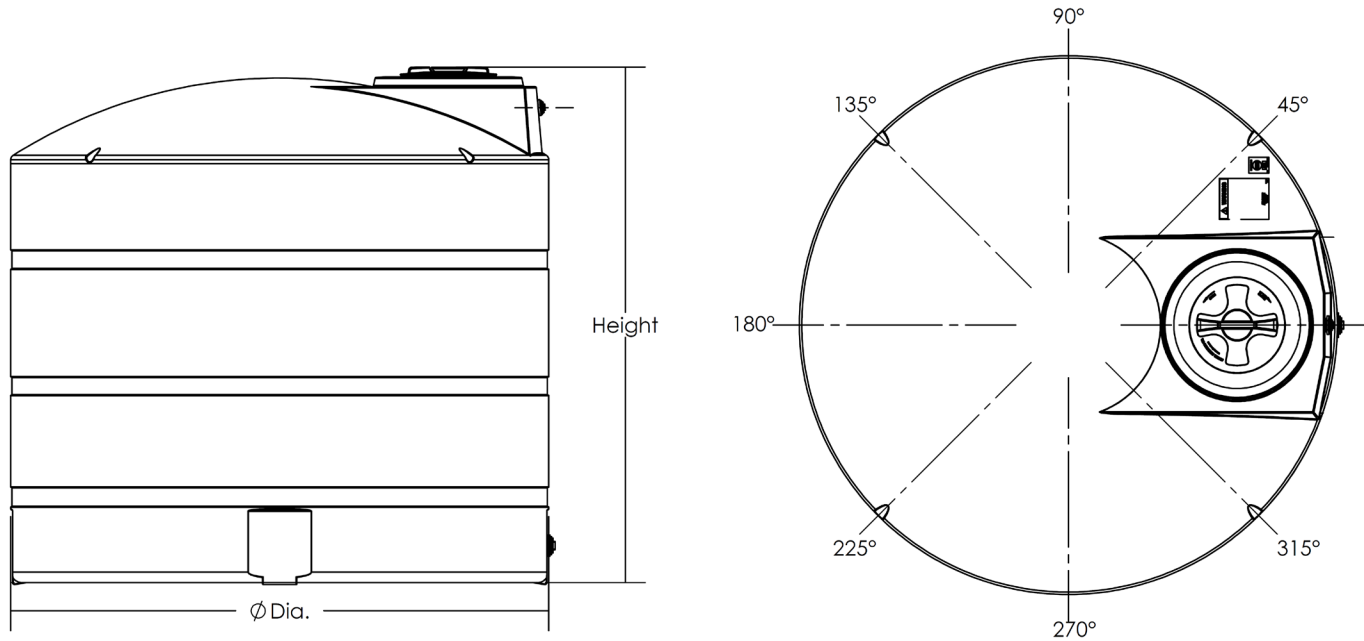
WARNING

Rainwater supplied by Watts rainwater harvesting systems is not potable water and is not intended for potable water applications. Do Not Drink Water supplied from Watts rainwater systems and related equipment. Users shall determine the suitability of the product for the intended application before using.

Watts product specifications in U.S. customary units and metric are approximate and are provided for reference only. For precise measurements, please contact Watts Technical Service. Watts reserves the right to change or modify product design, construction, specifications, or materials without prior notice and without incurring any obligation to make such changes and modifications on Watts products previously or subsequently sold.



Tank Layout



Available Models

Model	Color	Capacity	Diameter (IN)	Height (IN)	Access Lid (IN)	FOB Point
RWT-PEAG300B	Black	300 Vertical	35	80.5	18	M
RWT-PEAG300G	Green	300 Vertical	35	80.5	18	M
RWT-PEAG550NVB	Black	550 Narrow Vertical	48	77	18	C
RWT-PEAG550NVG	Green	550 Narrow Vertical	48	77	18	C
RWT-PEAG550B	Black	550 Vertical	64	46	18	C
RWT-PEAG550G	Green	550 Vertical	64	46	18	C
RWT-PEAG550V2B	Black	550 Vertical	64	48	18	M, P
RWT-PEAG550V2G	Green	550 Vertical	64	48	18	M, P
RWT-PEAG710B	Black	710 Vertical	60	68	18	C
RWT-PEAG710G	Green	710 Vertical	60	68	18	C
RWT-PEAG1000B	Black	1,000 Vertical	72	65	18	C
RWT-PEAG1000G	Green	1,000 Vertical	72	65	18	C
RWT-PEAG1025B	Black	1,025 Narrow	60	95.5	18	M
RWT-PEAG1025G	Green	1,025 Narrow	60	95.5	18	M
RWT-PEAG1100B	Black	1,100 Vertical	86	53	18	L, P
RWT-PEAG1100G	Green	1,100 Vertical	86	53	18	L, P
RWT-PEAG1100V2B	Black	1,100 Vertical	86	55	18	M
RWT-PEAG1100V2G	Green	1,100 Vertical	86	55	18	M
RWT-PEAG1100V3B	Black	1,100 Vertical	86	53	18	C
RWT-PEAG1100V3G	Green	1,100 Vertical	86	53	18	C
RWT-PEAG1300B	Black	1,300 Vertical	72	82	18	C
RWT-PEAG1300G	Green	1,300 Vertical	72	82	18	C

Model	Color	Capacity	Diameter (IN)	Height (IN)	Access Lid (IN)	FOB Point
RWT-PEAG1500B	Black	1,500 Vertical	75	70	18	L, P
RWT-PEAG1500G	Green	1,500 Vertical	75	70	18	L, P
RWT-PEAG1500V2B	Black	1,500 Vertical	86	70	18	C
RWT-PEAG1500V2G	Green	1,500 Vertical	86	70	18	C
RWT-PEAG1500V3B	Black	1,500 Vertical	86	71	18	M
RWT-PEAG1500V3G	Green	1,500 Vertical	86	71	18	M
RWT-PEAG2500B	Black	2,500 Vertical	90	106	18	L, P
RWT-PEAG2500G	Green	2,500 Vertical	90	106	18	L, P
RWT-PEAG2500V2B	Black	2,500 Vertical	90	107	18	M
RWT-PEAG2500V2G	Green	2,500 Vertical	90	107	18	M
RWT-PEAG2600B	Black	2,600 Vertical	96	89	24	C
RWT-PEAG2600G	Green	2,600 Vertical	96	89	24	C
RWT-PEAG3000B	Black	3,000 Vertical	102	97.5	18	L
RWT-PEAG3000G	Green	3,000 Vertical	102	97.5	18	L
RWT-PEAG3000V2B	Black	3,000 Vertical	102	98	18	M
RWT-PEAG3000V2G	Green	3,000 Vertical	102	98	18	M
RWT-PEAG3000V3B	Black	3,000 Vertical	102	93	24	C
RWT-PEAG3000V3G	Green	3,000 Vertical	102	93	24	C
RWT-PEAG3000V4B	Black	3,000 Vertical	90	125	18	P
RWT-PEAG3000V4G	Green	3,000 Vertical	90	125	18	P
RWT-PEAG3000V5B	Black	3,000 Vertical	96	112	24	C
RWT-PEAG3000V5G	Green	3,000 Vertical	96	112	24	C
RWT-PEAG4100B	Black	4,100 Vertical	102	124.25	24	C
RWT-PEAG4100G	Green	4,100 Vertical	102	124.25	24	C
RWT-PEAG4700B	Black	4,700 Vertical	102	142.5	18	L
RWT-PEAG4700G	Green	4,700 Vertical	102	142.5	18	L
RWT-PEAG5000B	Black	5,000 Vertical	102	155	18	M
RWT-PEAG5000G	Green	5,000 Vertical	102	155	18	M
RWT-PEAG5000V2B	Black	5,000 Vertical	102	156	18	P
RWT-PEAG5000V2G	Green	5,000 Vertical	102	156	18	P
RWT-PEAG5000V3B	Black	5,000 Vertical	102	159	24	C
RWT-PEAG5000V3G	Green	5,000 Vertical	102	159	24	C
RWT-PEAG5000V4B	Black	5,000 Vertical	120	121	24	C
RWT-PEAG5000V4G	Green	5,000 Vertical	120	121	24	C
RWT-PEAG5000V5B	Black	5,000 Low Vertical	144	91	24	C
RWT-PEAG5000V5G	Green	5,000 Low Vertical	144	91	24	C
RWT-PEAG7750B	Black	7,750 Vertical	144	122	24	C
RWT-PEAG7750G	Green	7,750 Vertical	144	122	24	C
RWT-PEAG10000B	Black	10,000 Vertical	144	161	24	C
RWT-PEAG10000G	Green	10,000 Vertical	144	161	24	C
RWT-PEAG10500B	Black	10,500 Vertical	142	169	18	L, P
RWT-PEAG10500G	Green	10,500 Vertical	142	169	18	L, P



USA: T: (978) 689-6066 • F: (978) 975-8350 • Watts.com
Canada: T: (905) 332-4090 • F: (905) 332-7068 • Watts.ca
Latin America: T: (52) 81-1001-8600 • Watts.com