

Rainwater Harvesting - Pre-Filter

Job Name _____
 Job Location _____
 Engineer _____
 Approval _____

Contractor _____
 Approval _____
 Contractor's P.O. No. _____
 Representative _____

RWF-CDF

Commercial Downspout Pre-Filter

Commercial Downspout Pre-Filters are designed for above ground installation in commercial rainwater harvesting applications. Filters are designed for recovery of up to 100% of flow from rooftops and feature a reduced maintenance design with a mosquito proof stainless steel mesh screen.

Advantages

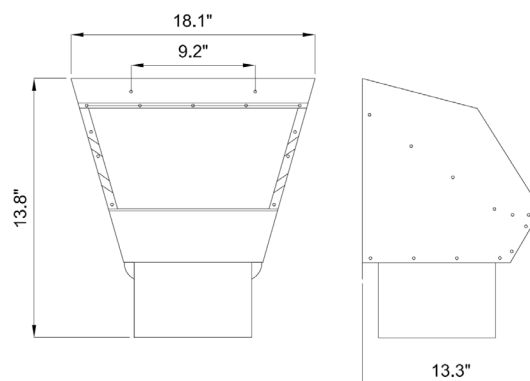
- Quick installation
- Easily serviced
- High flow rate performance for maximum rainwater recovery
- Reduced maintenance design with stainless steel mesh screen

Features

- 8" outlet port
- 0.955mm stainless steel mesh screen
- ZINCALUM® corrosion resistant body



RWF-CDF



Available Models

MODEL	OD TUBING SIZE (INCH)	DIMENSIONS			WEIGHT (LBS.)
		SCREEN OPEN AREA (SQUARE/INCH)			
		W (IN.)	D (IN.)	H (IN.)	
RWF-CDF8	8	18.1	13.3	13.8	6

NOTICE

The information contained herein is not intended to replace the full product installation and safety information available or the experience of a trained product installer. You are required to thoroughly read all installation instructions and product safety information before beginning the installation of this product.

Watts product specifications in U.S. customary units and metric are approximate and are provided for reference only. For precise measurements, please contact Watts Technical Service. Watts reserves the right to change or modify product design, construction, specifications, or materials without prior notice and without incurring any obligation to make such changes and modifications on Watts products previously or subsequently sold.

WARNING

Rainwater supplied by Watts rainwater harvesting systems is not potable water and is not intended for potable water applications. Do Not Drink Water supplied from Watts rainwater systems and related equipment. Users shall determine the suitability of the product for the intended application before using.



USA: T: (800) 659-8400 • F: (800) 659-8402 • Watts.com
 Canada: T: (905) 332-4090 • F: (905) 332-7068 • Watts.ca
 Latin America: T: (52) 81-1001-8600 • F: (52) 81-8000-7091 • Watts.com