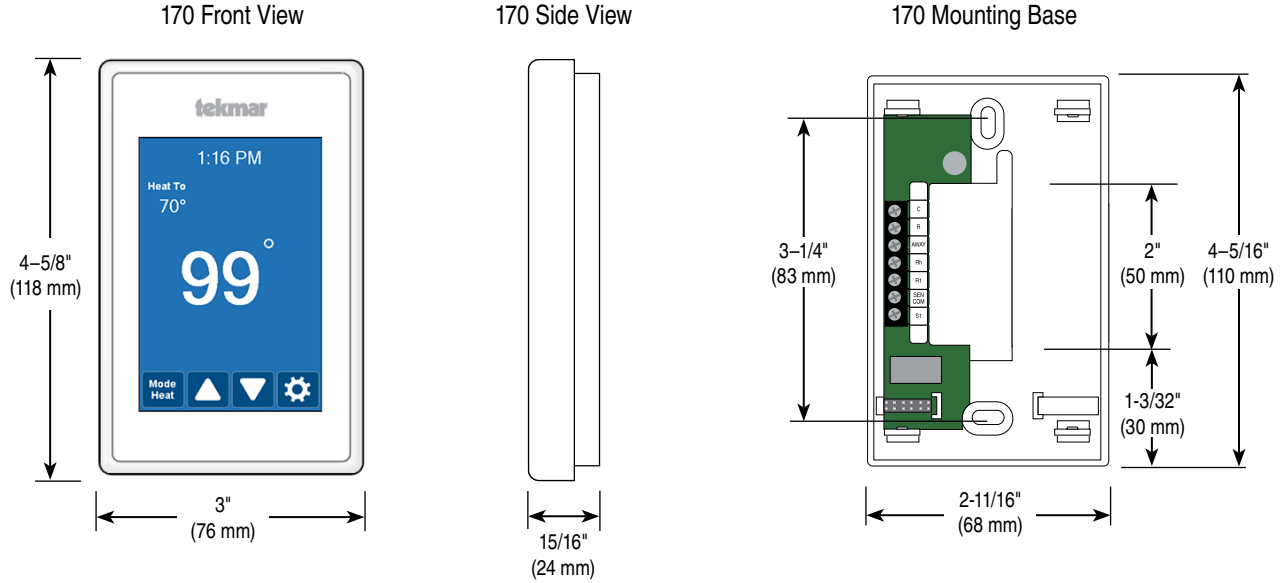


Submittal

Job _____ Designer _____ Contact _____

Wi-Fi Setpoint Control 170

The Wi-Fi Setpoint Control 170 provides precise temperature control of a one-stage heating or cooling system. When connected to the Internet, the Watts® Home mobile app allows the setpoint control to be controlled remotely. An Away mode is quickly and easily accessed to provide energy savings when the heating or cooling system is unoccupied. The setpoint control can be used to control the heat for an indirect domestic hot water tank, a pool, a hot tub, or small outdoor patio, as well as provide cooling for a wine cellar.



Features

- Mobile app for iOS and Android
- Heating or Cooling applications
- Automatic software updates
- Error and warning notifications
- Time clock updated from Internet
- Away energy savings mode
- English/Français/Español languages
- 3.5" color touchscreen
- Selectable background colors

Specification

Call customer service if you need assistance with technical details.

Wi-Fi Thermostat 170 One Stage Heat / One Stage Cool	
Literature	Submittal, Installation and Operating Manual, Job Record, Watts Home Manual
Control	Microprocessor control. This is not a safety (limit) control
Packaged weight	0.6 lb. (270 g)
Dimensions	4-5/8" H x 3" W x 15/16" D (118 x 76 x 24 mm)
Enclosure	White PVC plastic, NEMA type 1
Approvals	Meets Class B: ICES & FCC Part 15
Ambient conditions	Indoor use only, 32 to 122°F (0 to 50°C), RH ≤90% non-condensing
Power supply	15 to 30 V (ac/dc), 2 VA, Class 2
Relay	30V(ac/dc), 2 A, Class 2 circuits
Sensor	NTC thermistor, 10 kΩ @ 77°F (25°C ±0.2°C) β=3892
-Included	1 of Universal Sensor 071
-Optional	tekmar type # 070, 072, 073, 076, 077, 079, 084, 087
Communications	Wi-Fi 802.11n, 2.4 GHz, WPA2 encryption
Mobile App	Apple iOS 12 or higher, Android 8 or higher
Warranty	Limited 3 Year (See IOM-T-170 for full warranty)

tekmar product specifications in U.S. customary units and metric are approximate and are provided for reference only. For precise measurements, please contact tekmar Technical Service. Watts reserves the right to change or modify product design, construction, specifications, or materials without prior notice and without incurring any obligation to make such changes and modifications on tekmar products previously or subsequently sold.

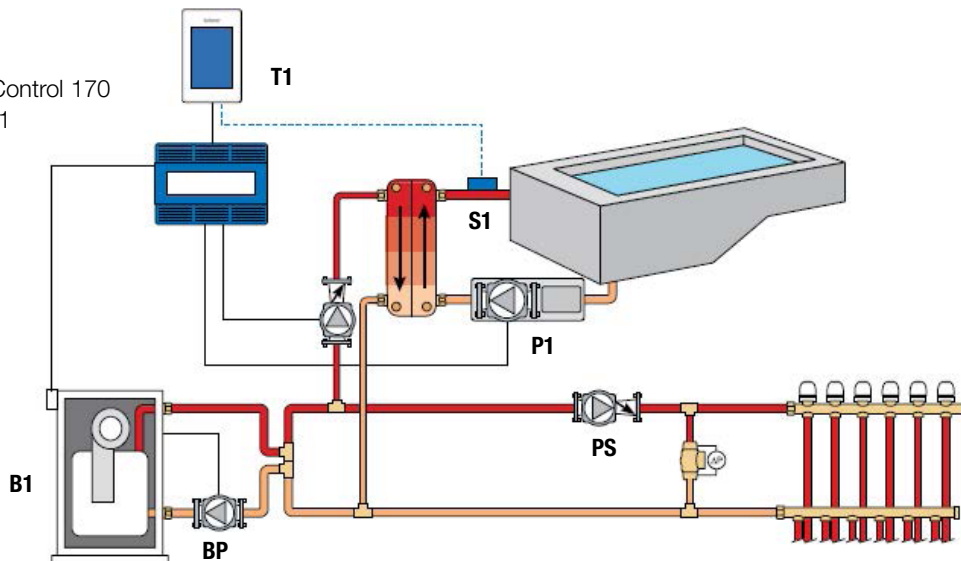


Sample Application Drawing

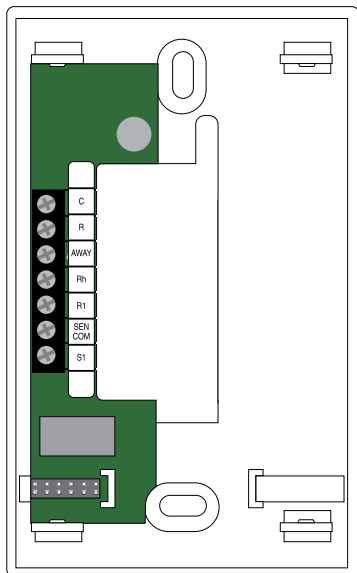
Sample Mechanical diagram

LEGEND

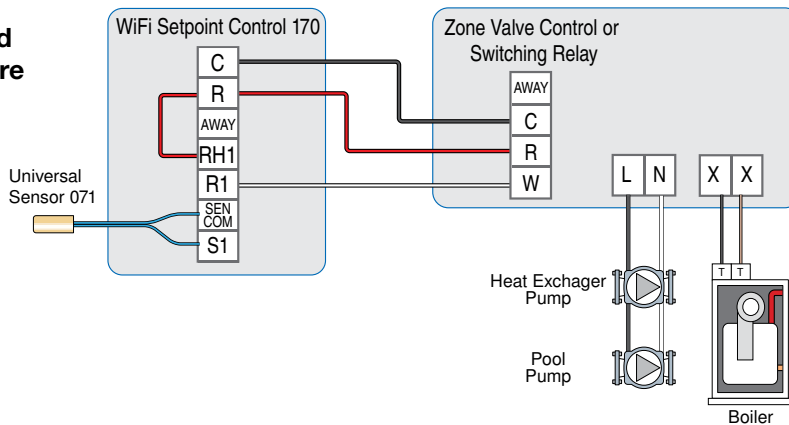
- B1 = Boiler
- BP = Boiler Pump
- PS = System Pump
- T1 = Wi-Fi Setpoint Control 170
- S1 = Pool Sensor 071
- P1 = Pool Pump



Sample Electrical Diagram



Install field jumper wire R to RH1



NOTICE

The information contained herein is not intended to replace the full product installation and safety information available or the experience of a trained product installer. You are required to thoroughly read all installation instructions and product safety information before beginning the installation of this product.



A WATTS Brand

Tel: 1-800-438-3903 • F: (250) 984-0815
tekmarControls.com

