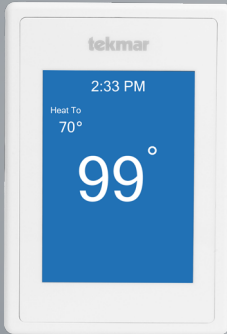


# Installation, Operation and Maintenance

## Wi-Fi Setpoint Control 170



Works with the  
Watts® Home Mobile App



### Compatible With

- 1-stage heating or 1-stage cooling

#### **WARNING**



Please read carefully before proceeding with installation. Your failure to follow any attached instructions or operating parameters may lead to the product's failure.  
Keep this Manual for future reference.

**tekmar**<sup>®</sup>  
A **WATTS** Brand

# Table of Contents

|   |    |
|---|----|
| Important Safety Information .....                  | 3  |
| Installation .....                                  | 4  |
| Preparation .....                                   | 4  |
| Removing The Setpoint Control Base .....            | 5  |
| Mounting The Setpoint Control .....                 | 5  |
| Application 170-1 .....                             | 6  |
| Application 170-2 .....                             | 7  |
| Application 170-3 .....                             | 8  |
| Application 170-4 .....                             | 9  |
| Sequence of Operation .....                         | 10 |
| Heating Operation .....                             | 10 |
| Cooling Operation .....                             | 10 |
| User Interface .....                                | 11 |
| User Settings .....                                 | 12 |
| Away .....  | 12 |
| Display .....                                       | 13 |
| Time .....  | 14 |
| Wi-Fi .....   | 15 |
| Wi-Fi and Connectivity Troubleshooting .....        | 16 |
| Installer Settings .....                            | 17 |
| Setup .....   | 17 |
| Setup - Toolbox .....                               | 17 |
| Setup - Temp .....                                  | 18 |
| Setup - Alerts .....                                | 19 |
| Setup - Relays .....                                | 19 |
| Error Messages .....                                | 20 |
| Technical Data .....                                | 21 |
| Limited Warranty and Product Return Procedure ..... | 24 |

# Important Safety Information

It is your responsibility to ensure that this thermostat is safely installed according to all applicable codes and standards. tekmar® is not responsible for damages resulting from improper installation and/or maintenance.



This is a safety-alert symbol. The safety alert symbol is shown alone or used with a signal word (DANGER, WARNING, or CAUTION), a pictorial and/or a safety message to identify hazards.

When you see this symbol alone or with a signal word on your equipment or in this Manual, be alert to the potential for death or serious personal injury.



This pictorial alerts you to electricity, electrocution, and shock hazards.

## **▲ WARNING**

This symbol identifies hazards which, if not avoided, could result in death or serious injury.

## **▲ CAUTION**

This symbol identifies hazards which, if not avoided, could result in minor or moderate injury.

## **NOTICE**

This symbol identifies practices, actions, or failure to act which could result in property damage or damage to the equipment.

## **▲ WARNING**



Read Manual and all product labels BEFORE using the equipment. Do not use unless you know the safe and proper operation of this equipment. Keep this Manual available for easy access by all users. Replacement Manuals are available at [tekmarControls.com](http://tekmarControls.com)

## **▲ WARNING**

- It is the installer's responsibility to ensure that this thermostat is safely installed according to all applicable codes and standards.
- Improper installation and operation of this thermostat could result in damage to the equipment and possibly even personal injury or death.
- This thermostat is not intended for use as a primary limit control. Other controls that are intended and certified as safety limits must be placed into the control circuit.

## **NOTICE**

Do not attempt to service the thermostat. There are no user serviceable parts inside the thermostat. Attempting to do so voids warranty.

# Installation

## Preparation

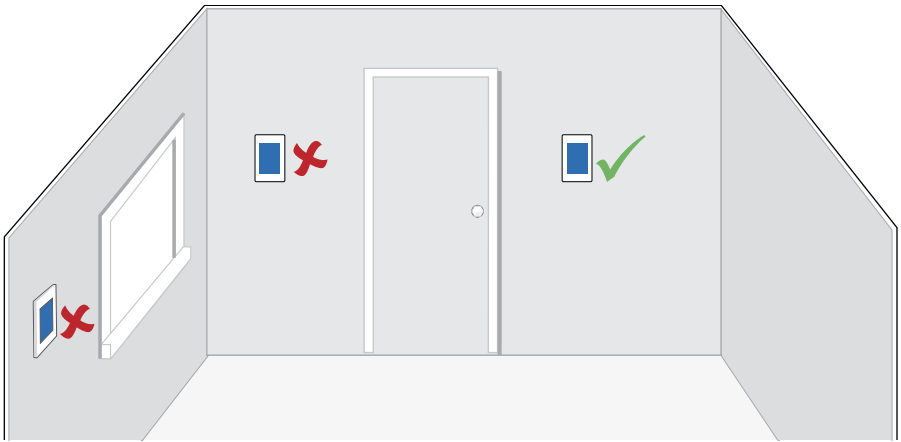
### Tools Required

- tekmar or jeweler screwdriver
- Wire stripper
- Phillips head screwdriver
- Drill (for wall anchor)
- 3/16" drill bit (for wall anchor)

## Installation Location

### Materials Required

- 18 AWG LVT Solid Wire (Low Voltage Connections)

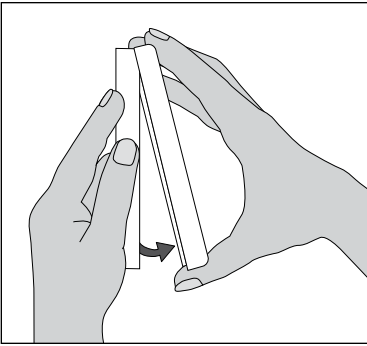


### **NOTICE**

Consider the following:

- Interior Wall.
- Keep dry. Avoid potential leakage onto the control.
- Relative Humidity less than 90%. Non-condensing environment.
- No exposure to extreme temperatures beyond 32-122°F (0-50°C).
- No draft, direct sun, or other cause for inaccurate temperature readings.
- Away from equipment, appliances, or other sources of electrical interference.
- Easy access for wiring, viewing, and adjusting the display screen.
- Approximately 5 feet (1.5 m) off the finished floor.
- The maximum length of wire is 500 feet (150 m).
- Strip wire to 3/8" (10 mm) for all terminal connections.
- Use standard 8 conductor, 18 AWG wire.

# Removing the Thermostat Base



While holding the base section in one hand, pull the lower half of the display front towards you to pivot it away from the base.

# Mounting the Thermostat

## ⚠ WARNING

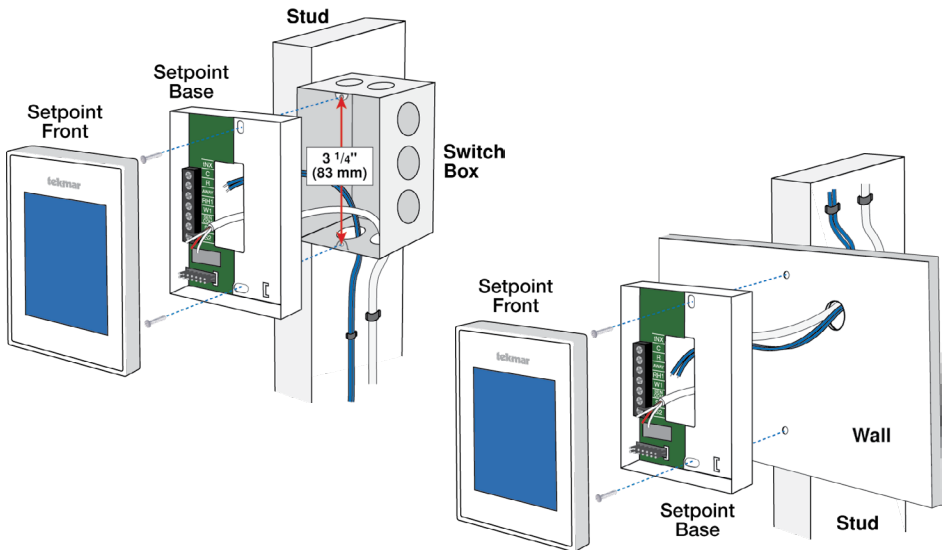


To prevent the risk of personal injury and/or death, make sure power is not applied to the thermostat until it is fully installed and ready for final testing. All work must be done with power to the circuit being worked on turned off.

Please be aware local codes may require this thermostat to be installed or connected by an electrician.

## NOTICE

Avoid mounting the control on metal cover plates or metal surfaces as this may interfere with Wi-Fi signal reception.



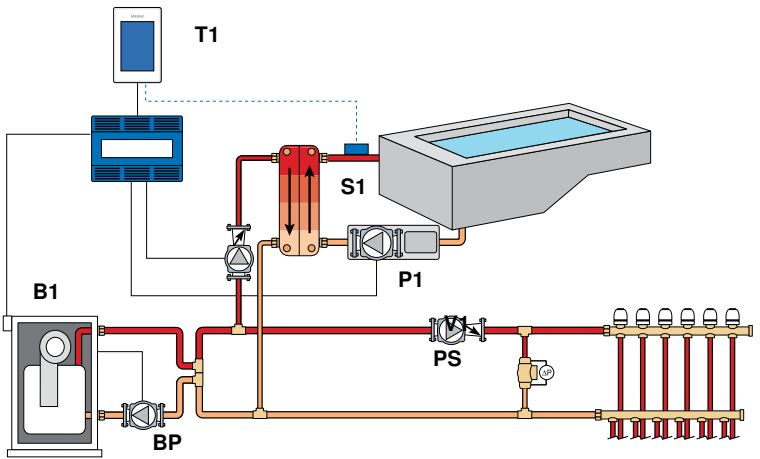
# Application 170-1

The Wi-Fi Setpoint Control 170 heats a pool at a heating setpoint using pulse width modulation. A Zone Control provides 24 V (ac) power to the Setpoint Control and provides 120 V (ac) power to the heat exchanger and hot tub circulators.

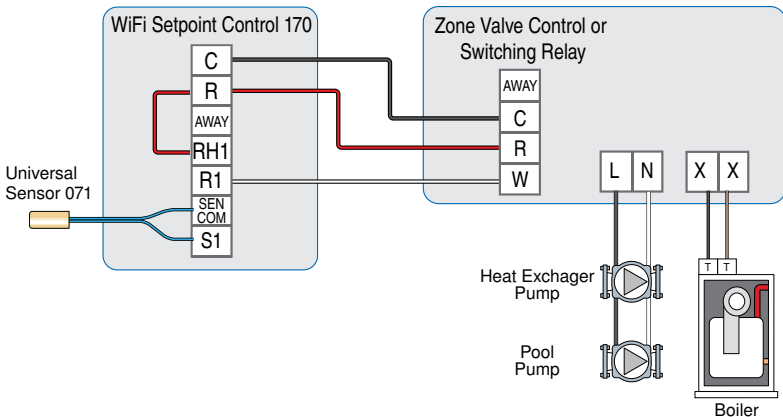
## Mechanical

### Legend

- B1 = Boiler
- BP = Boiler Pump
- PS = System Pump
- T1 = Wi-Fi Setpoint Control 170
- S1 = Pool Sensor 071
- P1 = Pool Pump



## Electrical



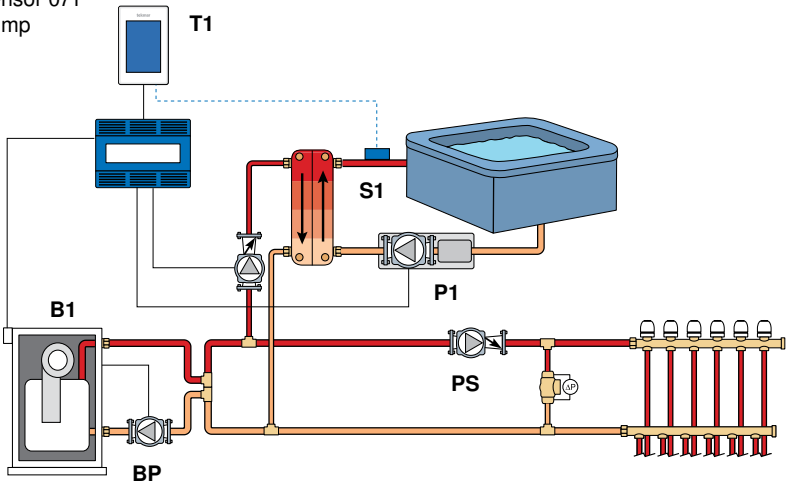
# Application 170-2

The Wi-Fi Setpoint control 170 heats a hot tub at a heating setpoint using an on/off differential. A Zone Control provides 24 V (ac) power to the Setpoint Control and provides 120 V (ac) power to the heat exchanger and hot tub circulators.

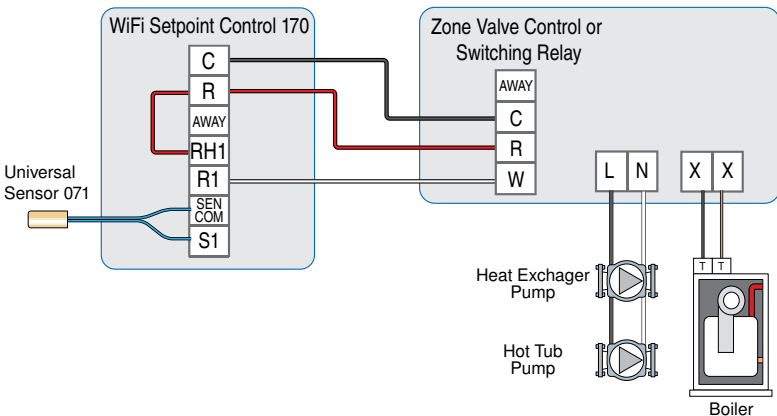
## Mechanical

### Legend

- B1 = Boiler
- BP = Boiler Pump
- PS = System Pump
- T1 = Wi-Fi Setpoint Control 170
- S1 = Hot Tub Sensor 071
- P1 = Hot Tub Pump



## Electrical



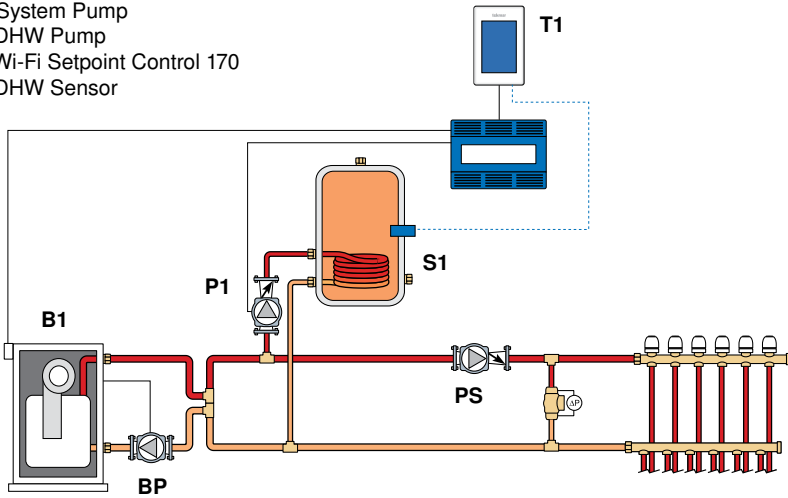
# Application 170-3

The Wi-Fi Setpoint Control 170 heats an indirect domestic hot water tank from a hydronic heating system at a heating setpoint using an on/off differential. A Zone Control provides 24 V (ac) power to the Setpoint Control and provides 120 V (ac) power to the DHW tank circulator.

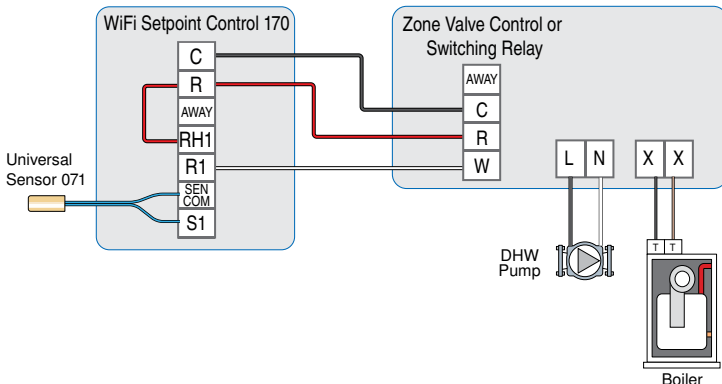
## Mechanical

### Legend

- B1 = Boiler
- BP = Boiler Pump
- PS = System Pump
- P1 = DHW Pump
- T1 = Wi-Fi Setpoint Control 170
- S1 = DHW Sensor



## Electrical





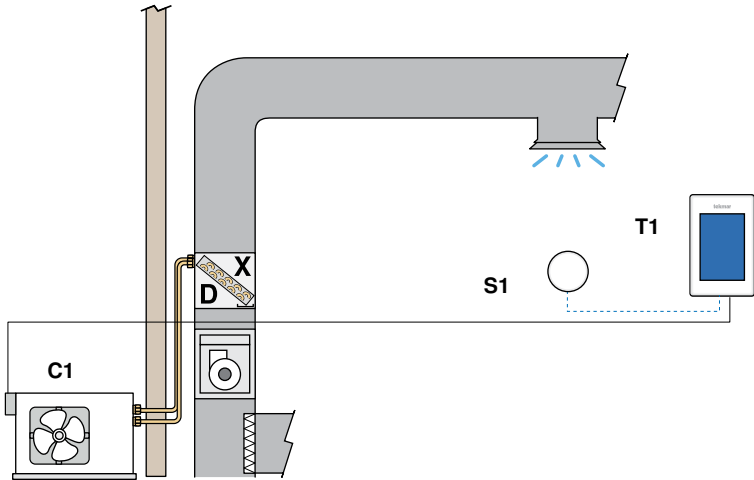
# Application 170-4

The Wi-Fi Setpoint Control 170 operates an air conditioning system to provide cooling to a wine cellar room. The 170 is connected to an Indoor Sensor to measure the room ambient temperature. The cooling system operates at a cooling setpoint and an on/off differential.

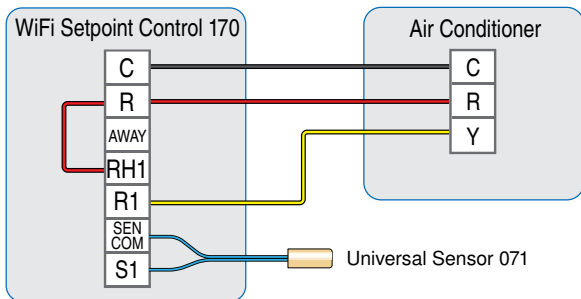
## Mechanical

### Legend

- C1 = Air Conditioner
- T1 = Wi-Fi Setpoint Control 170
- S1 = Indoor Sensor 084



## Electrical



# Sequence of Operation

## Heating Operation

The heating setpoint can be set from -40 to 230 °F (-40.0 to 110.0 °C). The Heat On symbol is shown on the display when the setpoint control is heating. Heating for freeze protection is provided whenever the sensor temperature falls below 38 °F (21 °C) and turns off at 40 °F (22 °C), when enabled.

### On/Off Heating Operation

On/off heating can be set using the Differential Type found in the Relays menu. The relay will close when the sensor temperature is less than the Heat To setpoint and both the On/Off Differential setting and Time Delay have expired. The relay will open when the sensor temperature is greater than or equal to the Heat To setpoint setting. To prevent any short cycling of equipment there is a minimum 30 second on and off time.

### Pulse Width Modulation (PWM) Heating Operation

PWM heating can be set using the Differential Type found in the Relays menu. The relay will modulate around the Heat To setpoint bounded by the throttling range determined by Differential value. When the sensor temperature is within the throttling range (Heat To setpoint + Differential Value to Heat To setpoint minus Differential value), the relay cycles from 0% to 100% of the cycle length.

- 100% on time at Heat To setting - Differential Value
- 50% on time at Heat To setting
- 0% on time at Heat To setting + Differential Value

### Cooling Operation main header

The cooling setpoint can be set from -40 to 230 °F (-40.0 to 110.0 °C). The Cool On symbol is shown on the display when the setpoint control is cooling.

### On/Off Cooling Operation

On/Off cooling can be set using the Differential Type found in the Relays menu. The relay will close when the sensor temperature is greater than the Cool To setpoint plus the On/Off Differential setting, and the Time Delay has expired. The relay will open when the sensor temperature is less than or equal to the Cool To setpoint setting. To prevent any short cycling of equipment there is a minimum 30 second on time with the off time determined by the Time Delay Value.

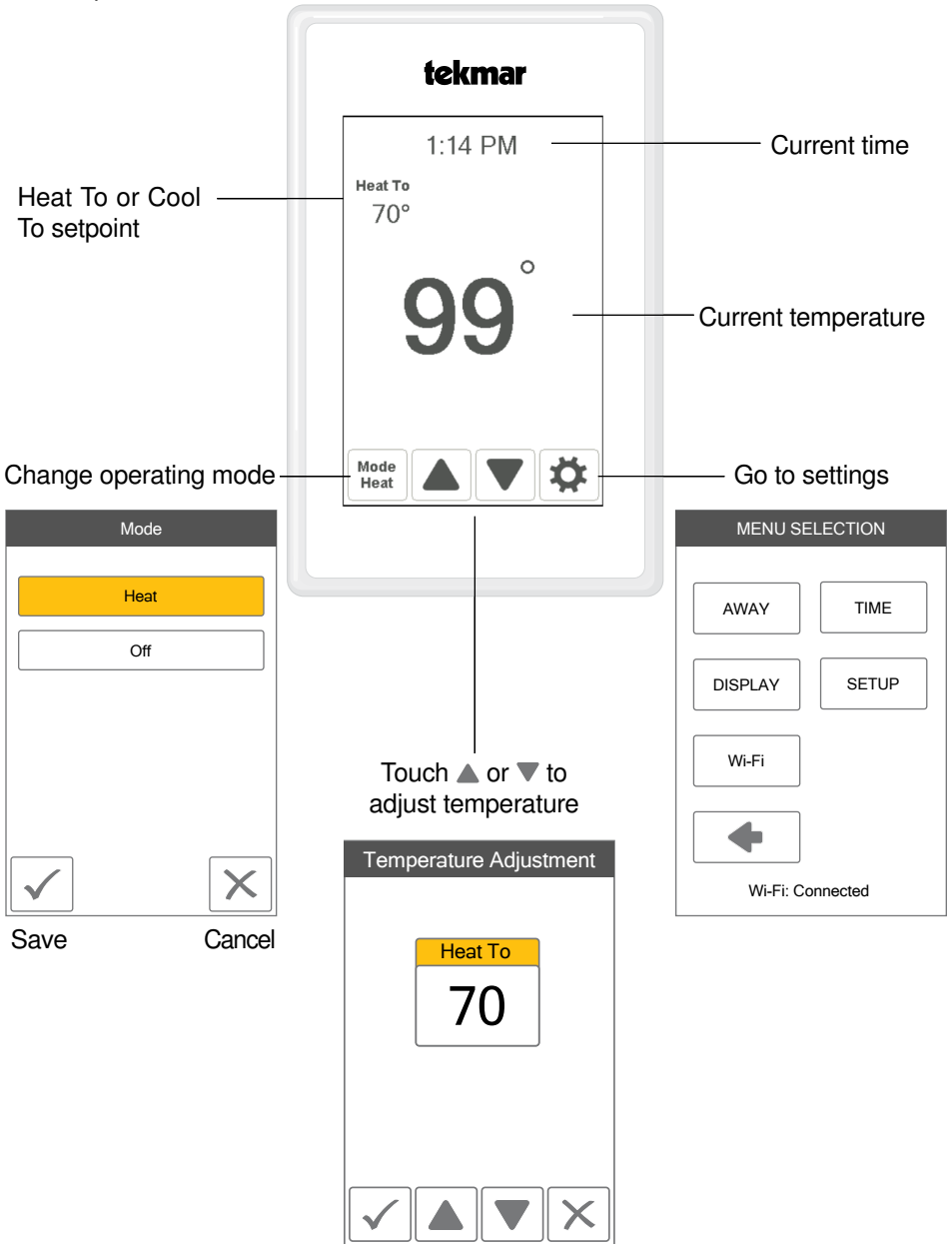
### Pulse Width Modulation (PWM) Cooling Operation

PWM cooling can be set using the Differential Type found in the Relays menu. The relay will modulate around the Cool To setpoint bounded by the throttling ranged determined by Differential value. When the sensor temperature is within the throttling range (Cool To setpoint minus Differential Value to Cool To setpoint plus Differential Value), the relay cycles from 0% to 100% of the cycle length.

- 100% on time at Cool To setting + Differential Value
- 50% on time at Cool To setting
- 0% on time at Cool To setting - Differential Value.

# User Interface

After 60 seconds of inactivity, the thermostat home screen displays only the time and the temperature.



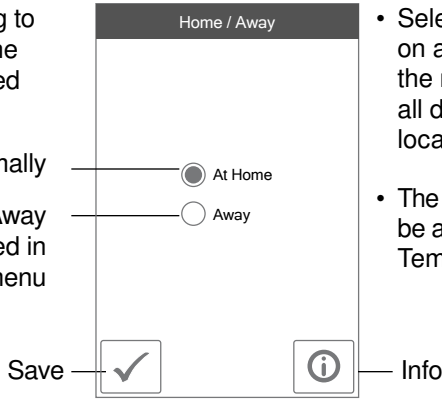
# User Settings

## Away

Use the Away setting to save energy when the building is unoccupied

Operates normally

Operates using the Away temperature selected in the Setup menu



- Selecting the Away setting on a setpoint control or the mobile app will affect all devices linked to that location through the app.

- The Away temperature can be adjusted in the Setup / Temps menu.

# Display

| Setting   | Range   | Default |
|---|---|---------|
| <b>TEMPERATURE UNITS</b><br>Select °F or °C.                                | °F or °C  | °F      |
| <b>BRIGHTNESS ACTIVE</b><br>Select the brightness when touching the screen. | 30 to 100%                                      | 100%    |
| <b>BRIGHTNESS INACTIVE</b><br>Select the brightness when not in use.        | Off, 30 to 100%                                 | 50%     |
| <b>BACKGROUND</b><br>Select the background color.                           | Light,<br>Blue,<br>Night,<br>Latte,<br>Espresso | Blue    |
| <b>LANGUAGE</b><br>Select the language.                                     | English,<br>Español,<br>Français                | English |
| <b>SCREEN CLEAN</b><br>Locks screen for 10 seconds to allow cleaning.       | N/A   | Off     |

# Time

TIME & DATE

Aug    25    2016

1    30    PM

▲ ▲ ▲

▼ ▼ ▼

✓

OPTIONS

i

When connected to the Internet, the time can be set automatically.

The time and date can be manually set by highlighting a field and then using the ▲ or ▼ buttons.

Choose from the time options listed below.

| Setting  | Range   | Default |
|--|---|---------|
| <b>TIME FORMAT</b><br>Select the time format.  | 12 or 24 hour   | 12 hour |
| <b>TIME SOURCE</b><br>If Internet is available, the time source can be either automatically or manually set. | Automatic, Manual   | Auto    |
| <b>TIME ZONE</b><br>Select the local time zone.  | Hawaii, Alaska, Pacific, Mountain, Central, Eastern, Atlantic, Newfoundland | Eastern |
| <b>DAYLIGHT SAVING TIME</b><br>Select if Daylight Savings Time is observed.                                  | Off, On   | On      |

## NOTICE

Incorrectly setting the time and date manually may prevent the thermostat from communicating to the mobile app. Automatic time source is recommended when using an Internet connection.

# Wi-Fi

## NOTICE

Before using the Wi-Fi features of this product, you must accept the Terms of Use, as amended from time to time and available at [Watts.com/terms-of-use](https://www.watts.com/terms-of-use). If you do not accept these terms, this product can still be used without Wi-Fi features.

The thermostat includes a step by step tutorial to setup the Wi-Fi connection.

**Tutorial**

Before first using Wi-Fi features of this product, you must accept the Terms of Use available at <https://www.watts.com/terms-of-use> by pressing AGREE below.

If you do not accept these terms, this product can still be used without Wi-Fi features.

DISAGREE      AGREE

### Step 1

Agree to Terms of Use

**Wi-Fi**

Off  
 On

NEXT

### Step 2

Turn on Wi-Fi

**NETWORK SSID**

Select a network from the list:

Your House ▼

←      CONNECT

### Step 3

Enter wireless network name.

**Enter Password**

\_\_\_\_\_

|   |   |   |      |     |     |
|---|---|---|------|-----|-----|
| A | B | C | D    | E   | F   |
| G | H | I | J    | K   | L   |
| M | N | O | P    | Q   | R   |
| S | T | U | V    | W   | X   |
| Y | Z |   | Shft | A/1 | Del |

←      CONNECT

### Step 4

Enter Wi-Fi password.

**ZIP/Postal**

\_\_\_\_\_

|   |   |   |      |     |     |
|---|---|---|------|-----|-----|
| 1 | 2 | 3 | 4    | 5   | 6   |
| 7 | 8 | 9 | 0    | -   | /   |
| : | ; | ( | )    | \$  | &   |
| @ | " | . | ,    | ?   | !   |
| ' | \ |   | Shft | A/1 | Del |

OK

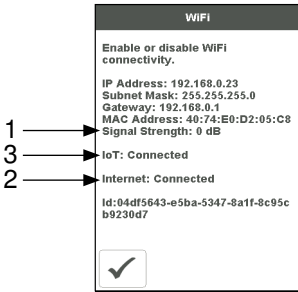
### Step 5

Enter ZIP or postal code. This determines your location for weather information.

# Wi-Fi and Connectivity Troubleshooting

## Wi-Fi Connection Status

Press **⚙️** > Wi-Fi > Wi-Fi:On > ⓘ to view the setpoint control connection status.



### (1) Wi-Fi Signal Strength

- The Wi-Fi signal must measure between 0 and -69 dB to have a reliable connection to the Watts® cloud.
- A Wi-Fi extender is recommended to be installed if the Wi-Fi signal is between -70 to -100 dB.

### (2) Internet Connected

- The Wi-Fi information screen will show Internet Connected when the setpoint control is connected to the router and there is a connection to the Internet.

### (3) IoT Connected

- The setpoint control connection status will show IoT Connected when connected to the Watts Cloud and the setpoint control is ready to be registered to the app.

If IoT is not connected, please follow these steps:

## Check Password

- Double check that you are using the correct Wi-Fi network and password.
- The password is limited to 32 characters, and can include upper and lower case letters, numbers, special characters and spaces. A space counts as a character.
- The setpoint control supports WPA2-Personal password security.

## Power Off and On

- Power the thermostat off. Next, power the router off, wait 10 seconds, then power

on and wait for the Internet status to be on. Then power the setpoint control on.

## Check Router & Firewall

Consult the router manual or Internet Service Provider (ISP) for assistance with router setup with these configurations:

- The router must provide a 2.4 GHz signal. The thermostat is not compatible with 5 GHz networks.
- The router is using WPA2-Personal security.
- The router has DHCP enabled with enough available addresses for all Internet devices.
- The router firewall is not blocking the outbound UDP or TCP ports: 53, 123, 443, 8883.
- The router firewall is not blocking connections to \*.azure-devices.net
- The router firewall is not blocking the thermostat based upon a MAC filter list.

## Create a Wi-Fi Hotspot

- If you are unable to connect to the Wi-Fi network, try creating a Wi-Fi Hotspot on your mobile device to bypass the router.
- Apple\* iOS Wi-Fi hotspot instructions <https://support.apple.com/en-us/HT204023>
- Android\*\* Wi-Fi hotspot instructions <https://support.google.com/android/answer/9059108>
- If the setpoint control displays IoT connected when using the Wi-Fi Hotspot, please contact your Internet Service Provider (ISP) or IT professional for assistance with the router.

\* Apple and App Store are trademarks of Apple Inc.

\*\* Google, Android and Google Play are trademarks of Google LLC.



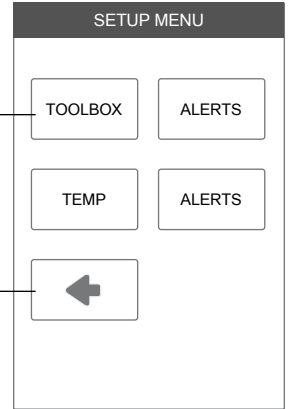
# Installer Settings

## Setup

The Setup menu contains four sub-menus that determine how the setpoint control operates.

The Access Level setting in the Toolbox menu determines how many settings are available to the user.

Press back to return to the main Settings menu.



## Setup - Toolbox

| Setting   | Range              | Default   |
|---|--------------------|-----------|
| <b>ERROR</b><br>Displays any error messages.  | N/A                | N/A       |
| <b>ACCESS LEVEL</b><br>Select between user and installer access levels. User access level restricts access in the Setup Menu. | User,<br>Installer | Installer |
| <b>STATUS</b><br>The current status of the relay.   | N/A                | N/A       |
| <b>SOFTWARE VERSION</b><br>Display the software version.  | J1313-1.0.5        | N/A       |
| <b>LOAD DEFAULTS</b><br>All settings are returned to factory defaults.  | Yes,<br>No         | No        |
| <b>CALIBRATE TOUCHSCREEN</b><br>Recalibrate the screen after loading factory defaults.  | N/A                | N/A       |

## Setup - Temp

| Setting   | Range                                  | Default |
|---|--|---------|
| <b>HEAT TO AWAY</b><br>Select the heating temperature when away.          | Off, -40 to 230°F<br>Off, -40 to 110°C | Off     |
| <b>HEAT TO MIN LIMIT</b><br>Select the minimum heating temperature limit. | Off, -40 to 230°F<br>Off, -40 to 110°C | Off     |
| <b>HEAT TO MAX LIMIT</b><br>Select the maximum heating temperature limit. | Off, -40 to 230°F<br>Off, -40 to 110°C | Off     |
| <b>COOL TO AWAY</b><br>Select the cooling temperature when away.          | Off, -40 to 230°F<br>Off, -40 to 110°C | Off     |
| <b>COOL TO MIN LIMIT</b><br>Select the minimum cooling temperature limit. | Off, -40 to 230°F<br>Off, -40 to 110°C | Off     |
| <b>COOL TO MAX LIMIT</b><br>Select the maximum cooling temperature limit. | Off, -40 to 230°F<br>Off, -40 to 110°C | Off     |

## Setup - Alerts

| Setting   | Range                                  | Default |
|---|--|---------|
| <b>SETPOINT HOT WARNING</b><br>Sends an email notification if the setpoint exceeds this temperature.      | Off, -67 to 257°F<br>Off, -55 to 125°C | Off     |
| <b>SETPOINT COLD WARNING</b><br>Sends an email notification if the setpoint falls below this temperature. | Off, -67 to 257°F<br>Off, -55 to 125°C | Off     |

## Setup - Relays

| Setting   | Range                      | Default                      |
|---|----------------------------|------------------------------|
| <b>MODE OF OPERATION</b>  | Heat,Cool                  | Heat                         |
| <b>DIFFERENTIAL TYPE</b>  | On/Off, PWM                | On/Off                       |
| <b>DIFFERENTIAL</b>   | 1 to 18°F<br>(0.5 to 10°C) | 2°F<br>(When in on/off)      |
| <b>TIME DELAY</b>   | 0:30 to<br>30:00 Min       | 1:00 Min<br>(When in on/off) |
| <b>DIFFERENTIAL</b><br>Select if the first stage W1 heats a radiant floor.  | 3 to 18°F<br>(1.5 to 10°C) | 3°F<br>(When in PWM)         |
| <b>CYCLE LENGTH</b><br>Select if the first stage W1 heats a radiant floor.  | 1:00 to<br>30:00 Min       | 15:00 Min<br>(When in PWM)   |
| <b>FREEZE PROTECTION</b><br>Select if freeze protection operates the heating system when temperatures are below 40°F (4.5°C). | Off, On                    | On                           |

# Error Messages

When an error occurs an email notification will be sent to the registered Watts Home mobile app account owner.

| Description  |
|--|
| <p><b>INTERNET UNAVAILABLE</b></p> <p>The setpoint control has a Wi-Fi connection to the router but is unable to communicate to the Internet. Steps to clear the error include: 1) power off and on the router, 2) power off and on the setpoint control.</p>  |
| <p><b>MEMORY ERROR</b></p> <p>The setpoint control memory settings are corrupted. To clear, load the factory defaults in the Toolbox menu. The setpoint control will not operate any heating or cooling equipment while this error message is present.</p>   |
| <p><b>SENSOR FAULT</b></p> <p>Due to an open or short circuit, the setpoint control is unable to read the sensor wired to S1 and Com Sen. The setpoint control will not operate any heating or cooling equipment while this error message is present.</p> <p>Check the auxiliary sensor wire for short circuits according to the sensor installation manual. It may be necessary to replace the auxiliary sensor. Once the error has been corrected, the error message automatically clears.</p> |
| <p><b>SETPOINT HOT WARNING</b></p> <p>The setpoint temperature is above the Setpoint Hot Warning setting in the Alerts menu. The warning will automatically clear once the setpoint temperature falls below the setting.</p>   |
| <p><b>SETPOINT COLD WARNING</b></p> <p>The setpoint temperature is below the Setpoint Cold Warning setting in the Alerts menu. The warning will automatically clear once the setpoint temperature rises above the setting.</p>   |

# Technical Data

| <b>Wi-Fi Setpoint Control 170</b> <i>One Stage Heat / One Stage Cool</i> |   |
|--|---|
| Literature   | Submittal, Installation and Operating Manual, Job Record, Watts Home Manual |
| Control  | Microprocessor control. This is not a safety (limit) control.               |
| Packaged weight  | 0.6 lb. (270 g)   |
| Dimensions   | 4-5/8" H x 3" W x 15/16" D (118 x 76 x 24 mm)                               |
| Enclosure  | White PVC plastic, NEMA Type 1  |
| Approvals  | Meets Class B: ICES & FCC Part 15   |
| Ambient conditions   | Indoor use only, 32 to 122°F (0 to 50°C), RH ≤90% non-condensing            |
| Power supply   | 15 to 30 V (ac/dc), 2 VA standby, Class 2                                   |
| Relays   | 30 V (ac/dc), 2 A, Class 2 circuits   |
| Sensor   | NTC thermistor, 10 kΩ @ 77°F (25°C ±0.2°C) β=3892                           |
| – Included   | 1 of Universal Sensor 071   |
| – Optional   | tekmar type # 070, 072, 073, 076, 077, 079, 084, 087                        |
| Communications   | Wi-Fi 802.11n, 2.4 GHz, WPA2 encryption                                     |
| Mobile app   | Apple iOS 12 or higher, Android 10 or higher                                |





# Warranty

**Limited Warranty** *The liability of tekmar under this warranty is limited. The Purchaser, by taking receipt of any tekmar product ("Product"), acknowledges the terms of the Limited Warranty in effect at the time of such Product sale and acknowledges that it has read and understands same.*

The tekmar Limited Warranty to the Purchaser on the Products sold hereunder is a manufacturer's pass-through warranty which the Purchaser is authorized to pass through to its customers. Under the Limited Warranty, each tekmar Product is warranted against defects in workmanship and materials if the Product is installed and used in compliance with tekmar's instructions, ordinary wear and tear excepted. The pass-through warranty period is for a period of twenty-four (24) months from the production date if the Product is not installed during that period, or twelve (12) months from the documented date of installation if installed within twenty-four (24) months from the production date.

The liability of tekmar under the Limited Warranty shall be limited to, at tekmar's sole discretion: the cost of parts and labor provided by tekmar to repair defects in materials and / or workmanship of the defective product; or to the exchange of the defective product for a warranty replacement product; or to the granting of credit limited to the original cost of the defective product, and such repair, exchange or credit shall be the sole remedy available from tekmar, and, without limiting the foregoing in any way, tekmar is not responsible, in contract, tort or strict product liability, for any other losses, costs, expenses, inconveniences, or damages, whether direct, indirect, special, secondary, incidental or consequential, arising from ownership or use of the product, or from defects in workmanship or materials, including any liability for fundamental breach of contract.

The pass-through Limited Warranty applies only to those defective Products returned to tekmar during the warranty period. This Limited Warranty does not cover the cost of the parts or labor to remove or transport the defective Product, or to reinstall the repaired or replacement Product, all such costs and expenses being subject to Purchaser's agreement and warranty with its customers.

Any representations or warranties about the Products made by Purchaser to its customers which are different from or in excess of the tekmar Limited Warranty are the Purchaser's sole responsibility and obligation. Purchaser shall indemnify and hold tekmar harmless from and against any and all claims, liabilities and damages of any kind or nature which arise out of or are related to any such representations or warranties by Purchaser to its customers.

The pass-through Limited Warranty does not apply if the returned Product has been damaged by negligence by persons other than tekmar, accident, fire, Act of God, abuse or misuse; or has been damaged by modifications, alterations or attachments made subsequent to purchase which have not been authorized by tekmar; or if the Product was not installed in compliance with tekmar's instructions and / or the local codes and ordinances; or if due to defective installation of the Product; or if the Product was not used in compliance with tekmar's instructions.

THIS WARRANTY IS IN LIEU OF ALL OTHER WARRANTIES, EXPRESS OR IMPLIED, WHICH THE GOVERNING LAW ALLOWS PARTIES TO CONTRACTUALLY EXCLUDE, INCLUDING, WITHOUT LIMITATION, IMPLIED WARRANTIES OF MERCHANTABILITY AND FITNESS FOR A PARTICULAR PURPOSE, DURABILITY OR DESCRIPTION OF THE PRODUCT, ITS NON-INFRINGEMENT OF ANY RELEVANT PATENTS OR TRADEMARKS, AND ITS COMPLIANCE WITH OR NON-VIOLATION OF ANY APPLICABLE ENVIRONMENTAL, HEALTH OR SAFETY LEGISLATION; THE TERM OF ANY OTHER WARRANTY NOT HEREBY CONTRACTUALLY EXCLUDED IS LIMITED SUCH THAT IT SHALL NOT EXTEND BEYOND TWENTY-FOUR (24) MONTHS FROM THE PRODUCTION DATE, TO THE EXTENT THAT SUCH LIMITATION IS ALLOWED BY THE GOVERNING LAW.

**Product Warranty Return Procedure** All Products that are believed to have defects in workmanship or materials must be returned, together with a written description of the defect, to the tekmar Representative assigned to the territory in which such Product is located. If tekmar receives an inquiry from someone other than a tekmar Representative, including an inquiry from Purchaser (if not a tekmar Representative) or Purchaser's customers, regarding a potential warranty claim, tekmar's sole obligation shall be to provide the address and other contact information regarding the appropriate Representative.

**Need help? Go to our website or contact us.**

tekmarControls.com | tekmar.customerservice@wattswater.com | 1-800-438-3903

**tekmar**<sup>®</sup>

A WATTS Brand

Tel: 1-800-438-3903 • Fax: (250) 984-0815  
tekmarControls.com