

Engineering Specification

Job Name _____

Contractor Signature _____

Orion Representative _____

Approval Date _____

Quantity Required _____

Contractor's P.O. No. _____

12" x 12" x 8" Stainless Steel Floor Sink - Less Grate

12" Sq. x 8" Deep Stainless Steel
Sanitary Floor Sink with Integral
FRPP Outlet



Specification

Orion 12" square x 8" deep 14 ga. Type 304 stainless steel sanitary floor sink less grate and no hub outlet. FRPP material conforming to ASTM D4101 or PVDF outlet material conforming to ASTM D3222.

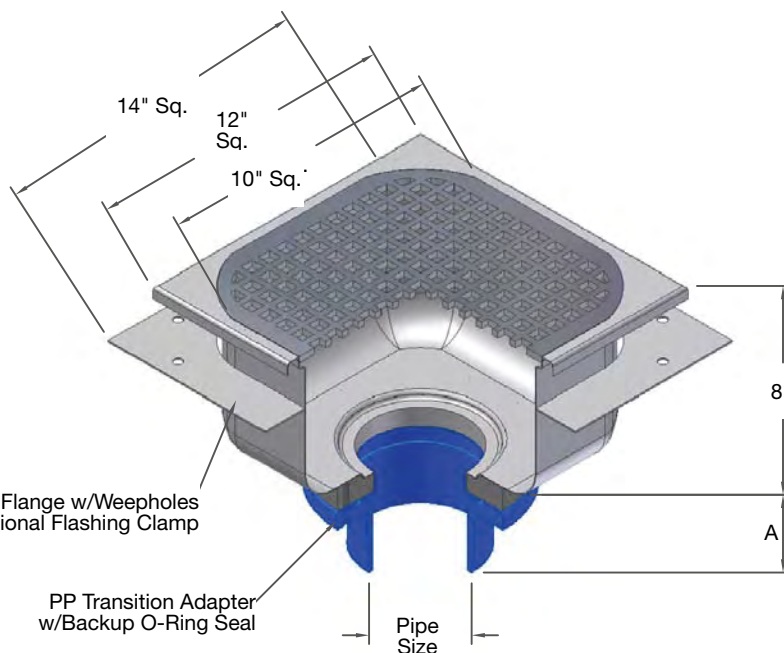
Sizes & Connections

Qty.	FRPP	Qty.	PVDF	Size (in.)	A
<input type="checkbox"/>	710188	<input type="checkbox"/>	902220	2	3.58
<input type="checkbox"/>	710266	<input type="checkbox"/>	723252	3	3.88
<input type="checkbox"/>	710382	<input type="checkbox"/>	902221	4	3.94
<input type="checkbox"/>	710543	<input type="checkbox"/>	902222	6	6.37

Stainless Steel Grate Options

Qty.	Part No.	Configuration
<input type="checkbox"/>	808121	1/2
<input type="checkbox"/>	808122	3/4
<input type="checkbox"/>	808120	Full

Qty.	Part No.	Options
<input type="checkbox"/>	808176	Sediment Bucket
<input type="checkbox"/>	808174	Flashing Clamp



NOTICE

The information contained herein is not intended to replace the full product installation and safety information available or the experience of a trained product installer. You are required to thoroughly read all installation instructions and product safety information before beginning the installation of this product.

Orion product specifications in U.S. customary units and metric are approximate and are provided for reference only. For precise measurements, please contact Orion Technical Service. Orion reserves the right to change or modify product design, construction, specifications, or materials without prior notice and without incurring any obligation to make such changes and modifications on Orion products previously or subsequently sold.



A WATTS Brand

USA: T: (800) 334-6259 • OrionFittings.com
 Canada: T: (888) 208-8927 • OrionFittings.ca
 Latin America: T: (52) 55-4122-0138 • OrionFittings.com
 ES-OR-FS-SS8-LG 2410