

Engineering Specification

Job Name _____
 Job Location _____
 Engineer _____
 Approval _____

Contractor _____
 Approval _____
 Contractor's P.O. No. _____
 Representative _____

Class 600 High Temperature Pressure Sensor

Class 250, Class 300, & Class 600

The Class 600 is a high-temperature sapphire pressure sensor compatible with both aqueous and aggressive media. The pressure, acting on the diaphragm, is transferred over an oil-filled cooling-spiral capillary onto the silicon measuring cell, allowing media temperatures up to 392°F (200°C).

This sensor is available as an option on all SM smart strainer models. Contact Mueller Steam Specialty Customer Service for assistance.

Features

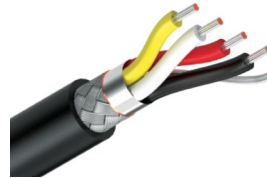
- Rugged, stainless steel construction
- -76°F to 392°F (-60°C to 200°C) media temperature range
- Compatible with harsh environments

Specification

Call customer service if you need assistance with technical details.

Pressure	
Measuring Range	0–500 psi
Accuracy	±0.5% FS
Electrical Data	
Power Supply	5 VDC (±5%)
Output Signal	Ratiometric
Maximum Cable Length	2 m (6.6 ft.)
Materials	
Wetted Materials	Case Stainless Steel 316L Sensor Sapphire
Environmental Standards	
Ingress Protection	IP65
Vibration	5–2000 Hz, 10G
System Conditions & Environment	
Liquid Types	Aqueous, Beverage, Oil/Gas
Working Temperature	-60°C – 200°C (-76°F – 392°F)
Ambient Temperature	0°C – 80°C (32°F – 176°F)
Maximum System Pressure	1000 psi
Burst Pressure	2000 psi
Certificates	
CE, Atex, RoHS, ExiallCT6	

Mueller Steam Specialty product specifications in U.S. customary units and metric are approximate and are provided for reference only. For precise measurements, please contact Mueller Steam Specialty Technical Service. Mueller Steam Specialty reserves the right to change or modify product design, construction, specifications, or materials without prior notice and without incurring any obligation to make such changes and modifications on Mueller Steam Specialty products previously or subsequently sold.



Connections

1	5V	Red
2	COM	Black
3	P1	White
4	Shield	

NOTICE

The information contained herein is not intended to replace the full product installation and safety information available or the experience of a trained product installer. You are required to thoroughly read all installation instructions and product safety information before beginning the installation of this product.

Mueller Steam Specialty™

A WATTS Brand

1/8-27 NPT

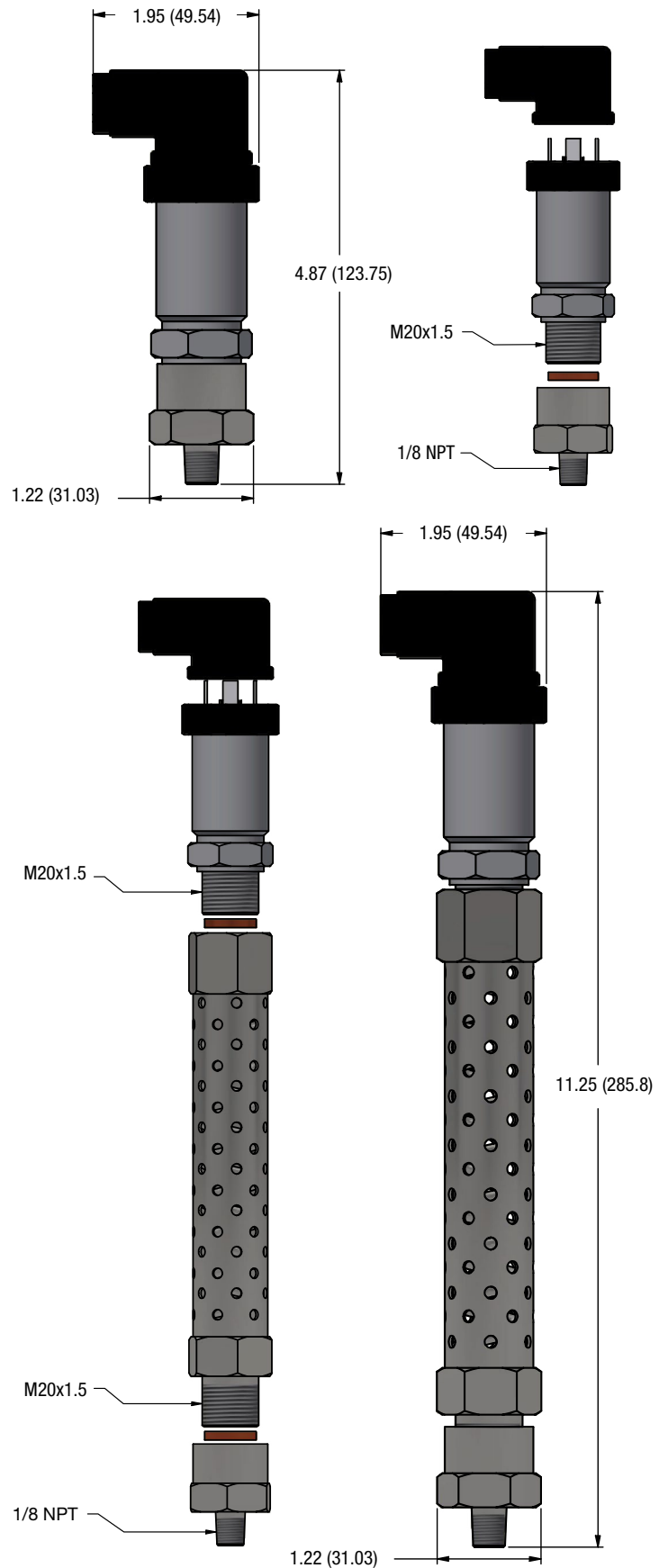
Seal: Pipe Thread

Mating Geometry: ANSI B1.20.1

Installation Torque: Two to three turns from finger tight
5-7 ft-lbs

Weight of Sensor without Cooling Tower: 7.3 oz

Dimensions



A WATTS Brand

