

Series 995, 995RPDA

Reduced Pressure Zone Assemblies

Reduced Pressure Detector Assemblies

Sizes 3" – 6"

Repair Kits

When ordering specify Ordering Code, Kit No., and Valve Size.

ORDERING CODE	KIT NO.	SIZE	FOR USE W/MODEL #’S
---------------	---------	------	---------------------

First Check Kits

LEAD FREE	ORDERING CODE	KIT NO.	SIZE	FOR USE W/MODEL #’S
	0888915	RK 995/995 RPDA CK1	3" – 4"	3" – 4" 995/995 RPDA
	0888916	RK 995/995 RPDA CK1	6"	6" 995/995 RPDA

Kit consists of: complete #1 check assembly and check O-ring.

Second Check Kits

LEAD FREE	ORDERING CODE	KIT NO.	SIZE	FOR USE W/MODEL #’S
	0888917	RK 995/995 RPDA CK2	3" – 4"	3" – 4" 995/995 RPDA
	0888918	RK 995/995 RPDA CK2	6"	6" 995/995 RPDA

Kit consists of: complete #2 check assembly and check O-ring.

First Check Rubber Parts Kits

LEAD FREE	ORDERING CODE	KIT NO.	SIZE	FOR USE W/MODEL #’S
	0888923	RK 995/995 RPDA RC1	3" – 4"	3" – 4" 995/995 RPDA
	0888924	RK 995/995 RPDA RC1	6"	6" 995/995 RPDA

Kit consists of: first check assembly O-ring, check disc, and (2) C-clips.

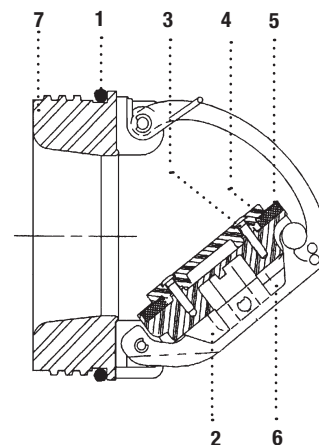
Second Check Rubber Parts Kits

LEAD FREE	ORDERING CODE	KIT NO.	SIZE	FOR USE W/MODEL #’S
	0888925	RK 995/995 RPDA RC2	3" – 4"	3" – 4" 995/995 RPDA
	0888926	RK 995/995 RPDA RC2	6"	6" 995/995 RPDA

Kit consists of: second check assembly O-ring, check disc, and (2) C-clips.

Parts Table

ITEM	PART DESCRIPTION	QTY.
1	1st Cam-Check O-ring (removable)	1
2	Clapper Assembly (removable)	1
3	Clapper Retaining Plate Screws (removable)	4
4	Clapper Retainer Plate (removable)	1
5	Clapper Disc (removable)	1
6	Pivot Arm Pin (removable) 2 C-clips	1
7	2nd Cam-Check O-ring (removable)	1



Align holes and insert pin or small screwdriver to hold in open position.

*The wetted surface of this product contacted by consumable water contains less than 0.25% of lead by weight.