

Series 990

Reduced Pressure Zone Assemblies

Sizes 4" – 8"

Relief Valve Kits

When ordering specify Ordering Code, Kit No., and Valve Size.

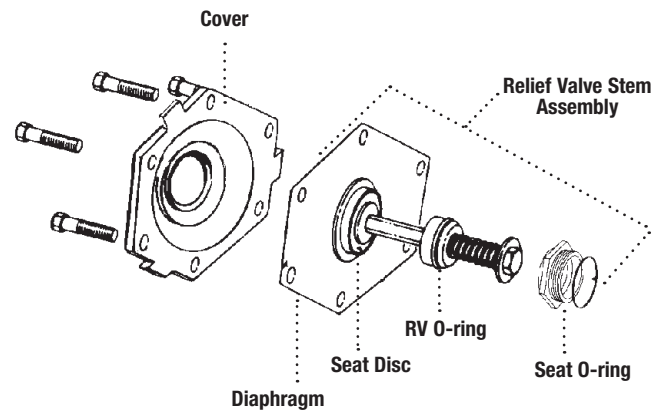
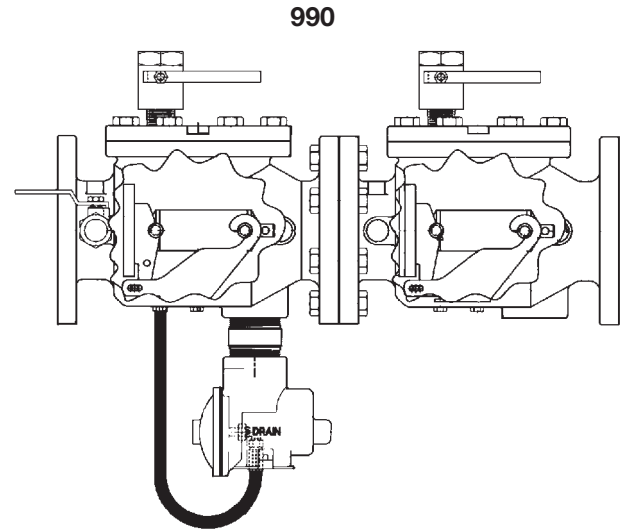
Series 990

ORDERING CODE	KIT NO.	SIZE
Relief Valve Total		
0887329	RK 990 VT	8"

Kit consists of: relief valve stem assembly, seat O-ring.

Relief Valve Rubber Parts		
0887326	RK 990 RV	8"

Kit consists of: relief valve diaphragm, piston O-rings, seat disc, seat O-ring.



Series 990, 990RPDA

Reduced Pressure Zone Assemblies

Reduced Pressure Detector Assemblies

Sizes 4" – 8"

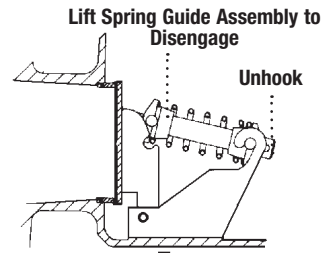
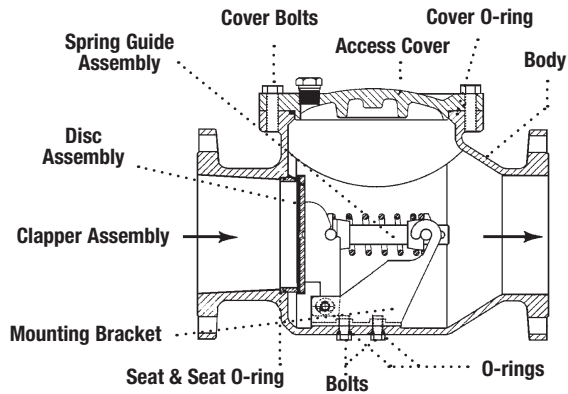


Fig. 1

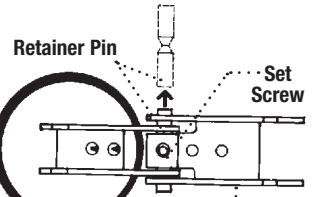
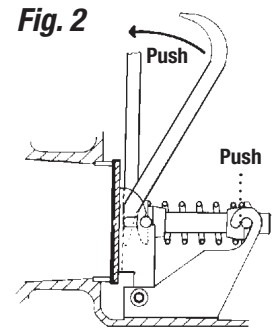


Fig. 3

Top View

Check Valve Kits

When ordering specify Ordering Code, Kit No., and Valve Size.

Series 990

ORDERING CODE	KIT NO.	SIZE
---------------	---------	------

Second Check Repair Kits

LEAD FREE	ORDERING CODE	KIT NO.	SIZE
	0887320	RK 990 CK2	8"

Kit consists of: spring assembly and cover O-ring.

Series 990RPDA

ORDERING CODE	KIT NO.	SIZE
---------------	---------	------

First Check Repair Kits

LEAD FREE	ORDERING CODE	KIT NO.	SIZE
	0887340	RK 990RPDA CK1	4"

*The wetted surface of this product contacted by consumable water contains less than 0.25% of lead by weight.