

Series 909, LF909-FS

Reduced Pressure Zone Assemblies

Sizes 2 1/2" – 10"

Relief Valve Kits

When ordering specify Ordering Code, Kit No., and Valve Size.

**M1 = Cast iron relief valve.

ORDERING CODE	KIT NO.	SIZE
---------------	---------	------

Relief Valve Rubber Parts

LEAD FREE	ORDERING CODE	KIT NO.	SIZE
	0794081	LFRK 909 RV	2 1/2" – 3"
	0794083	LFRK 909 RV	8" – 10"
	0794150	LFRK 909(M1)-RV	4"–6" 909, 8"–10" 909M1

Kit consists of: sleeve O-ring, piston O-ring, stem O-ring, RV disc assembly, diaphragm, piston seal, bottom plug O-ring, adapter O-ring and lubricant.

Relief Valve Total

LEAD FREE	ORDERING CODE	KIT NO.	SIZE
	0887237	RK 909 VT	8" – 10"
	0887267	RK 909 VT Bronze Body	4" – 6"
	0794085	LFRK 909 VT	2 1/2" – 3"
	0794151	LFRK 909(M1)-VT	4"–6" 909, 8"–10" 909M1

Kit consists of: diaphragm, disc & piston assembly, seat, seat O-ring, adapter O-ring and lubricant. (Sizes 4"–10"M1 includes bottom plug & spring assembly).

Total Rubber Parts Kits

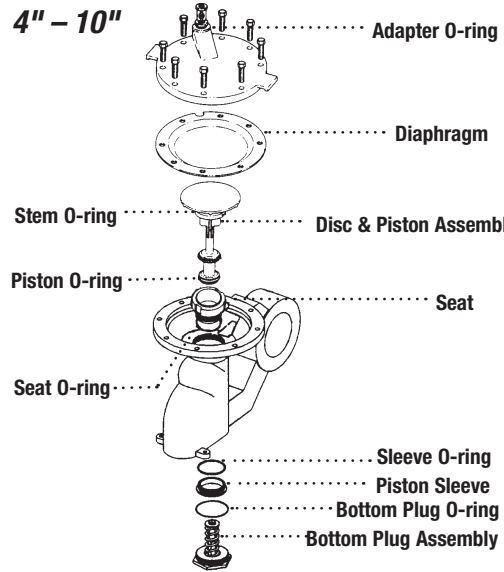
LEAD FREE	ORDERING CODE	KIT NO.	SIZE
	0794089	LFRK 909 RT	2 1/2" – 3"
	0794090	LFRK 909 RT	4"
	0794091	LFRK 909 RT	6"
	0794092	LFRK 909 RT	8"
	0794093	LFRK 909M1 RT	8"
	0794094	LFRK 909 RT	10"
	0794095	LFRK 909M1 RT	10"

Kit consists of: upper and lower check stem O-ring (6" only), check disc, cover O-ring, sleeve O-ring, piston O-ring, RV disc assembly, diaphragm, piston seal and lubricant.

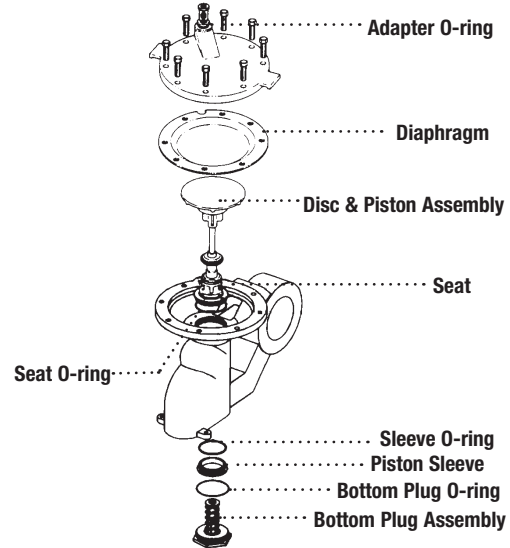
Sensor Kits

ORDERING CODE	KIT NO.	DESCRIPTION
Sensor Connection Kits, for LF909-FS large sizes 2 1/2" - 10"		
88003050	FP-BF-BMS	BMS Sensor Connection Kit
88003052	FP-BF-CFS	Cellular Sensor Connection Kit
Sensor Retrofit Connection Kit, for LF909 large sizes 2 1/2" - 3"		
88003051	FP-RFK-BF-BMS-CFS	BMS Sensor Retrofit Connection Kit
88003053	FP-RFK-BF-CFS	Cellular Sensor Retrofit Connection Kit
Sensor Retrofit Connection Kit, for LF909 large sizes 4" - 10"		
88003054	FP-RFK-BF-BMS-CFS	BMS Sensor Retrofit Connection Kit
88003055	FP-RFK-BF-CFS	Cellular Sensor Retrofit Connection Kit

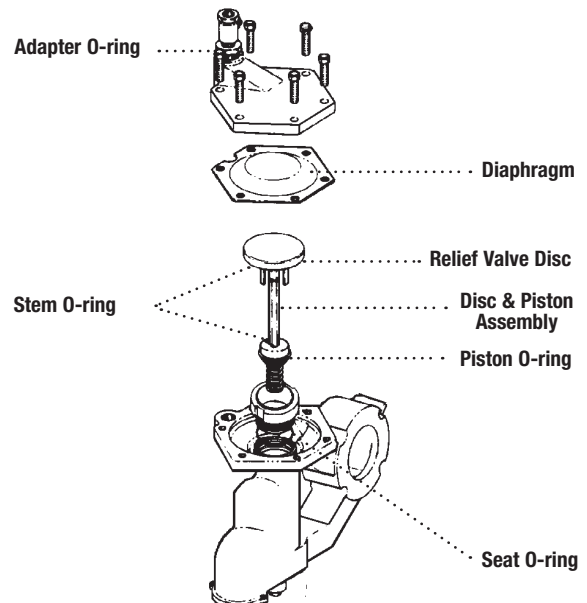
**Consult Factory



8"M1, 10"M1



2 1/2", 3"



*The wetted surface of this product contacted by consumable water contains less than 0.25% of lead by weight.

Series 909, LF909-FS

Reduced Pressure Zone Assemblies

Sizes 2 1/2" – 10"

Check Valve Kits

When ordering specify Ordering Code, Kit No., and Valve Size.

ORDERING CODE	KIT NO.	SIZE
---------------	---------	------

First Check Kits

LEAD FREE*	ORDERING CODE	KIT NO.	SIZE
	0794096	LFRK 909 CK1	2 1/2" – 3"
	0794097	LFRK 909 CK1	4"
	0794098	LFRK 909 CK1	6"
	0794099	LFRK 909 CK1	8"
	0794100	LFRK 909 CK1	10"

Second Check Kits

LEAD FREE*	ORDERING CODE	KIT NO.	SIZE
	0794101	LFRK 909 CK2	2 1/2" – 3"
	0794102	LFRK 909 CK2	4"
	0794103	LFRK 909 CK2	6"
	0794104	LFRK 909 CK2	8"
	0794105	LFRK 909 CK2	10"

Kit consists of: disc & spring assembly, cover O-ring and lubricant.

Seat Kits

LEAD FREE*	ORDERING CODE	KIT NO.	SIZE
	0794106	LFRK 909 S	2 1/2" – 3"
	0794107	LFRK 909 S	4"
	0794108	LFRK 909 S	6"
	0794109	LFRK 909 S	8"
	0794110	LFRK 909 S	10"

Kit consists of: seat, seat O-ring, cover O-ring, retainer wires and lubricant.

First Check Rubber Parts Kits

LEAD FREE*	ORDERING CODE	KIT NO.	SIZE
	0887220	RK 909 RC1	2 1/2" – 3"
	0887221	RK 909 RC1	4"
	0887223	RK 909 RC1	6"
	0887224	RK 909 RC1	8"
	0887225	RK 909 RC1	10"

Second Check Rubber Parts Kits

LEAD FREE*	ORDERING CODE	KIT NO.	SIZE
	0887226	RK 909 RC2	2 1/2" – 3"
	0887227	RK 909 RC2	4"
	0887228	RK 909 RC2	6"
	0887229	RK 909 RC2	8"
	0887230	RK 909 RC2	10"

Kit consists of: upper and lower check stem O-ring (6" only), check disc, cover O-ring and lubricant.

Sensor Kits

ORDERING CODE	KIT NO.	DESCRIPTION
---------------	---------	-------------

Sensor Connection Kits, for LF909-FS large sizes 2 1/2" - 10"

88003050	FP-BF-BMS	BMS Sensor Connection Kit
88003052	FP-BF-CFS	Cellular Sensor Connection Kit

Sensor Retrofit Connection Kit, for LF909 large sizes 2 1/2" - 3"

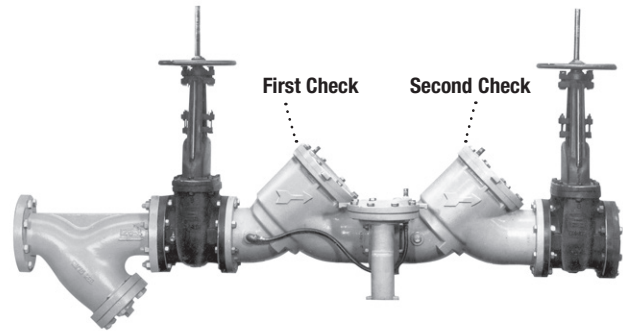
88003051	FP-RFK-BF-BMS-CFS	BMS Sensor Retrofit Connection Kit
88003053	FP-RFK-BF-CFS	Cellular Sensor Retrofit Connection Kit

Sensor Retrofit Connection Kit, for LF909 large sizes 4" - 10"

88003054	FP-RFK-BF-BMS-CFS	BMS Sensor Retrofit Connection Kit
88003055	FP-RFK-BF-CFS	Cellular Sensor Retrofit Connection Kit

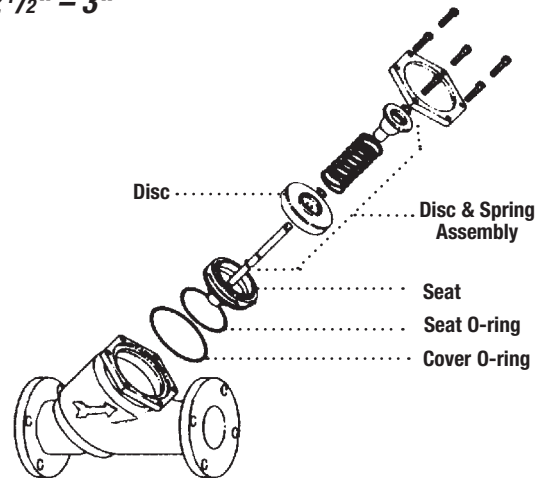
**Consult Factory

*The wetted surface of this product contacted by consumable water contains less than 0.25% of lead by weight.

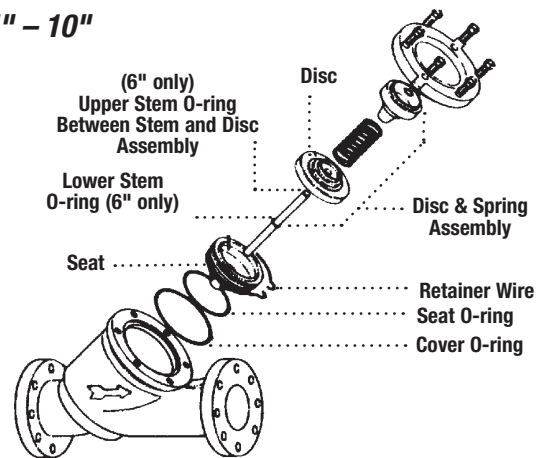


First and second checks are not interchangeable.

2 1/2" – 3"



4" – 10"



⚠ WARNING

Spring assembly is factory assembled. DO NOT DISASSEMBLE.

ORDERING CODE	KIT NO.	SIZE
---------------	---------	------

Cover Kits for Checks

LEAD FREE*	ORDERING CODE	KIT NO.	SIZE
	0887740	RK 909 C	2 1/2" – 3"
	0887741	RK 909 C	4"
	0887742	RK 909 C	6"
	0887743	RK 909 C	8"
	0887744	RK 909 C	10"

Kit consists of: cover, cover O-ring and lubricant.

Series 909RPDA, 909RPDA-FS

Reduced Pressure Detector Assemblies

2 1/2" – 10"

Relief Valve Kits

When ordering specify Ordering Code, Kit No., and Valve Size.

**M1 = Cast iron relief valve.

ORDERING CODE	KIT NO.	SIZE
---------------	---------	------

Relief Valve Rubber Parts

LEAD FREE	ORDERING CODE	KIT NO.	SIZE
	0794111	LFRK 909RPDA-RV	2 1/2" – 3"
	0794112	LFRK 909RPDA-RV	4" – 10"

Kit consists of: sleeve O-ring, seat O-ring, piston O-ring, stem O-ring, RV disc assembly, diaphragm, piston seal, bottom plug O-ring, adapter O-ring and lubricant.

Relief Valve Total

LEAD FREE	ORDERING CODE	KIT NO.	Body	SIZE
	0887268	RK 909RPDA VT	Bronze Body	4" – 6"
	0794115	LFRK 909RPDA-VT	Cast Iron Body	2 1/2" – 3"
	0794116	LFRK 909RPDA-VT		4" – 10"

Kit consists of: diaphragm, disc & piston assembly, seat, seat O-ring, adapter O-ring and lubricant. (Sizes 4"–10"M1 includes bottom plug & spring assembly.)

Total Rubber Parts Kits

LEAD FREE	ORDERING CODE	KIT NO.	SIZE
	0794123	LFRK 909RPDA-RT	8"
	0794119	LFRK 909RPDA-RT	2 1/2" – 3"
	0794120	LFRK 909RPDA-RT	4"
	0794121	LFRK 909RPDA-RT	6"
	0794125	LFRK 909RPDA-RT	10"

Kit consists of: upper and lower check stem O-ring (6" only), check disc, cover O-ring, sleeve O-ring, piston O-ring, RV disc assembly, diaphragm, piston seat and lubricant.

Sensor Kits

ORDERING CODE	KIT NO.	DESCRIPTION
---------------	---------	-------------

Sensor Connection Kits, for LF909-FS large sizes 2 1/2" - 10"

88003050	FP-BF-BMS	BMS Sensor Connection Kit
88003052	FP-BF-CFS	Cellular Sensor Connection Kit

Sensor Retrofit Connection Kit, for LF909 large sizes 2 1/2" - 3"

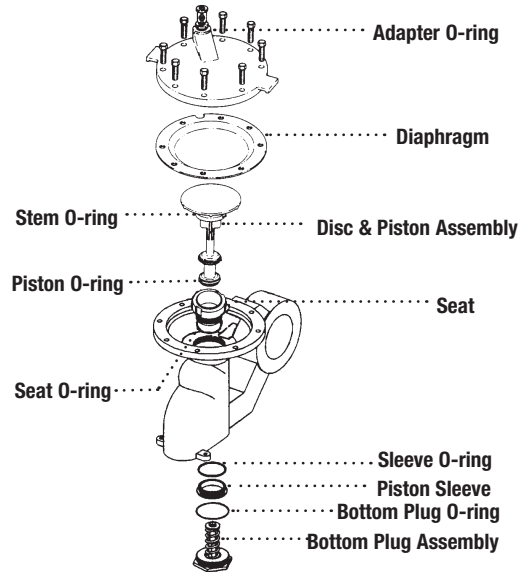
88003051	FP-RFK-BF-BMS-CFS	BMS Sensor Retrofit Connection Kit
88003053	FP-RFK-BF-CFS	Cellular Sensor Retrofit Connection Kit

Sensor Retrofit Connection Kit, for LF909 large sizes 4" - 10"

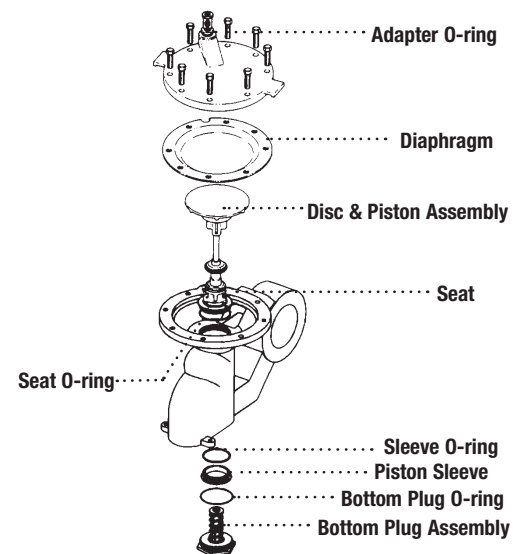
88003054	FP-RFK-BF-BMS-CFS	BMS Sensor Retrofit Connection Kit
88003055	FP-RFK-BF-CFS	Cellular Sensor Retrofit Connection Kit

**Consult Factory

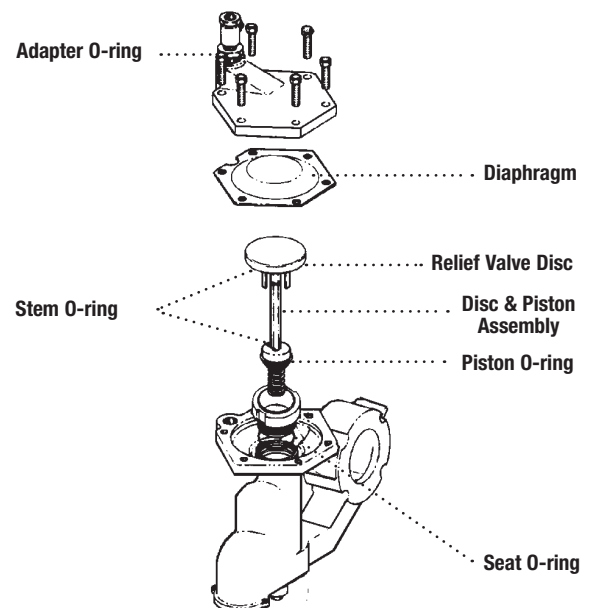
4" – 10"



8"M1, 10"M1



2 1/2", 3"



Series 909RPDA-FS

Reduced Pressure Detector Assemblies

2 1/2" – 10"

Check Valve Kits

When ordering specify Ordering Code, Kit No., and Valve Size.

ORDERING CODE	KIT NO.	SIZE
---------------	---------	------

First Check Kits

LEAD FREE*	ORDERING CODE	KIT NO.	SIZE
	0794126	LFRK 909RPDA-CK1	2 1/2" – 3"
	0794127	LFRK 909RPDA-CK1	4"
	0794128	LFRK 909RPDA-CK1	6"
	0794129	LFRK 909RPDA-CK1	8"
	0794130	LFRK 909RPDA-CK1	10"

Second Check Kits

LEAD FREE*	ORDERING CODE	KIT NO.	SIZE
	0794131	LFRK 909RPDA-CK2	2 1/2" – 3"
	0794132	LFRK 909RPDA-CK2	4"
	0794133	LFRK 909RPDA-CK2	6"
	0794135	LFRK 909RPDA-CK2	10"

Kit consists of: disc & spring assembly, cover O-ring and lubricant.

First Check Rubber Parts Kits

LEAD FREE*	ORDERING CODE	KIT NO.	SIZE
	0887249	RK 909RPDA RC1	2 1/2" – 3"
	0887250	RK 909RPDA RC1	4"
	0887251	RK 909RPDA RC1	6"
	0887252	RK 909RPDA RC1	8"
	0887253	RK 909RPDA RC1	10"

Second Check Rubber Parts Kits

LEAD FREE*	ORDERING CODE	KIT NO.	SIZE
	0887254	RK 909RPDA RC2	2 1/2" – 3"
	0887255	RK 909RPDA RC2	4"
	0887256	RK 909RPDA RC2	6"
	0887257	RK 909RPDA RC2	8"
	0887258	RK 909RPDA RC2	10"

Kit consists of: upper and lower check stem O-ring (6" only), check disc, cover O-ring and lubricant.

Seat Kits

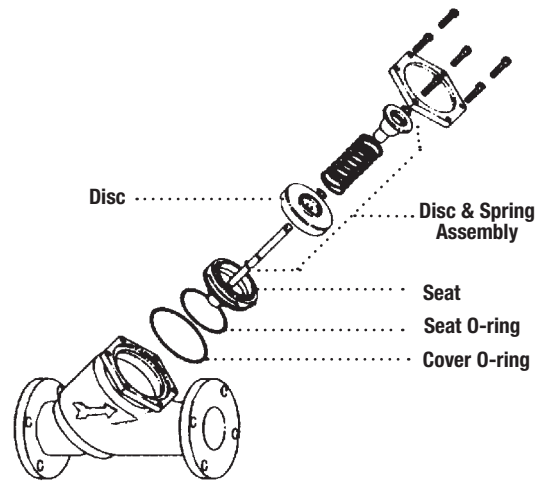
LEAD FREE*	ORDERING CODE	KIT NO.	SIZE
	0794136	LFRK 909RPDA-S	2 1/2" – 3"
	0794137	LFRK 909RPDA-S	4"
	0794138	LFRK 909RPDA-S	6"
	0794139	LFRK 909RPDA-S	8"
	0794140	LFRK 909RPDA-S	10"

Kit consists of: seat, seat O-ring, cover O-ring, retainer wires and lubricant.

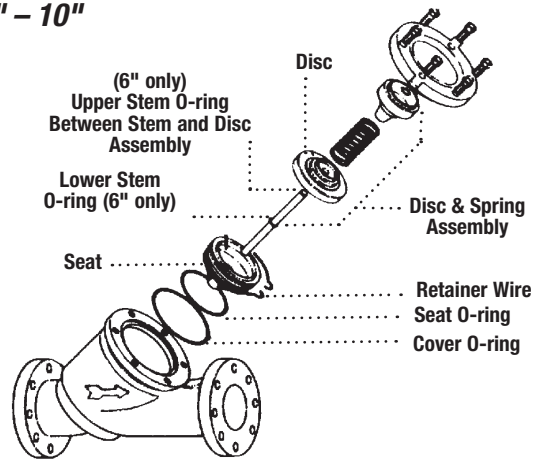
Cover Kits for Checks

LEAD FREE*	ORDERING CODE	KIT NO.	SIZE
	0887745	RK 909RPDA C	2 1/2" – 3"
	0887746	RK 909RPDA C	4"
	0887747	RK 909RPDA C	6"
	0887748	RK 909RPDA C	8"
	0887749	RK 909RPDA C	10"

2 1/2" – 3"



4" – 10"



⚠ WARNING

Spring assembly is factory assembled. DO NOT DISASSEMBLE.

Sensor Kits

ORDERING CODE	KIT NO.	DESCRIPTION
---------------	---------	-------------

Sensor Connection Kits, for LF909-FS large sizes 2 1/2" - 10"

88003050	FP-BF-BMS	BMS Sensor Connection Kit
88003052	FP-BF-CFS	Cellular Sensor Connection Kit

Sensor Retrofit Connection Kit, for LF909 large sizes 2 1/2" - 3"

88003051	FP-RFK-BF-BMS-CFS	BMS Sensor Retrofit Connection Kit
88003053	FP-RFK-BF-CFS	Cellular Sensor Retrofit Connection Kit

Sensor Retrofit Connection Kit, for LF909 large sizes 4" - 10"

88003054	FP-RFK-BF-BMS-CFS	BMS Sensor Retrofit Connection Kit
88003055	FP-RFK-BF-CFS	Cellular Sensor Retrofit Connection Kit

*The wetted surface of this product contacted by consumable water contains less than 0.25% of lead by weight.

**Consult Factory