

# Series 993, 993RPDA

## Reduced Pressure Zone Assemblies

## Reduced Pressure Detector Assemblies

4" and 6"

### Relief Valve Kits

When ordering specify Ordering Code, Kit No., and Valve Size.

#### Series 993

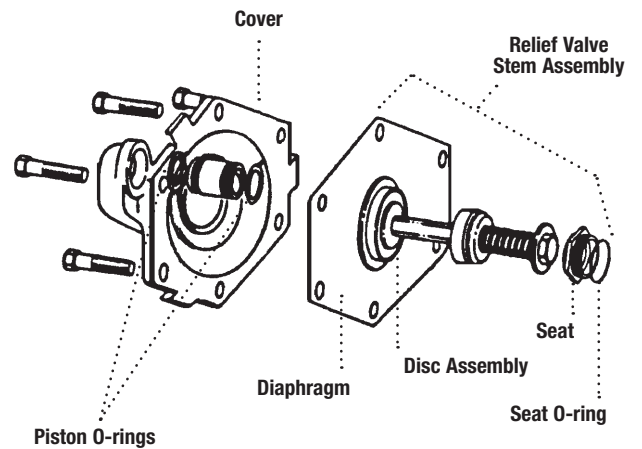
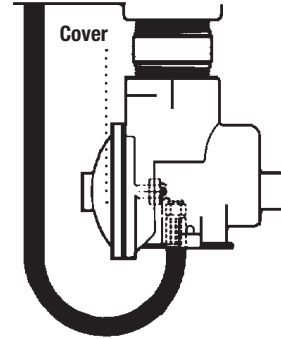
ORDERING CODE	KIT NO.	SIZE	LIST PRICE
<b>Relief Valve Rubber Parts</b>			
0888507	RK 993 RV	6"	\$397.50

Kit consists of: relief valve diaphragm, piston O-rings, disc assembly, seat O-ring and lubricant.

#### Series 993RPDA

ORDERING CODE	KIT NO.	SIZE	LIST PRICE
<b>Relief Valve Rubber Parts</b>			
0888405	RK 993RPDA RV	4"	397.50
0888517	RK 993RPDA RV	6"	397.50

Kit consists of: relief valve diaphragm, piston O-rings, disc assembly, seat O-ring and lubricant.



# Series 993, 993RPDA

## Reduced Pressure Zone Assemblies

## Reduced Pressure Detector Assemblies

Sizes 4" and 6"

### Check Valve Kits

When ordering specify Ordering Code, Kit No., and Valve Size.

#### Series 993

ORDERING CODE	KIT NO.	SIZE
---------------	---------	------

#### First Check Kits

0888040	RK 993 CK1	4"
0888500	RK 993 CK1	6"

#### Second Check Kits

0888041	RK 993 CK2	4"
0888501	RK 993 CK2	6"

Kit consists of: disc & spring assembly, cover O-ring and lubricant.

#### First Check Rubber Parts Kits

LEAD FREE	ORDERING CODE	KIT NO.	SIZE
	0888042	RK 993 RC1	4"

#### Second Check Rubber Parts Kits

LEAD FREE	ORDERING CODE	KIT NO.	SIZE
	0888043	RK 993 RC2	4"

Kit consists of: disc assembly, cover O-ring and lubricant.

#### Seat Kit for Checks

0888044	RK 993 S	4"
0888504	RK 993 S	6"

Kit consists of: seat, seat O-ring, cover O-ring, retainer wire and lubricant.

#### Total Rubber Parts Kits

0888048	RK 993 RT	4"
0888505	RK 993 RT	6"

Kit consists of: disc assembly, cover O-ring, sleeve O-ring, piston O-ring, RV disc assembly, diaphragm, piston seat and lubricant.

#### Cover Kits

LEAD FREE	ORDERING CODE	KIT NO.	SIZE
	0888047	RK 993 C	4"
	0888506	RK 993 C	6"

Kit consists of: cover, cover O-ring and lubricant.

### Series 993RPDA

ORDERING CODE	KIT NO.	SIZE
---------------	---------	------

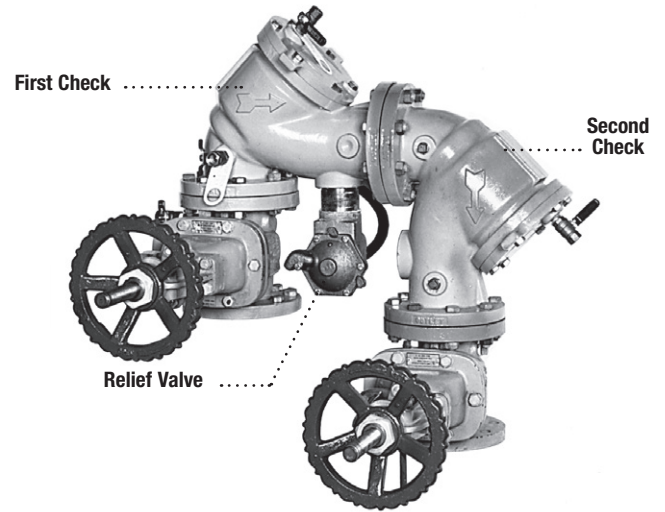
#### First Check Rubber Parts Kits

LEAD FREE	ORDERING CODE	KIT NO.	SIZE
	0888512	RK 993RPDA RC1	6"

#### Second Check Rubber Parts Kits

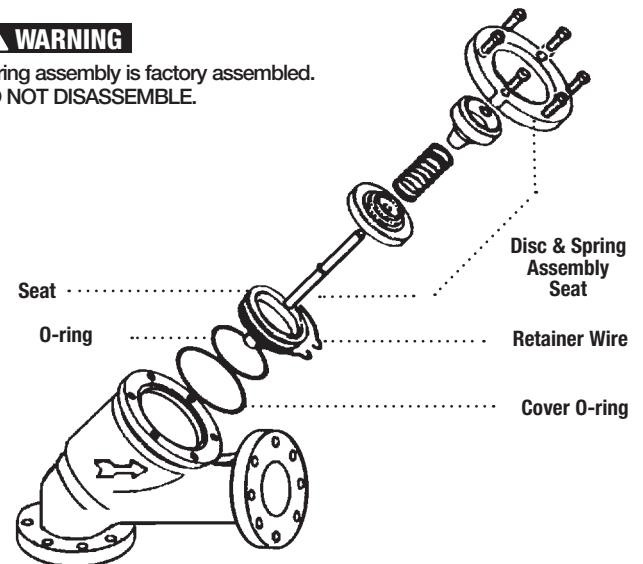
LEAD FREE	ORDERING CODE	KIT NO.	SIZE
	0888403	RK 993RPDA RC2	4"
	0888513	RK 993RPDA RC2	6"

Kit consists of: disc assembly, cover O-ring and lubricant.



#### ⚠ WARNING

Spring assembly is factory assembled.  
DO NOT DISASSEMBLE.



ORDERING CODE	KIT NO.	SIZE
---------------	---------	------

#### Seat Kit for Checks

0888404	RK 993RPDA S	4"
0888514	RK 993RPDA S	6"

Kit consists of: seat, seat O-ring, cover O-ring, retainer wire and lubricant.

#### Total Rubber Parts Kits

0888408	RK 993RPDA RT	4"
0888515	RK 993RPDA RT	6"

Kit consists of: disc assembly, cover O-ring, sleeve O-ring, piston O-ring, RV disc assembly, diaphragm, piston seat and lubricant.

#### Cover Kits

LEAD FREE	ORDERING CODE	KIT NO.	SIZE
	0888407	RK 993RPDA C	4"
	0888516	RK 993RPDA C	6"

Kit consists of: cover, cover O-ring and lubricant.

\*The wetted surface of this product contacted by consumable water contains less than 0.25% of lead by weight.