

Series 772, 772DCDA

Double Check Valve Assemblies Double Check Detector Assemblies

Sizes 4" – 10"

Repair Kits 772

Series 772 utilizes 770 repair kits

When ordering specify Ordering Code, Kit No., and Valve Size.

ORDERING CODE	KIT NO.	SIZE
---------------	---------	------

1st or 2nd check kits

0887070	RK 770 CK4	4"
0887072	RK 770 CK4	10"

Kit consists of: spring assembly and cover O-ring.

Check Rubber Parts

0887091	RK 770 RC4	4"
0887092	RK 770 RC4	6" – 8"
0887093	RK 770 RC4	10"

Kit consists of: cover O-ring; bolt O-ring; disc - for one check.

Complete Repair Kits

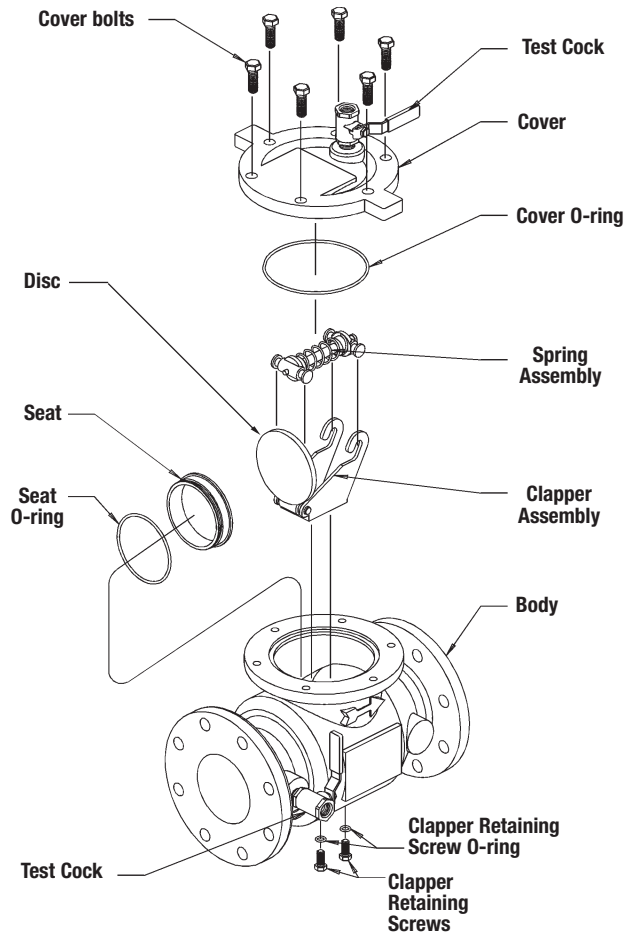
0887079	RK 770 T	4"
0887081	RK 770 T	10"

Kit consists of: 2 cover O-rings; 2 discs; 2 spring assembly; 2 bolt O-ring - for both checks.

Seat Kits

0887085	RK 770 S	4"
---------	----------	----

Kit consists of: seat; seat O-ring - for one check.



Repair Kits 772DCDA

Series 772 utilizes 770 repair kits

ORDERING CODE	KIT NO.	SIZE
---------------	---------	------

1st or 2nd check kits

0887073	RK 770DCDA CK1	4"
0887075	RK 770DCDA CK1	10"
0887076	RK 770DCDA CK2	4"
0887078	RK 770DCDA CK2	10"

Kit consists of: spring assembly and cover O-ring.

Check Rubber Parts

0887082	RK 770 DCDA RC4	4"
0887083	RK 770 DCDA RC4	6" – 8"
0887084	RK 770 DCDA RC4	10"

Kit consists of: cover O-ring; bolt O-ring; disc - for one check.

Complete Repair Kits

0887088	RK 770 DCDA T	4"
0887090	RK 770 DCDA T	10"

Kit consists of: 2 cover O-rings; 2 discs; 2 spring assembly; 2 bolt O-ring - for both checks.

*The wetted surface of this product contacted by consumable water contains less than 0.25% of lead by weight.