

Series 709, LF709

Double Check Valve Assemblies

Sizes 2 1/2" – 10"

Repair Kits

When ordering specify Ordering Code, Kit No., and Valve Size.

	ORDERING CODE	KIT NO.	SIZE
LEAD FREE*	0794014	LFRK 709 CK4	2 1/2" – 3"
	0794015	LFRK 709 CK4	4"
	0794016	LFRK 709 CK4	**6"
	0794017	LFRK 709 CK4	8"
	0794018	LFRK 709 CK4	10"

Kit consists of: disc & spring assembly and cover O-ring.

Rubber Parts (for one check)

LEAD FREE*	0887905	RK 709 RC4	2 1/2" – 3"
	0887906	RK 709 RC4	4"
	0887907	RK 709 RC4	**6"
	0887908	RK 709 RC4	8"
	0887909	RK 709 RC4	10"

Kit consists of: disc and cover O-ring.

Complete Rubber Parts

LEAD FREE*	0887915	RK 709 RT	2 1/2" – 3"
	0887916	RK 709 RT	4"
	0887917	RK 709 RT	**6"
	0887918	RK 709 RT	8"
	0887919	RK 709 RT	10"

Kit consists of: 2 discs and 2 cover O-rings.

Seat Kits

LEAD FREE*	0794019	LFRK 709S	2 1/2" – 3"
	0794020	LFRK 709S	4"
	0794021	LFRK 709S	6"
	0794022	LFRK 709S	8"
	0794023	LFRK 709S	10"

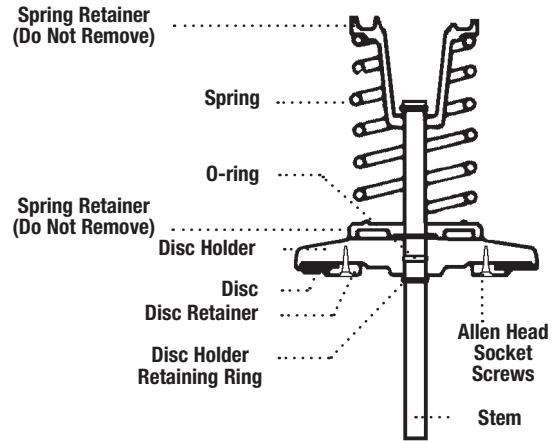
Kit consists of: seat; seat O-ring; cover O-ring and retainer wire.

Cover Kits

LEAD FREE*	0887920	RK 709 C	2 1/2" – 3"
	0887921	RK 709 C	4"
	0887922	RK 709 C	6"
	0887923	RK 709 C	8"
	0887924	RK 709 C	10"

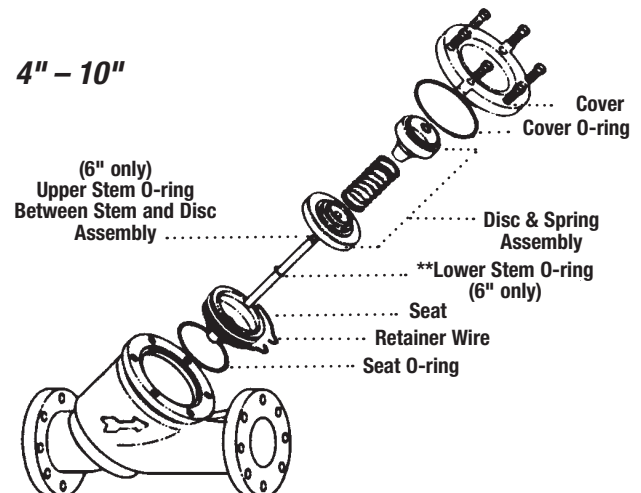
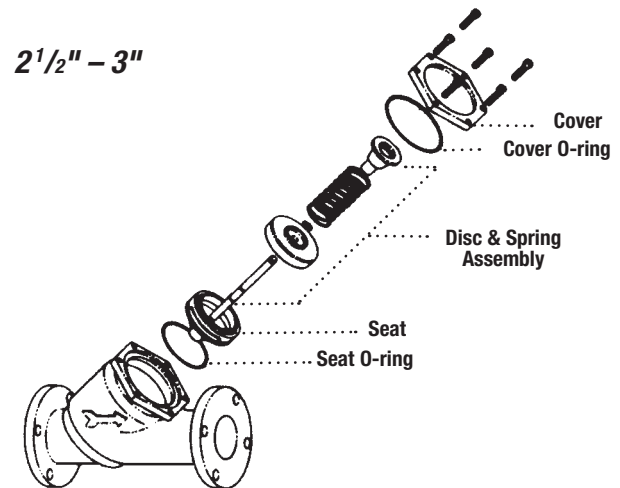
Kit consists of: cover and cover O-ring.

**6" also includes upper and lower stem O-ring



⚠ WARNING

Spring assembly is factory assembled. DO NOT DISASSEMBLE.



*The wetted surface of this product contacted by consumable water contains less than 0.25% of lead by weight.