

Series 009, LF009, 009-FS, LF000-FS

Reduced Pressure Zone Assemblies

Sizes 1/4" - 1"

Repair Kits

When ordering specify Ordering Code, Kit No., and Valve Size.

ORDERING CODE	KIT NO.	SIZE
---------------	---------	------

Total Repair Kits

LEAD FREE*	ORDERING CODE	KIT NO.	SIZE
	0887298	RK 009-T	1/4" - 1/2"
	0888527	RK 009M3-T	3/4"
	0887302	RK 009M2-T	3/4"
	0887283	RK 009-T	3/4" - 1"
	0887793	RK 009M2-T	1"

Kit consists of: relief valve repair kit, first check repair kit, second check repair kit, retainer (if plastic)

Relief Valve Kits

Total Relief Valve Kits

LEAD FREE*	ORDERING CODE	KIT NO.	SIZE
	0887294	RK 009 VT	1/4" - 1/2"
	0887509	RK SS009 VT	1/2"
	0887002	RK 009M2 VT	3/4"
	0887520	RK SS009M2/M3 VT	1/4" - 3/4"
	0888524	RK 009M3 VT	3/4"
	0887015	RK 009 VT	3/4" - 1"
	0887503	RK SS009VT	1"
	0887785	RK 009M2 VT	1"

Kit consists of: seat, seat O-ring, stem & diaphragm assembly, stem O-ring, cover O-ring and RV spring.

Relief Valve Rubber Parts Kits

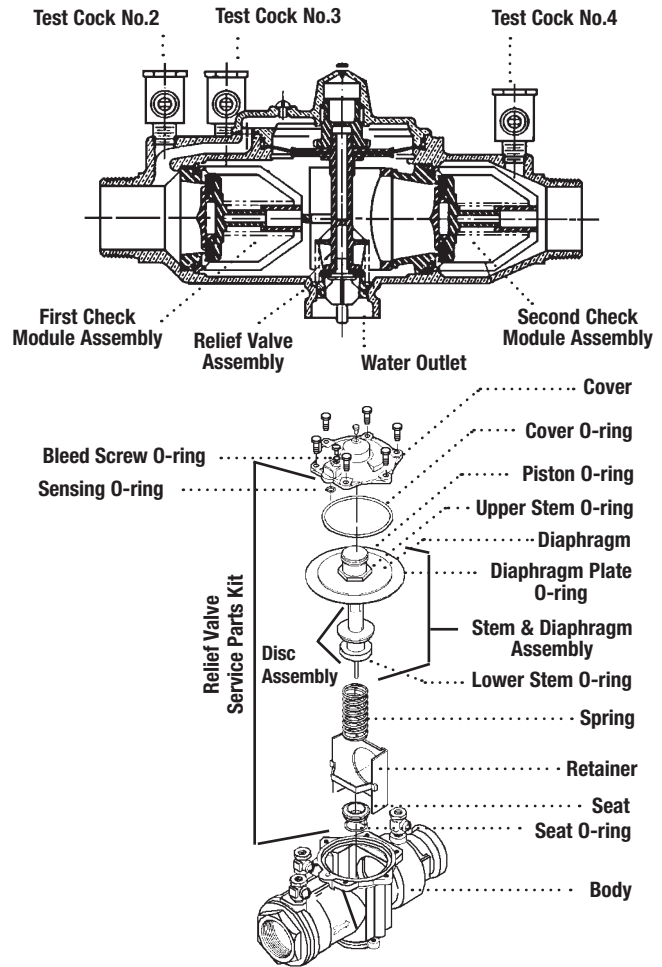
LEAD FREE*	ORDERING CODE	KIT NO.	SIZE
	0887295	RK 009 RV	1/4" - 1/2"
	0887510	RK SS009 RV	1/2"
	0886998	RK 009M2 RV	3/4"
	0887519	RK SS009M2/M3 RV	1/4" - 3/4"
	0888523	RK 009M3 RV	3/4"
	0887181	RK 009 RV	3/4" - 1"
	0887529	RK SS009 RV	3/4" - 1"
	0887786	RK 009M2 RV	1"

Kit consists of: diaphragm, disc assembly, stem O-rings, seat O-ring and cover O-ring.

Total Rubber Parts Kits

LEAD FREE*	ORDERING CODE	KIT NO.	SIZE
	0887297	RK 009 RT	1/4" - 1/2"
	0887511	RK SS009 RT	1/2"
	0886999	RK 009M2 RT	3/4"
	0887521	RK SS009M2 RT	1/4" - 3/4"
	0888597	RK SS009M3 RT	1/4" - 3/4"
	0888526	RK 009M3 RT	3/4"
	0887182	RK 009 RT	3/4" - 1"
	0887530	RK SS009 RT	1"
	0887787	RK 009M2 RT	1"

Kit consists of: diaphragm, two disc assemblies, stem O-rings, cover O-ring, two seat O-rings and RV seat O-ring.



ORDERING CODE	KIT NO.	SIZE
---------------	---------	------

Cover Kits

LEAD FREE*	ORDERING CODE	KIT NO.	SIZE
	0794044	LFRK 009 C	1/4" - 1/2"
	0887500	RK SS009 C	1/2"
	0887013	RK 009 C	3/4" - 1"
	0887501	RK SS009M2/M3 C	1/4" - 3/4"
	0794045	LFRK 009M2/M3 C	3/4"
	0887502	RK SS009 C	1"
	0794046	LFRK 009M2 C	1"

Kit consists of: cover and cover O-ring.

Sensor Kits

ORDERING CODE	KIT NO.	DESCRIPTION
---------------	---------	-------------

Sensor Connection Kits for 009-FS, LF009-FS, LFU009-FS, SS009-FS, U009-FS sizes 1/2" - 2"

88003056	FP-BF-BMS	BMS Sensor Connection Kit
88003060	FP-BF-CFS	Cellular Sensor Connection Kit

Sensor Retrofit Connection Kits for 009, LF009, LFU009, SS009, U009 sizes 1/2" - 3/4"

88003057	FP-RFK-BF-BMS-CFS	BMS Sensor Retrofit Connection Kit
88003061	FP-RFK-BF-CFS	Cellular Sensor Retrofit Connection Kit

Sensor Retrofit Connection Kits for 009, LF009, LFU009, SS009, U009 sizes 1" - 1 1/2"

88003058	FP-RFK-BF-BMS-CFS	BMS Sensor Retrofit Connection Kit
88003062	FP-RFK-BF-CFS	Cellular Sensor Retrofit Connection Kit

*The wetted surface of this product contacted by consumable water contains less than 0.25% of lead by weight.