

# Series 009, LF009

## Reduced Pressure Zone Assemblies

Sizes 1 1/4" – 2"

### Repair Kits

When ordering specify Ordering Code, Kit No., and Valve Size.

ORDERING CODE	KIT NO.	SIZE
---------------	---------	------

#### Total Repair Kits

LEAD FREE	ORDERING CODE	KIT NO.	SIZE
	0887794	RK 009M2-T	1 1/4"– 1 1/2"
	0887284	RK 009-T	1 1/4"– 2"
	0887269	RK 009M1-T	1 1/4"– 2"
	0887795	RK 009M2-T	2"

Kit consists of: relief valve repair kit, first check repair kit, second check repair kit, retainer (if plastic)

### Relief Valve Kits

#### Relief Valve Total Kits

LEAD FREE	ORDERING CODE	KIT NO.	SIZE
	0887307	RK 009M2 VT	1 1/4"– 1 1/2"
	0887277	RK 009M1 VT	1 1/4"– 2"
	0887016	RK 009 VT	1 1/4"– 2"
	0887545	RK 009M2 VT	2"

Kit consists of: RV assembly, seat, seat O-ring, cover O-ring, sensing passage O-ring and upper stem O-ring and RV spring.

#### Relief Valve Rubber Parts Kits

LEAD FREE	ORDERING CODE	KIT NO.	SIZE
	0887306	RK 009M2 RV	1 1/4"– 1 1/2"
	0887276	RK 009M1 RV	1 1/4"– 2"
	0887184	RK 009 RV	1 1/4"– 2"
	0887544	RK 009M2 RV	2"

Kit consists of: diaphragm, seat O-ring, cover O-ring and sensing passage O-ring.

#### Complete Rubber Parts Kits

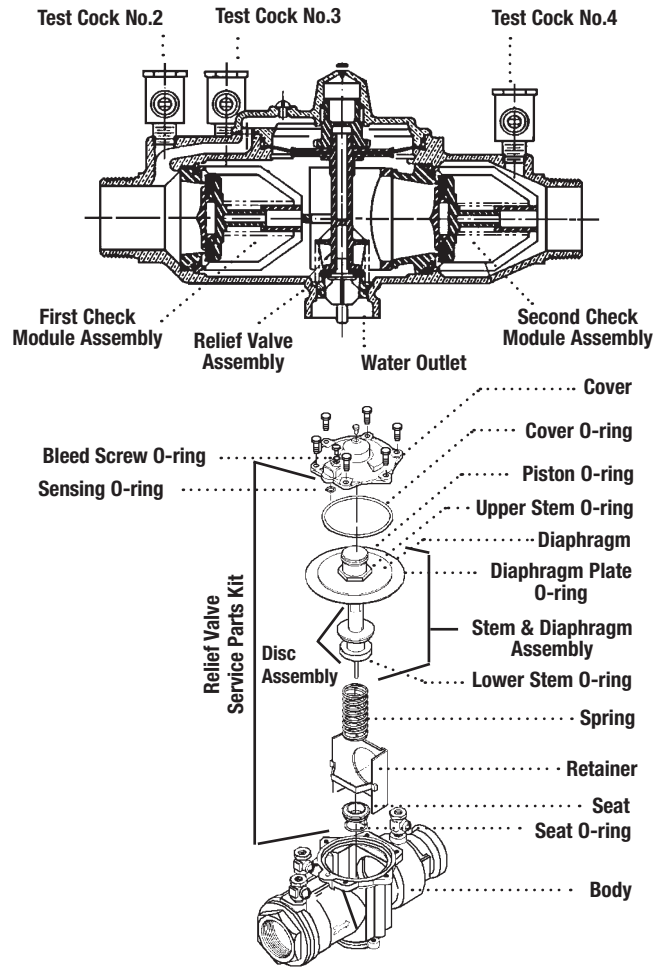
LEAD FREE	ORDERING CODE	KIT NO.	SIZE
	0887309	RK 009M2 RT	1 1/4"– 1 1/2"
	0887185	RK 009 RT	1 1/4"– 2"
	0887280	RK 009M1 RT	1 1/4"– 2"
	0887547	RK 009M2 RT	2"

Kit consists of: two check assembly O-rings, two disc assemblies, one cover O-ring, one RV diaphragm, one RV seat O-ring, one sensing passage O-ring, one diaphragm plate O-ring, one RV lower stem O-ring, one RV upper stem O-ring, one RV disc assembly and one bleed screw O-ring.

#### Cover Kits

LEAD FREE	ORDERING CODE	KIT NO.	SIZE
	0794047	LFRK 009M2 C	1 1/4"– 1 1/2"
	0794048	LFRK 009M2 C	2" 009M2, 1 1/4"– 2" 009/009M1

Kit consists of: cover, cover O-ring sensing passage O-ring, bleed screw O-ring, vent hood and bleed screw.



### Sensor Kits

ORDERING CODE	KIT NO.	DESCRIPTION
---------------	---------	-------------

#### Sensor Retrofit Connection Kits for 009, LF009, LFU009, SS009, U009 sizes 1" – 1 1/2"

88003058	FP-RFK-BF-BMS-CFS	BMS Sensor Retrofit Connection Kit
88003062	FP-RFK-BF-CFS	Cellular Sensor Retrofit Connection Kit

#### Sensor Retrofit Connection Kits for 009, LF009, LFU009, U009 sizes 2"

88003059	FP-RFK-BF-BMS-CFS	BMS Sensor Retrofit Connection Kit
88003063	FP-RFK-BF-CFS	Cellular Sensor Retrofit Connection Kit

\*The wetted surface of this product contacted by consumable water contains less than 0.25% of lead by weight.

# Series 009, LF009, 009-FS, LF000-FS

## Reduced Pressure Zone Assemblies

Sizes 1/4" – 2"

### Check Valve Kits

When ordering specify Ordering Code, Kit No., and Valve Size. 1/4" – 1"

ORDERING CODE	KIT NO.	SIZE
<b>First Check Kits</b>		
0887291	RK 009 CK1	1/4" – 1/2"
0887505	RK SS009 CK1	1/2" – 3/4"
0887000	RK 009M2 CK1	3/4"
0887515	RK SS009M3 CK1	1/4" – 3/4"
0888520	RK 009M3 CK1	3/4"
0887005	RK 009 CK1	3/4" – 1"
0887009	RK 009 CK1SS	3/4" – 1"
0887525	RK SS009 CK1	1"
0887789	RK 009 M2 CK1	1"

Kit consists of: check assembly and cover O-ring.

### Second Check Kits

0887292	RK 009 CK2	1/4" – 1/2"
0887506	RK SS009 CK2	1/2" – 3/4"
0887001	RK 009M2 CK2	3/4"
0887516	RK SS009M3 CK2	1/4" – 3/4"
0888521	RK 009M3 CK2	3/4"
0887007	RK 009 CK2	3/4" – 1"
0887011	RK 009 CK2SS	3/4" – 1"
0887526	RK SS009 CK2	1"
0887790	RK 009M2 CK2	1"

Kit consists of: check assembly and cover O-ring.

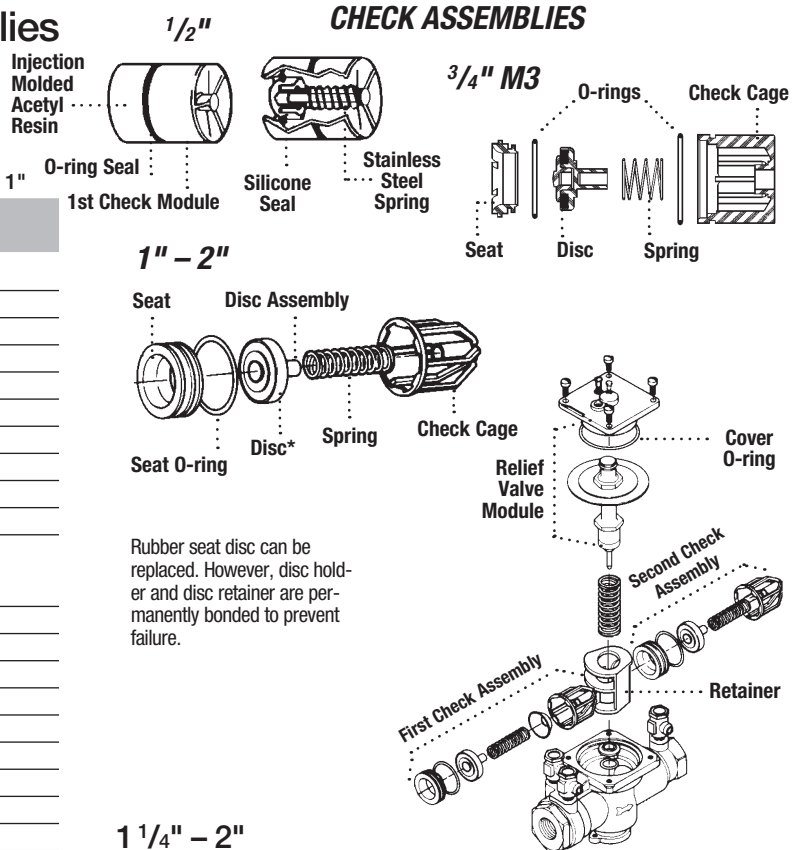
### Check Rubber Parts

0887293	RK 009 RC3	1/4" – 1/2"
0887507	RK SS009 RC1	1/2" – 3/4"
0887508	RK SS009 RC2	1/2" – 3/4"
0887003	RK 009M2 RC3	3/4"
0888595	RK SS009M3 RC1	1/4" – 3/4"
0888596	RK SS009M3 RC2	1/4" – 3/4"
0888522	RK 009M3 RC3	3/4"
0887017	RK 009 RC1	3/4" – 1"
0887180	RK 009 RC2	3/4" – 1"
0887527	RK SS009 RC1	1"
0887528	RK SS009 RC2	1"
0887791	RK 009M2 RC1	1"
0887792	RK 009M2 RC2	1"

Kit consists of: disc, cover O-ring and seat O-ring.

### Sensor Kits

ORDERING CODE	KIT NO.	DESCRIPTION
<b>Sensor Connection Kits for 009-FS, LF009-FS, LFU009-FS, SS009-FS, U009-FS sizes 1/2" – 2"</b>		
88003056	FP-BF-BMS	BMS Sensor Connection Kit
88003060	FP-BF-CFS	Cellular Sensor Connection Kit
<b>Sensor Retrofit Connection Kits for 009, LF009, LFU009, SS009, U009 sizes 1/2" – 3/4"</b>		
88003057	FP-RFK-BF-BMS-CFS	BMS Sensor Retrofit Connection Kit
88003061	FP-RFK-BF-CFS	Cellular Sensor Retrofit Connection Kit
<b>Sensor Retrofit Connection Kits for 009, LF009, LFU009, SS009, U009 sizes 1" – 1 1/2"</b>		
88003058	FP-RFK-BF-BMS-CFS	BMS Sensor Retrofit Connection Kit
88003062	FP-RFK-BF-CFS	Cellular Sensor Retrofit Connection Kit
<b>Sensor Retrofit Connection Kits for 009, LF009, LFU009, U009 sizes 2"</b>		
88003059	FP-RFK-BF-BMS-CFS	BMS Sensor Retrofit Connection Kit
88003063	FP-RFK-BF-CFS	Cellular Sensor Retrofit Connection Kit



1 1/4" – 2"

ORDERING CODE	KIT NO.	SIZE
---------------	---------	------

### First Check Kits

0887300	RK 009M2 CK1	1 1/4" – 1 1/2"
0887270	RK 009M1 CK1	1 1/4" – 2"
0887006	RK 009 CK1	1 1/4" – 2"
0887010	RK 009 CK1SS	1 1/4" – 2"
0887272	RK 009M1 CK1SS	1 1/4" – 2"
0887540	RK 009M2 CK1	2"

Kit consists of: first check assembly, cover O-ring and sensing passage O-ring.

### Second Check Kits

0887301	RK 009M2 CK2	1 1/4" – 1 1/2"
0887271	RK 009M1 CK2	1 1/4" – 2"
0887008	RK 009 CK2	1 1/4" – 2"
0887012	RK 009 CK2SS	1 1/4" – 2"
0887273	RK 009M1 CK2SS	1 1/4" – 2"
0887541	RK 009M2 CK2	2"

Kit consists of: second check assembly, cover O-ring and sensing passage O-ring.

### First Check Rubber Parts Kits

0887304	RK 009M2 RC1	1 1/4" – 1 1/2"
0887274	RK 009M1 RC1	1 1/4" – 2"
0887018	RK 009 RC1	1 1/4" – 2"
0887542	RK 009M2 RC1	2"

Kit consists of: first check assembly O-ring, disc holder assembly, cover O-ring and sensing passage O-ring.

### Second Check Rubber Parts Kits

0887305	RK 009M2 RC2	1 1/4" – 1 1/2"
0887275	RK 009M1 RC2	1 1/4" – 2"
0887183	RK 009 RC2	1 1/4" – 2"
0887543	RK 009M2 RC2	2"

Kit consists of: second check assembly O-ring, disc holder assembly, cover O-ring and sensing passage O-ring.

\*The wetted surface of this product contacted by consumable water contains less than 0.25% of lead by weight.