

Series 709DCDA

Double Check Detector Assemblies

Sizes 3" – 10"

Repair Kits

When ordering specify Ordering Code, Kit No., and Valve Size.

	ORDERING CODE	KIT NO.	SIZE
First Check Kits			
LEAD FREE*	0794024	LFRK 709DCDA-CK1	3"
	0794025	LFRK 709DCDA-CK1	4"
	0794026	LFRK 709DCDA-CK1	**6"
	0794027	LFRK 709DCDA-CK1	8"
	0794028	LFRK 709DCDA-CK1	10"
Second Check Kits			
LEAD FREE*	0794029	LFRK 709DCDA-CK2	3"
	0794030	LFRK 709DCDA-CK2	4"
	0794031	LFRK 709DCDA-CK2	**6"
	0794032	LFRK 709DCDA-CK2	8"
	0794033	LFRK 709DCDA-CK2	10"

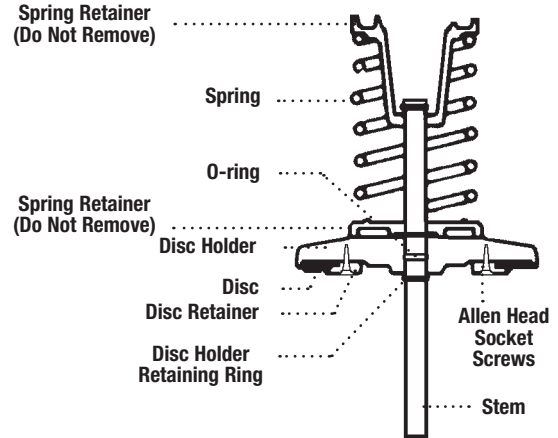
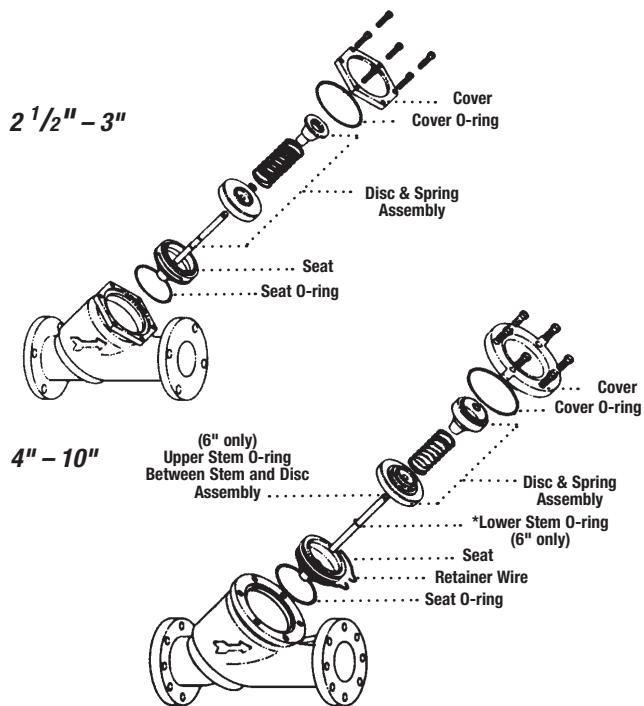
Kit consists of: disc assembly; spring and cover O-ring.

Rubber Parts (for one check)

	ORDERING CODE	KIT NO.	SIZE
LEAD FREE*	0887940	RK 709DCDA RC4	3"
	0887941	RK 709DCDA RC4	4"
	0887942	RK 709DCDA RC4	**6"
	0887943	RK 709DCDA RC4	8"
	0887944	RK 709DCDA RC4	10"

Kit consists of: disc and cover O-ring.

**6" also includes lower stem O-ring



⚠ WARNING

Spring assembly is factory assembled. DO NOT DISASSEMBLE.

	ORDERING CODE	KIT NO.	SIZE
Seat Kits			
LEAD FREE*	0794034	LFRK 709DCDA-S	3"
	0794035	LFRK 709DCDA-S	4"
	0794036	LFRK 709DCDA-S	6"
	0794037	LFRK 709DCDA-S	8"
	0794038	LFRK 709DCDA-S	10"

Kit consists of: seat; seat O-ring; cover O-ring and retainer wire.

Cover Kits

	ORDERING CODE	KIT NO.	SIZE
LEAD FREE*	0887950	RK 709DCDA C	3"
	0887951	RK 709DCDA C	4"
	0887952	RK 709DCDA C	6"
	0887953	RK 709DCDA C	8"
	0887954	RK 709DCDA C	10"

Kit consists of: cover and cover O-ring.

Complete Rubber Parts

	ORDERING CODE	KIT NO.	SIZE
LEAD FREE*	0887956	RK 709DCDA RT	3"
	0887957	RK 709DCDA RT	4"
	0887958	RK 709DCDA RT	**6"
	0887959	RK 709DCDA RT	8"
	0887960	RK 709DCDA RT	10"

Kit consists of: 2 discs and 2 cover O-rings.

**6" also includes upper and lower stem O-ring

*The wetted surface of this product contacted by consumable water contains less than 0.25% of lead by weight.