

Engineering Specification

Job Name _____ Contractor _____

Job Location _____ Approval _____

Engineer _____ Contractor's P.O. No. _____

Approval _____ Representative _____

Tag _____

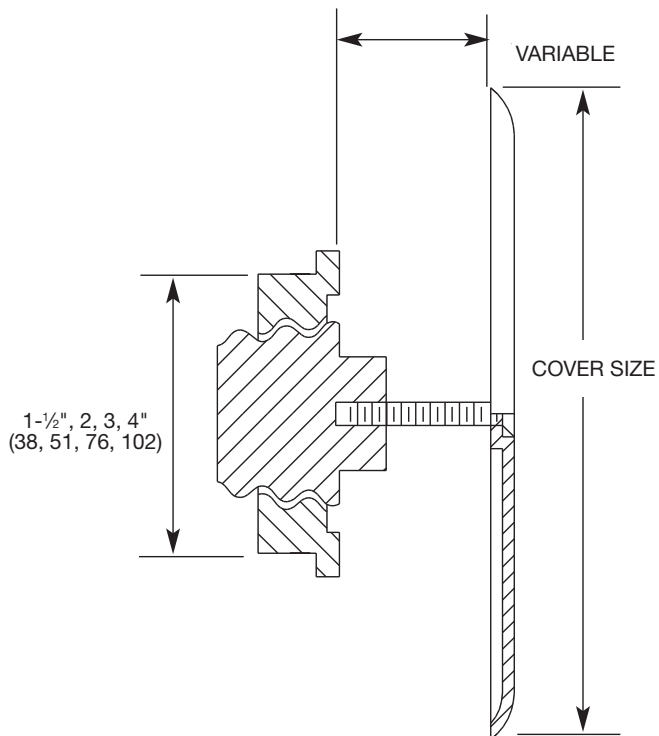
CO44 Poly Wall Cleanout

Specifications

Watts Light Commercial CO44 wall cleanout with poly plug with brass insert, stainless steel cover, and vandal proof stainless steel screws.



Pipe Size		
Suffix	Description	
-1.5	1-½(38)" Pipe	<input type="checkbox"/>
-2	2(51)" Pipe	<input type="checkbox"/>
-3	3(76)" Pipe	<input type="checkbox"/>
-4	4(102)" Pipe	<input type="checkbox"/>
-6	6(152)" Pipe	<input type="checkbox"/>



CO44

NOTICE

The information contained herein is not intended to replace the full product installation and safety information available or the experience of a trained product installer. You are required to thoroughly read all installation instructions and product safety information before beginning the installation of this product.

Watts product specifications in U.S. customary units and metric are approximate and are provided for reference only. For precise measurements, please contact Watts Technical Service. Watts reserves the right to change or modify product design, construction, specifications, or materials without prior notice and without incurring any obligation to make such changes and modifications on Watts products previously or subsequently sold.

