

# Engineering Specification

Job Name \_\_\_\_\_

Contractor \_\_\_\_\_

Job Location \_\_\_\_\_

Approval \_\_\_\_\_

Engineer \_\_\_\_\_

Contractor's P.O. No. \_\_\_\_\_

Approval \_\_\_\_\_

Representative \_\_\_\_\_

Tag \_\_\_\_\_

## CO12-SQ PVC/ABS Adjustable Floor Cleanout w/Square Top

### Specifications

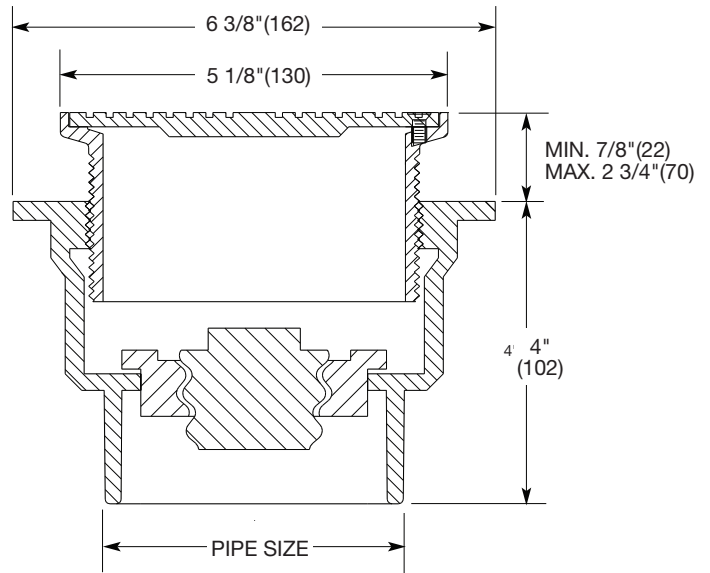
Watts Light Commercial CO12-SQ PVC or ABS solvent weld adjustable floor cleanout with square nickel bronze, ductile iron, or stainless steel non-skid top, and removable poly cleanout plug.



Pipe Size		
Suffix	Description	
-2PVC	2"(51) PVC	<input type="checkbox"/>
-2ABS	2"(51) ABS	<input type="checkbox"/>
-3PVC	3"(76) PVC	<input type="checkbox"/>
-3ABS	3"(76) ABS	<input type="checkbox"/>
-4PVC	4"(102) PVC	<input type="checkbox"/>
-4ABS	4"(102) ABS	<input type="checkbox"/>

Options		
Suffix	Description	
-NB	Nickel Bronze Top	<input type="checkbox"/>
-SS	Stainless Steel Top	<input type="checkbox"/>
-DI	Ductile Iron Top	<input type="checkbox"/>
-VP	Vandal Proof Screws	<input type="checkbox"/>

Load Rating
MD



**CO12-SQ**

### NOTICE

The load classifications are in accordance with the American National Standards ASME A112.21.1M ASME Ratings are as follows:  
MD - Safe Live Load 2000-4999 lbs.(900-2250 kg)  
The above categories are given as a guide only.  
Please consult factory.

### NOTICE

The information contained herein is not intended to replace the full product installation and safety information available or the experience of a trained product installer. You are required to thoroughly read all installation instructions and product safety information before beginning the installation of this product.

Watts product specifications in U.S. customary units and metric are approximate and are provided for reference only. For precise measurements, please contact Watts Technical Service. Watts reserves the right to change or modify product design, construction, specifications, or materials without prior notice and without incurring any obligation to make such changes and modifications on Watts products previously or subsequently sold.

