

For Residential and Commercial Applications

Job Name _____

Contractor _____

Job Location _____

Approval _____

Engineer _____

Contractor's P.O. No. _____

Approval _____

Representative _____

LEAD FREE*

Series LF305 Dielectric Unions

Size: 3/4" Male x Solder

Series LF305 dielectric unions feature a male iron pipe thread to copper solder connection. These unions are designed to be installed between pipe made from dissimilar metals to prevent accelerated corrosion and deterioration in the piping system due to galvanic and stray current. Designed and manufactured to the highest quality standards. Gasket rated to 210°F (99°) at 250psi (17.2 bar). The LF305 features Lead Free* construction to comply with Lead Free* installation requirements.

Specifications

The dielectric union shall be constructed using Lead Free* materials. Lead Free* dielectric unions shall comply with state codes and standards, where applicable, requiring reduced lead content. Dielectric unions shall be a Watts Series LF305.

Pressure — Temperature

Maximum Operating Pressure: 250psi (17.2 bar) WOG

Maximum Operating Temperature: -20°F – 210°F (-7°C – 99°C)

Approvals

Threads: Comply to ANSI B.1.20.1

Copper solder: Comply to ANSI B16-18

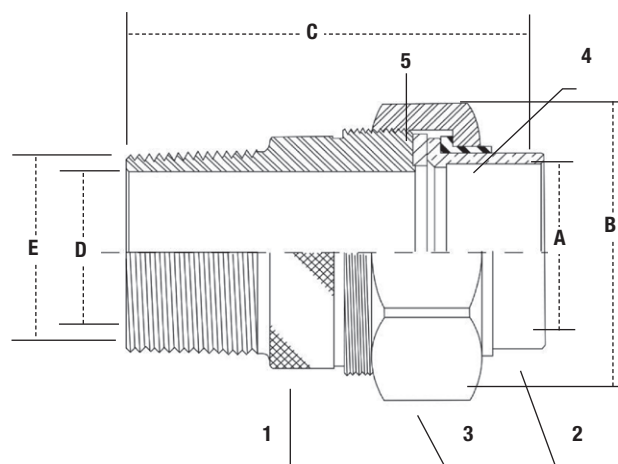
Materials

NO.	PART	MATERIAL
1	Body	Forged Steel A105
2	Tailpiece	Lead Free* Forged Brass
3	Union Nut	Forged Steel A105
4	Insulator	Plastic
5	Gasket	EPDM

*The wetted surface of this product contacted by consumable water contains less than 0.25% of lead by weight.



LF305



SIZE	DIMENSIONS										WEIGHTS	
	A		B		C		D		E		lbs	kgs.
in.	mm	in.	mm	in.	mm	in.	mm	in.	mm			
3/4"	7/8"	22	17/8"	47	2 15/16"	74	3/4"	20	3/4"	20	.50	.23

NOTICE

The information contained herein is not intended to replace the full product installation and safety information available or the experience of a trained product installer. You are required to thoroughly read all installation instructions and product safety information before beginning the installation of this product.

Watts product specifications in U.S. customary units and metric are approximate and are provided for reference only. For precise measurements, please contact Watts Technical Service. Watts reserves the right to change or modify product design, construction, specifications, or materials without prior notice and without incurring any obligation to make such changes and modifications on Watts products previously or subsequently sold.

USA: T: (978) 689-6066 • F: (978) 975-8350 • Watts.com

Canada: T: (905) 332-4090 • F: (905) 332-7068 • Watts.ca

Latin America: T: (52) 55-4122-0138 • Watts.com

ES-LF305 0940

© 2019 Watts