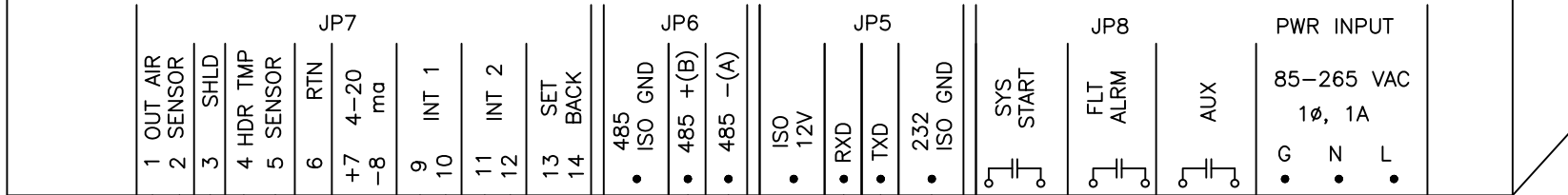
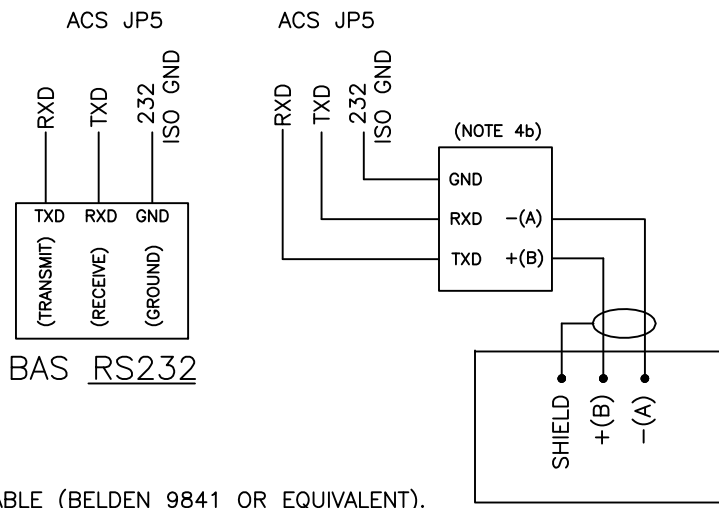
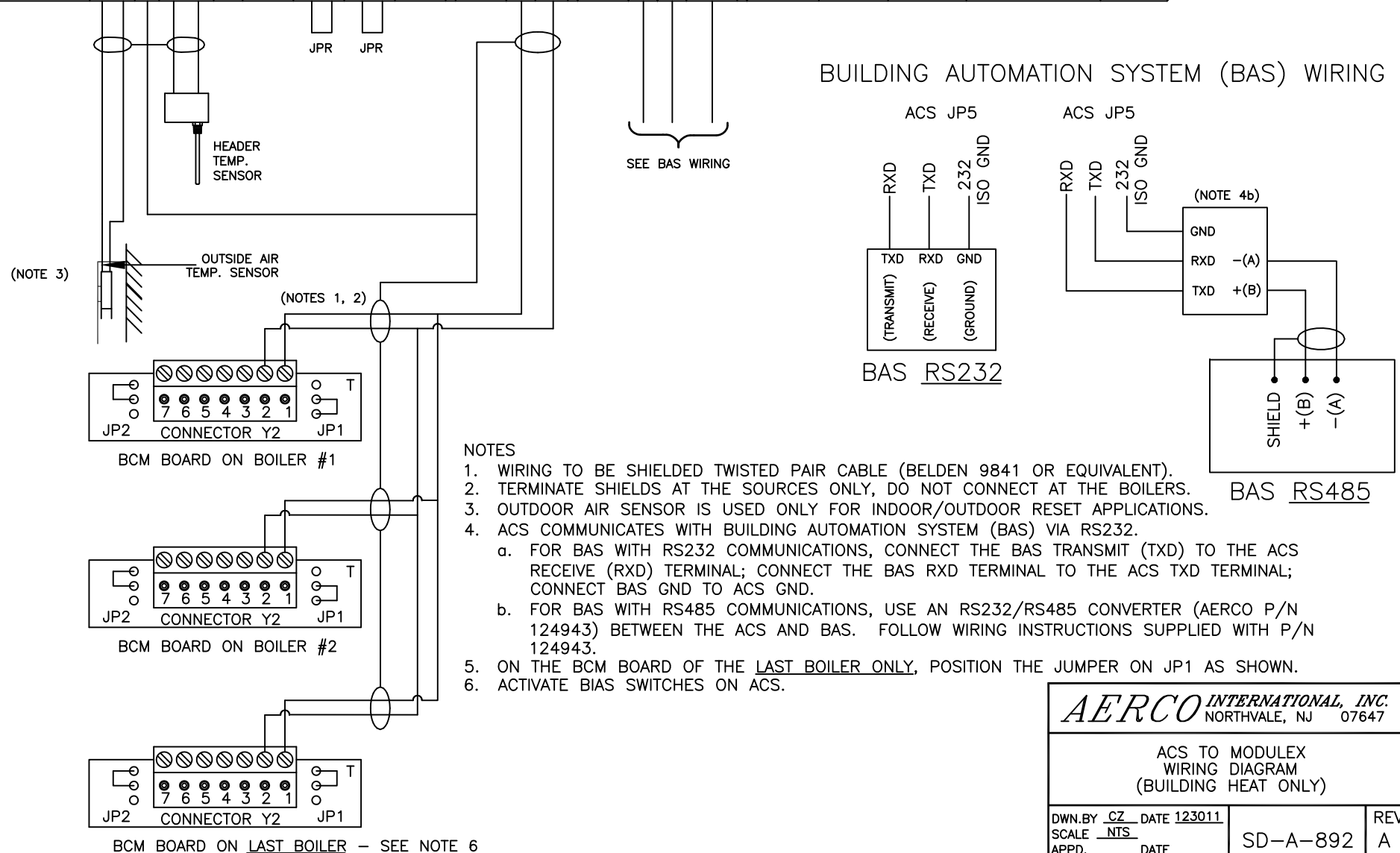


AERCO CONTROL SYSTEM



BUILDING AUTOMATION SYSTEM (BAS) WIRING



NOTES

1. WIRING TO BE SHIELDED TWISTED PAIR CABLE (BELDEN 9841 OR EQUIVALENT).
2. TERMINATE SHIELDS AT THE SOURCES ONLY, DO NOT CONNECT AT THE BOILERS.
3. OUTDOOR AIR SENSOR IS USED ONLY FOR INDOOR/OUTDOOR RESET APPLICATIONS.
4. ACS COMMUNICATES WITH BUILDING AUTOMATION SYSTEM (BAS) VIA RS232.
 - a. FOR BAS WITH RS232 COMMUNICATIONS, CONNECT THE BAS TRANSMIT (TXD) TO THE ACS RECEIVE (RXD) TERMINAL; CONNECT THE BAS RXD TERMINAL TO THE ACS TXD TERMINAL; CONNECT BAS GND TO ACS GND.
 - b. FOR BAS WITH RS485 COMMUNICATIONS, USE AN RS232/RS485 CONVERTER (AERCO P/N 124943) BETWEEN THE ACS AND BAS. FOLLOW WIRING INSTRUCTIONS SUPPLIED WITH P/N 124943.
5. ON THE BCM BOARD OF THE LAST BOILER ONLY, POSITION THE JUMPER ON JP1 AS SHOWN.
6. ACTIVATE BIAS SWITCHES ON ACS.

AERCO INTERNATIONAL, INC. NORTHVALE, NJ 07647		
ACS TO MODULEX WIRING DIAGRAM (BUILDING HEAT ONLY)		
DWN. BY <u>CZ</u> DATE <u>123011</u>		REV. <u>A</u>
SCALE <u>NTS</u>		
APPD. _____ DATE _____	SD-A-892	

BCM BOARD ON LAST BOILER - SEE NOTE 6