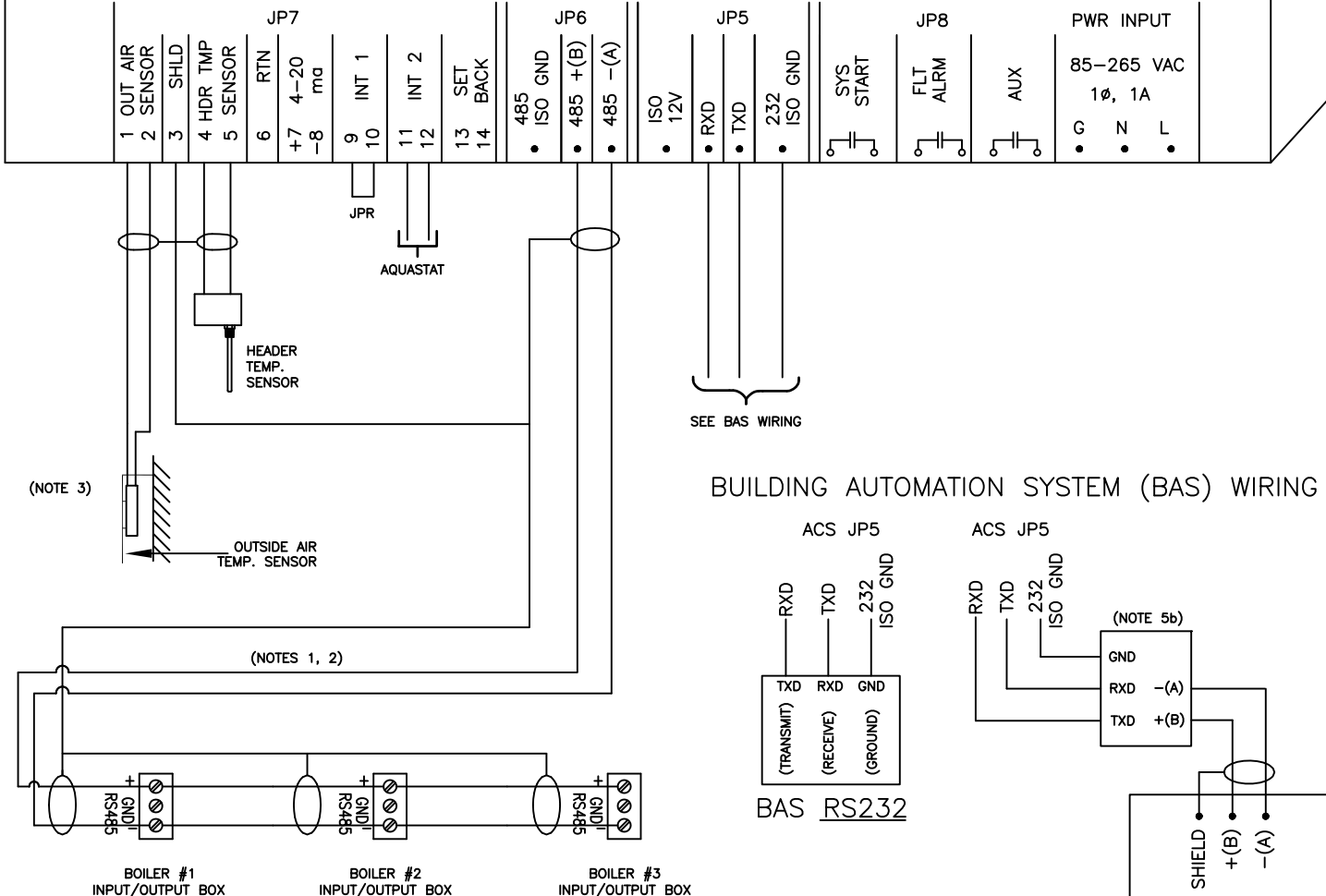
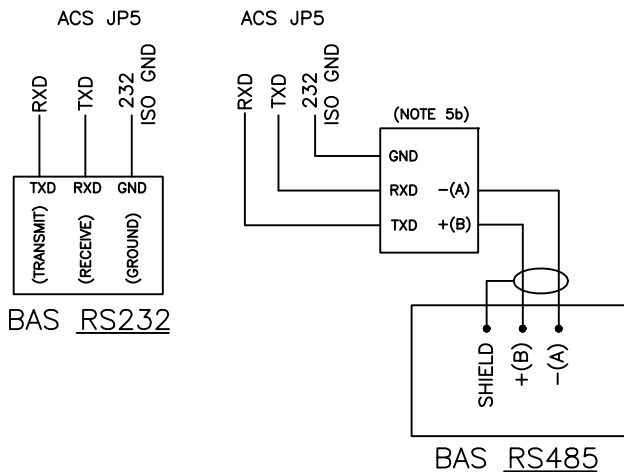


AERCO CONTROL SYSTEM



BUILDING AUTOMATION SYSTEM (BAS) WIRING



NOTES

1. WIRING TO BE SHIELDED TWISTED PAIR CABLE (BELDEN 9841 OR EQUIVALENT).
2. TERMINATE SHIELDS AT THE SOURCES ONLY, DO NOT CONNECT AT THE BOILERS.
3. OUTDOOR AIR SENSOR IS USED ONLY FOR INDOOR/OUTDOOR RESET APPLICATIONS.
4. SEE COMBINATION HEATING/DOMESTIC WATER HEATING APPLICATIONS GUIDE TAG-0050 AND PIPING DIAGRAMS SD-A-912 AND SD-A-882 FOR COMPLETE APPLICATION DETAILS.
5. ACS COMMUNICATES WITH BUILDING AUTOMATION SYSTEM (BAS) VIA RS232.
 - a. FOR BAS WITH RS232 COMMUNICATIONS, CONNECT THE BAS TRANSMIT (TXD) TO THE ACS RECEIVE (RXD) TERMINAL; CONNECT THE BAS RXD TERMINAL TO THE ACS TXD TERMINAL; CONNECT BAS GND TO ACS GND.
 - b. FOR BAS WITH RS485 COMMUNICATIONS, USE AN RS232/RS485 CONVERTER (AERCO P/N 124943) BETWEEN THE ACS AND BAS. FOLLOW WIRING INSTRUCTIONS SUPPLIED WITH P/N 124943.
6. SEE ACS MANUAL GF-131 FOR AVAILABLE METHODS OF ACTIVATING THE BIAS AND TERMINATION OF THE RS485 LOOP.

AERCO INTERNATIONAL, INC.
NORTHVALE, NJ 07647

ACS WIRING DIAGRAM (C-More SYSTEMS)
HEADER TEMP BOOST APPLICATION

DWN. BY CZ DATE 010612
SCALE NTS
APPD. _____ DATE _____

SD-A-883

REV.
A