

Engineering Specification

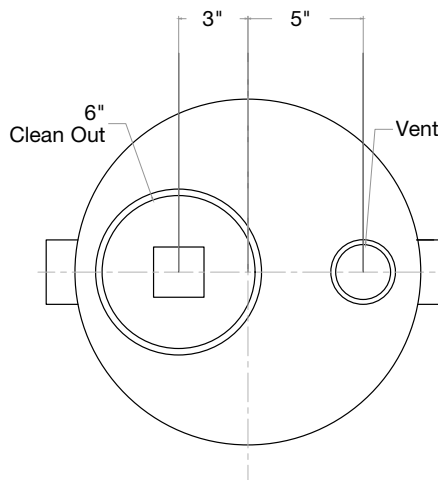
Job Name _____
 Orion Representative _____
 Quantity of Tanks _____

Contractor Signature _____
 Approval Date _____
 Contractor's P.O. No. _____

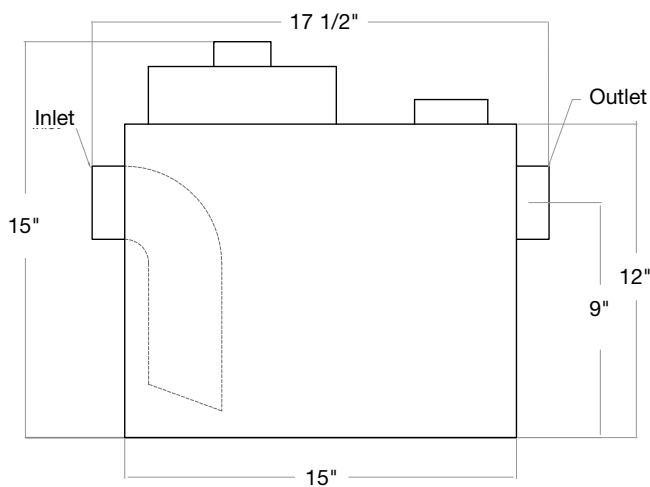
T9 Point-of-Use Dilution Tank

Specification

Orion T9 POU 5 USG Tank shall be cylindrical seamless, stress and defect free, rotationally molded construction including integral cover to uniform wall thickness from virgin PE resins conforming to ASTM D 1248, with **single FIP inlet with dip tube, outlet and vent, plus top 6" cleanout as standard.** All penetrations shall be heat fused to tank wall.



Tank Selection		
Select	Part No.	Description
<input type="checkbox"/>	735000	One 1.5" FIP Side Inlet, One 1.5" FIP Side Outlet
<input type="checkbox"/>	735003	One 2" FIP Side Inlet, One 2" FIP Side Outlet



NOTICE

The information contained herein is not intended to replace the full product installation and safety information available or the experience of a trained product installer. You are required to thoroughly read all installation instructions and product safety information before beginning the installation of this product.

Note: Tanks are made to ± 0.25 in. tolerance.

Please verify all selections with your local Orion rep - tank products and accessory equipment are non-returnable.

Orion Fittings product specifications in U.S. customary units and metric are approximate and are provided for reference only. For precise measurements, please contact Orion Fittings Technical Service. Orion Fittings reserves the right to change or modify product design, construction, specifications, or materials without prior notice and without incurring any obligation to make such changes and modifications on Orion Fittings products previously or subsequently sold.



USA: T: (800) 334-6259 • OrionFittings.com
 Canada: T: (888) 208-8927 • OrionFittings.ca
 Latin America: T: (52) 55-4122-0138 • OrionFittings.com

A WATTS Brand