

Engineering Specification

Job Name _____

Contractor Signature _____

Orion Representative _____

Approval Date _____

Quantity Required _____

Contractor's P.O. No. _____

Please e-mail your signed and completed submittal, tank quote and purchase order to oriontanks@wattswater.com.

T16 Bolted Top Sampling Tank

Specification

Orion T16 sampling tank shall be **5 USG, 11" diameter x 16.25" height**, cylindrical, seamless, stress and defect free, rotationally molded construction to uniform wall thickness from virgin PE resins conforming to ASTM D 1248, with **single FIP inlet and outlet as standard**. All penetrations shall be heat fused to tank wall. **Non-load bearing flat cover shall be bolted and gasketed to tank** and shall have centrally located NeutraGuard pH probe insertion assembly.

Connection Locations/Sizes

Standard Locations:

Inlet-at 9:00.

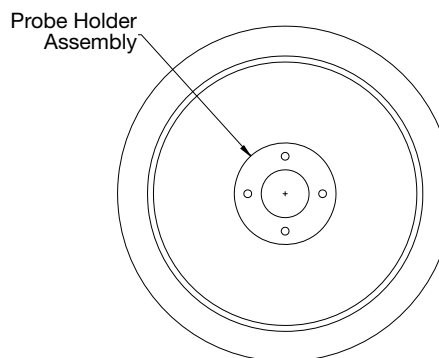
Outlet-at 3:00.

Available Sizes:

Indicate 2", 3", 4", or 6" in corresponding connection-type box.

Inlet Outlet

SELECTION (CHECK ONE)	CONNECTION, COVER & SUPPORT OPTIONS
<input type="checkbox"/>	Optional No Hub Connections (FIP Std.)
<input type="checkbox"/>	Optional Flanged Connections (FIP Std.)
<input type="checkbox"/>	3/4" Plastic Cover
<input type="checkbox"/>	Tank Anchor Flange
<input type="checkbox"/>	Reinforcing Anchor Flange
<input type="checkbox"/>	Fiberglass Wrap*



TANK EXTENSION

If required height exceeds standard height (16.25") an extension will be required. Please consult Orion Technical Support.

Note: See T5-EXT-5G submittal for T16 tank extensions.

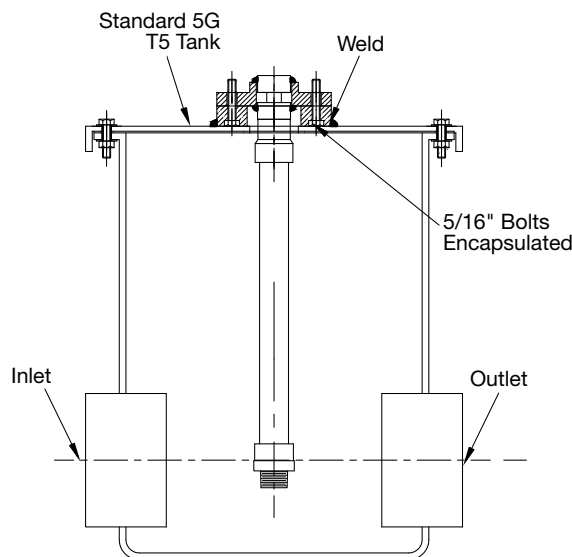
Note: Tanks are made to ±0.25 in. tolerance.

Please verify all selections with your local Orion rep - tank products and accessory equipment are non-returnable.

* **⚠ CALIFORNIA PROP 65 WARNING:** This product can expose you to chemicals including benzene which is known to the State of California to cause cancer and birth defects or other reproductive harm. For more information go to www.P65Warnings.ca.gov.

NOTICE

The information contained herein is not intended to replace the full product installation and safety information available or the experience of a trained product installer. You are required to thoroughly read all installation instructions and product safety information before beginning the installation of this product.



Orion Fittings product specifications in U.S. customary units and metric are approximate and are provided for reference only. For precise measurements, please contact Orion Fittings Technical Service. Orion Fittings reserves the right to change or modify product design, construction, specifications, or materials without prior notice and without incurring any obligation to make such changes and modifications on Orion Fittings products previously or subsequently sold.



A WATTS Brand

USA: T: (800) 334-6259 • OrionFittings.com

Canada: T: (888) 208-8927 • OrionFittings.ca

Latin America: T: (52) 55-4122-0138 • OrionFittings.com

