

Engineering Specification

Job Name _____

Contractor Signature _____

Orion Representative _____

Approval Date _____

Quantity of Tanks _____

Contractor's P.O. No. _____

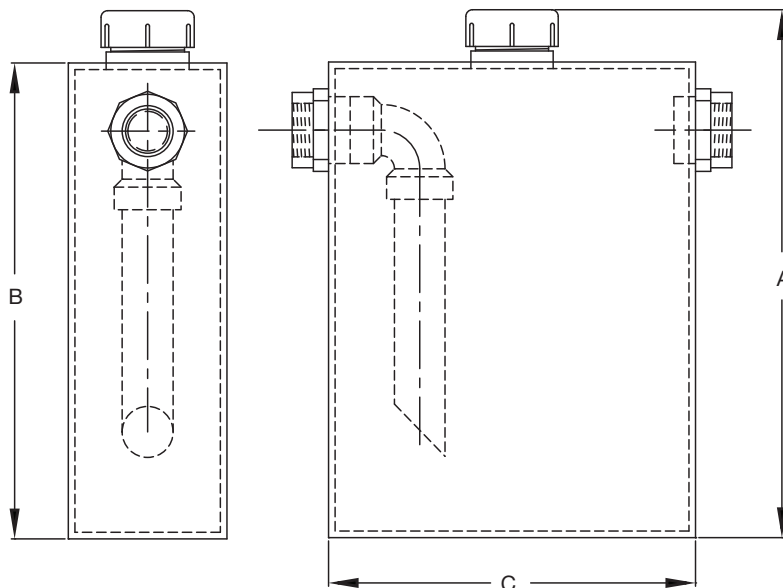
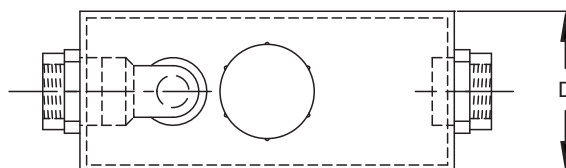
T13 Point-of-Use Bookshelf Tank

Specification

Orion T13 POU Bookshelf Tank shall be rectangular seamless, stress and defect free, rotationally molded construction to uniform wall thickness from virgin PE resins conforming to ASTM D 1248, with **single FIP inlet with dip tube, single FIP outlet, and single 3" top threaded cleanout with cap.**

Tank Selection (Check One)		
Part No.	Description	
<input type="checkbox"/> 902339	One 1.5" FIP Side Inlet, One 1.5" FIP Side Outlet, 3 USG	
<input type="checkbox"/> 736900	One 2" FIP Side Inlet, One 2" FIP Side Outlet, 3 USG	
<input type="checkbox"/> 902529	One 1.5" FIP Side Inlet, One 1.5" FIP Side Outlet, 5 USG	
<input type="checkbox"/> 736901	One 2" FIP Side Inlet, One 2" FIP Side Outlet, 5 USG	

Gallons	A	B	C	D
	In.	In.	In.	In.
3	14.20	12.00	12.00	5.63
5	20.20	18.00	14.00	6.00



Note: Tanks are made to ± 0.25 in. tolerance.

NOTICE

The information contained herein is not intended to replace the full product installation and safety information available or the experience of a trained product installer. You are required to thoroughly read all installation instructions and product safety information before beginning the installation of this product.

Please verify all selections with your local Orion rep - tank products and accessory equipment are non-returnable.

Orion Fittings product specifications in U.S. customary units and metric are approximate and are provided for reference only. For precise measurements, please contact Orion Fittings Technical Service. Orion Fittings reserves the right to change or modify product design, construction, specifications, or materials without prior notice and without incurring any obligation to make such changes and modifications on Orion Fittings products previously or subsequently sold.



USA: T: (800) 334-6259 • OrionFittings.com

Canada: T: (888) 208-8927 • F: (905) 481-2316 • OrionFittings.ca

Latin America: T: (52) 55-4122-0138 • OrionFittings.com

A WATTS Brand