

Engineering Specification

Job Name _____

Contractor Signature _____

Orion Representative _____

Approval Date _____

Quantity of Tanks _____

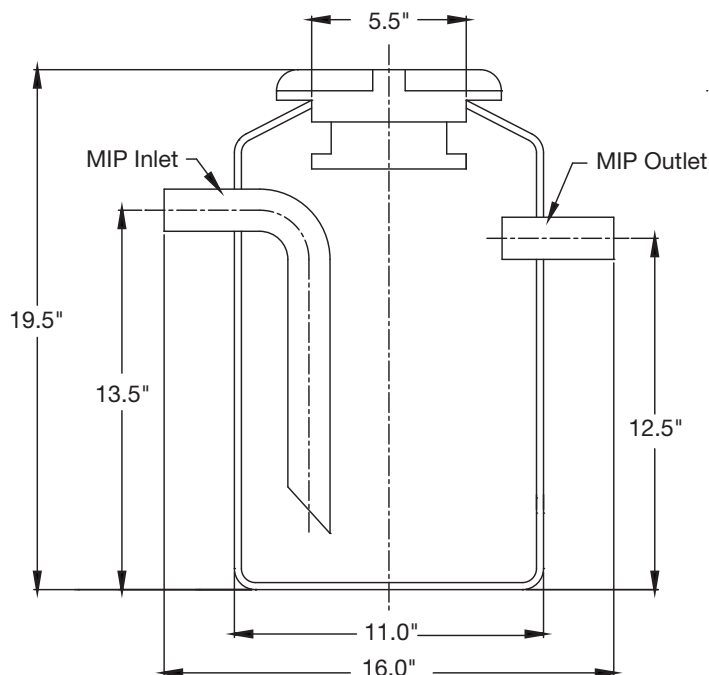
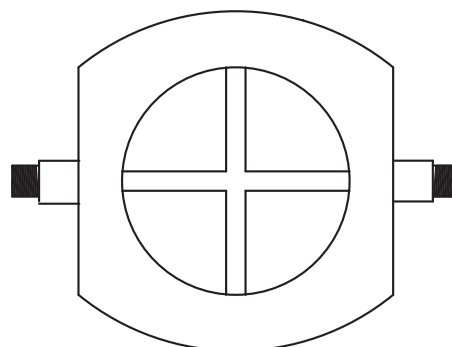
Contractor's P.O. No. _____

T12 Dilution Tank

Specification

Orion T12 POU 6 USG Dilution Tank shall be cylindrical seamless, stress and defect free, rotationally molded construction to uniform wall thickness from virgin PE resins conforming to ASTM D 1248, with **single side MIP inlet with dip tube, and single MIP outlet as standard**. All penetrations shall be heat fused to tank wall. **Tank cover shall be quick start gasketed lock-down cover.**

Tank Selection (Check One)		
Part No.	Description	
<input type="checkbox"/> 736503	One 1.5" MIP Side Inlet, One 1.5" MIP Side Outlet	
<input type="checkbox"/> 736504	One 2" MIP Side Inlet, One 2" MIP Side Outlet	



Note: Tanks are made to ±0.25 in. tolerance.

NOTICE

The information contained herein is not intended to replace the full product installation and safety information available or the experience of a trained product installer. You are required to thoroughly read all installation instructions and product safety information before beginning the installation of this product.

Orion Fittings product specifications in U.S. customary units and metric are approximate and are provided for reference only. For precise measurements, please contact Orion Fittings Technical Service. Orion Fittings reserves the right to change or modify product design, construction, specifications, or materials without prior notice and without incurring any obligation to make such changes and modifications on Orion Fittings products previously or subsequently sold.



Please verify all selections with your local Orion rep - tank products and accessory equipment are non-returnable.

A WATTS Brand

USA: T: (800) 334-6259 • OrionFittings.com

Canada: T: (888) 208-8927 • F: (905) 481-2316 • OrionFittings.ca

Latin America: T: (52) 55-4122-0138 • OrionFittings.com