

- NOTES:
- ALL DIMENSIONS SHOWN IN TABLE ARE IN INCHES, UNLESS OTHERWISE NOTED & ARE ± 1 INCH (25MM).
 - ALL PLUMBING ITEMS SHOWN IN INSTALLATION DRAWING ARE TO BE PROVIDED BY OTHERS.
 - ALL DIMENSIONS ARE SUBJECT TO CHANGE WITHOUT ANY NOTICE.
 - INSTALL UNIONS FITTINGS ON INLET, OUTLET & DRAIN PLUMBING CONNECTIONS.
 - PROVIDE A 36 INCH MINIMUM CLEARANCE ABOVE FILTER HOUSING LID FOR REPLACING FILTER CARTRIDGE.
 - FOR INSTALLATIONS USING METAL PLUMBING, CONNECT A METAL BONDING STRAP TO INLET & OUTLET METAL PLUMBING TO MAINTAIN ELECTRICAL CONTINUITY.
 - ATTACH FLOW MONITOR TO CLEAN SURFACE USING HARDWARE PROVIDED.
 - INSTALL FLOW METER WITH ARROW POINTING IN THE DIRECTION OF WATER FLOW.
 - DO NOT INSTALL DRAIN LINE DIRECTLY TO A DRAIN. FOR PROPER DRAIN CONNECTION FOLLOW ALL NATIONAL, STATE AND LOCAL CODES. CONSTRUCT DRAIN LINE IN A MANNER THAT ALLOWS WATER RETAINED WITHIN FILTER HOUSING TO BE EMPTIED.
 - THE FULL WEIGHT OF THE PIPING AND VALVES MUST BE SUPPORTED BY PIPE HANGERS OR OTHER MEANS.
 - INLET AND OUTLET HEADERS NEED TO BE SIZED ACCORDING TO FLOW RATE REQUIREMENTS BY OTHERS.
 - LIMIT INLET PRESSURE TO NOT EXCEED MAXIMUM PUBLISHED OPERATING PRESSURE.
 - 3/8" ANCHOR BOLTS (3EA) FOR CONCRETE ARE SUPPLIED. FOR OTHER FLOOR TYPES, MOUNTING HARDWARE IS INSTALLER SUPPLIED.
 - POWER REQUIREMENTS: 115V/60Hz <0.4 AMP UNLESS OTHERWISE SPECIFIED.
 - A GFCI EQUIPT ELECTRICAL OUTLET SHOULD BE PROVIDED WITHIN 5 FEET OF FLOW MONITOR MOUNTING LOCATION.
 - INSTALL FLOW METER IN TREATED OUTLET LINE WITH THE ARROW POINTING IN THE DIRECTION OF WATER FLOW.
 - ANCHOR MONITOR TO MOUNTING SURFACE WITH PROVIDED HARDWARE.

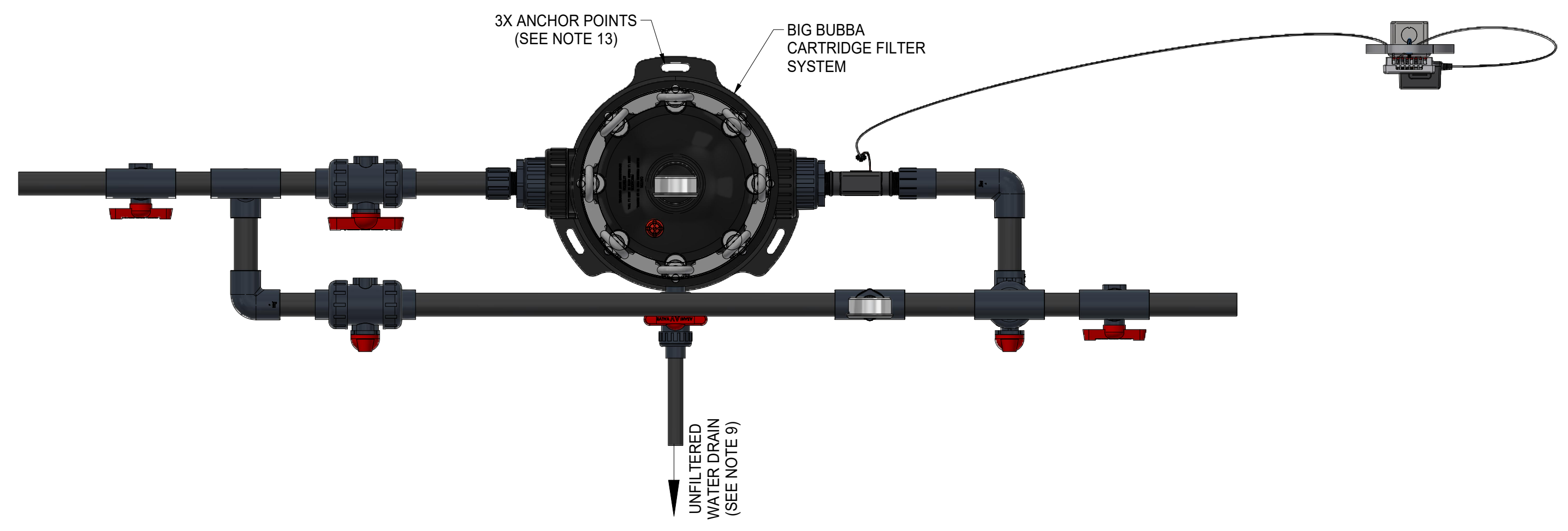
MODEL BB-S101 BIG BUBBA CARTRIDGE FILTER SYSTEM DIMENSION (INCHES) & SPECIFICATIONS															
MODEL NO.	ORDERING CODES (EDP NO.)	INLET	OUTLET	OVERALL HEIGHT (SEE NOTE 5)	OVERALL DEPTH	OVERALL WIDTH	INLET/OUTLET PIPE SIZE (NPT)	UNFILTERED WATER DRAIN CONN. SIZE (FNPT)	PRESSURE DROP @ 4GPM SERVICE FLOW RATE	REPLACEMENT FILTER CARTRIDGE MODEL NO.	NUMBER OF FILTER CARTRIDGES IN SYSTEM	MIN/MAX OPERATING TEMP F°	MIN/MAX OPERATING PRESSURE (PSI)	ESTIMATED OPERATING WEIGHT (LBS)	ESTIMATED SHIPPING WEIGHT (LBS)
BB-S101	7100996	21.6	3.9	42.6	14.2	22.3	1.0	0.5	7.5 PSID	BB-C100	1.0	34/125 (125°F @ 80 PSI)	25/125	125.00	66.00

WATTS
 815 CHESTNUT ST.
 NORTH ANDOVER, MA 01845

THIS DRAWING DISCLOSES CONFIDENTIAL AND OTHER DATA OF A PROPRIETARY NATURE OWNED BY WATTS WATER TECHNOLOGIES, INC. AND MAY NOT BE USED OR DISCLOSED TO OTHERS WITHOUT THE PRIOR WRITTEN CONSENT OF WATTS WATER TECHNOLOGIES, INC.

DWG BY: JR
 CHD BY: RL
 DATE: 2/24/2021
 DATE: 2/24/2021
 SCALE: NTS
 SHEET: 1 OF 1
 SUPERSEDES: SEE TABLE

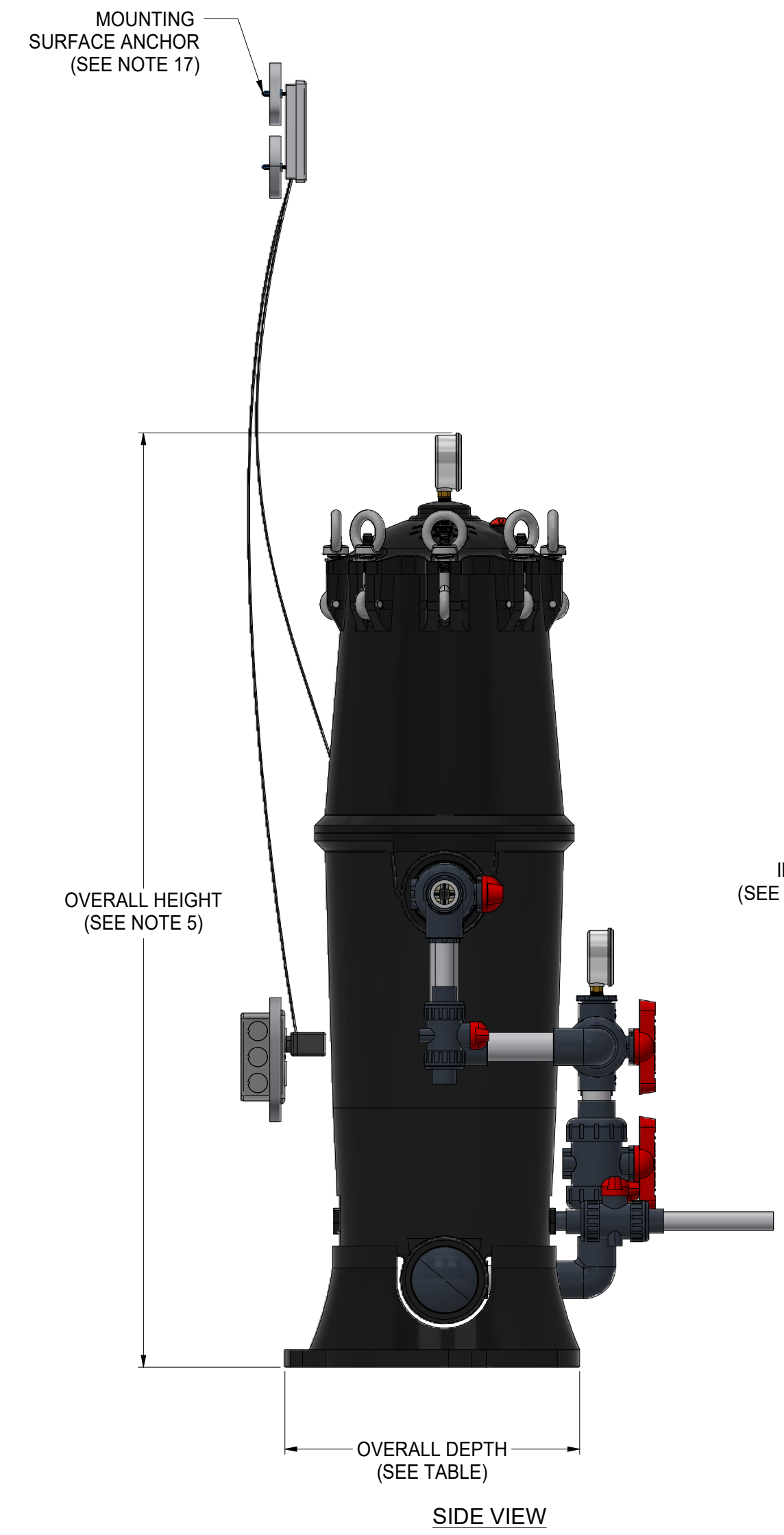
LIMITS UNLESS SPECIFIED		TITLE: GENERAL INSTALLATION, MODEL BB-S101 CARTRIDGE FILTER SYSTEM		PART NO.: SEE TABLE	
FRACTIONAL	ANGULAR	MATERIAL: N/A	EDP NO.: SEE TABLE	SIZE: D	REV: 1
1/16"	1/2°	OTHER: ESTIMATED WEIGHT: SEE TABLE	FILE TYPE: CAD		



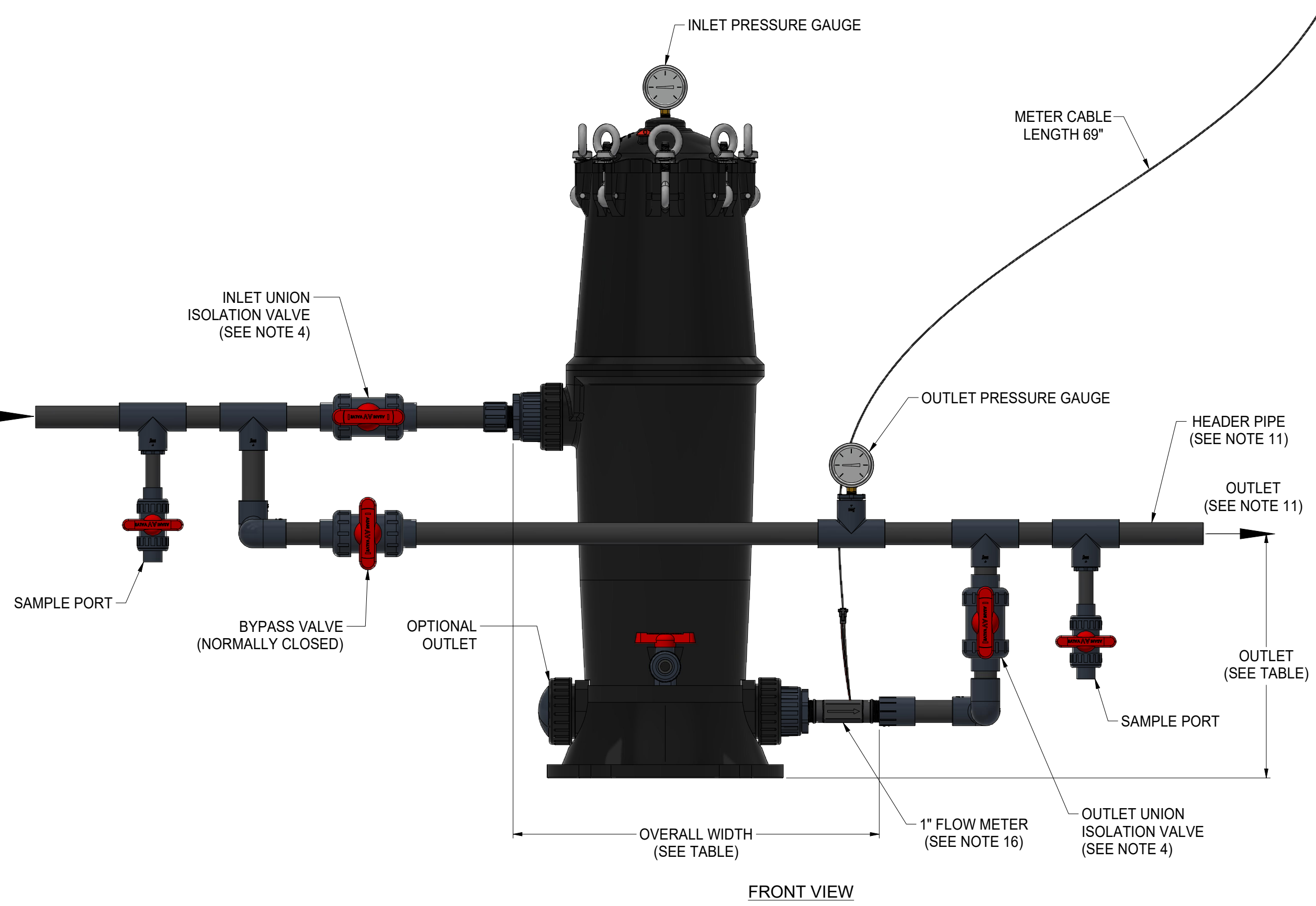
TOP VIEW



ISOMETRIC VIEW



SIDE VIEW



FRONT VIEW

CLIENT PROJECT SIGN-OFF	
JOB NAME:	
JOB LOCATION:	
CONTRACTOR:	
CONTRACTOR APPROVAL:	
CONTRACTOR APPROVAL DATE:	
CONTRACTOR PO NO:	
ENGINEER:	
ENGINEER APPROVAL:	
ENGINEER APPROVAL DATE:	