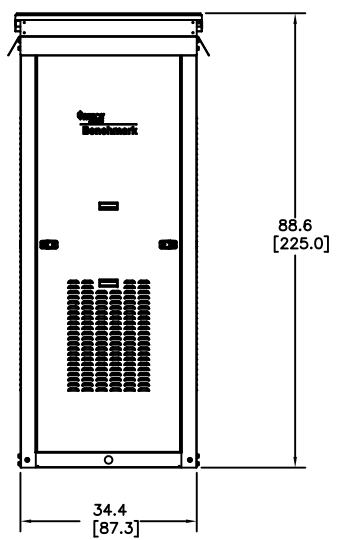
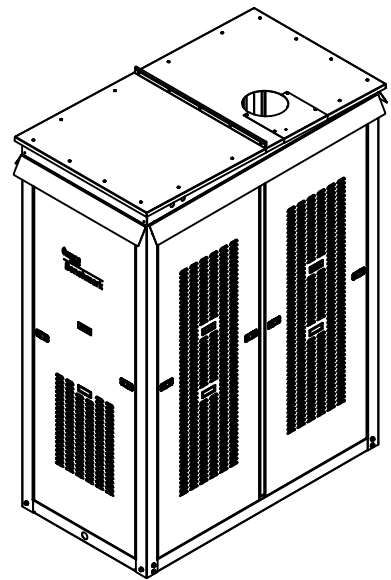
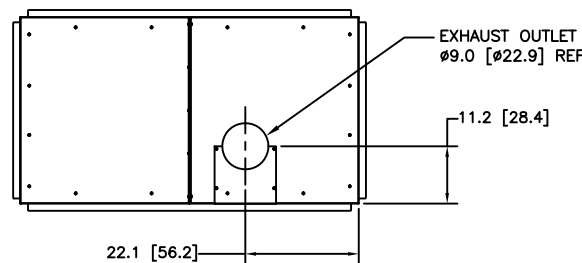
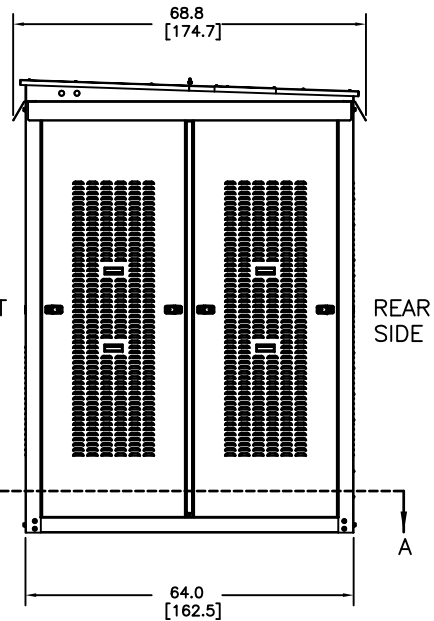


SECTION A-A

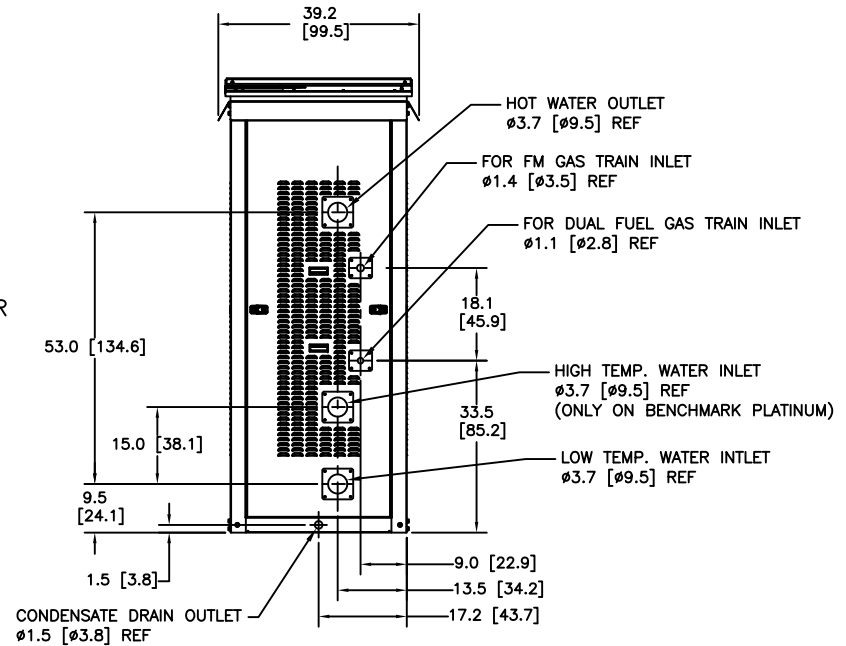
12x $\phi$ .312 [ $\phi$ 0.8]  
ANCHORING/MOUNTING  
HOLES



FRONT  
SIDE



REAR  
SIDE



- NOTES:
- 1) ALL DIMENSIONS SHOWN ARE IN INCHES [CENTIMETERS].
  - 2) AERCO RESERVES THE RIGHT TO MODIFY DIMENSIONS WITHOUT PRIOR NOTICE.
  - 3) BENCHMARK OUTDOOR INSTALLATION TEMPERATURE RANGE: 40°F–110°F (4°C–43°C). IF THERE IS ANY RISK OF BRIEF FREEZING CONDITIONS, CONDENSATE LINES MUST BE HEAT TRACED AND BOILER FREEZE PROTECTION ENABLED.
  - 4) ENCLOSURE IS TO BE MOUNTED/ANCHORED ON BOILER HOUSEKEEPING PAD.
  - 5) SEE TID-0231 FOR INSTALLATION INSTRUCTIONS.

	100 ORITANI DRIVE BLAUVELT, NY 10913 aerco.com	
	BENCHMARK/BENCHMARK PLATINUM 750/1000 UNIT OUTDOOR ENCLOSURE DIMENSIONAL DRAWING	
DWN.BY_K.S. DATE 012022	SCALE_NTS_SIZE _____	AP-A-1074 A
CHKD.____APPD.____	REV.DATE _____	