

Watts Radiant

Radiant Floors & Snowmelting
 Ph: 417/864.6108
 Fax: 417/864.8161

GENERAL NOTES:

These diagrams typify factory-assembled manifolds. Field assembled manifolds must use Watts Heatway barb and connections components. Failure to use Watts Heatway materials may violate warranty. Refer to Submittal and/or Master Specification for more detailed information.

SPECIFIER INFORMATION:

MANIFOLD TYPE:

CAST BRASS

PIPING:

- Residential Heating
 Commercial Snowmelting
 Floor Warming
 Other _____

Zone(s): _____

Base Trunk Size: 1" 1-1/4"

No. of Barbs: _____

Tubing/Barb Size:

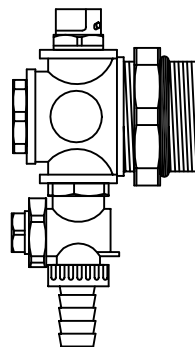
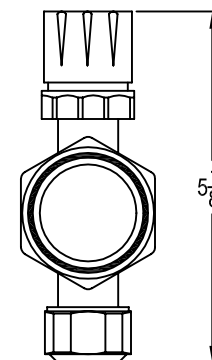
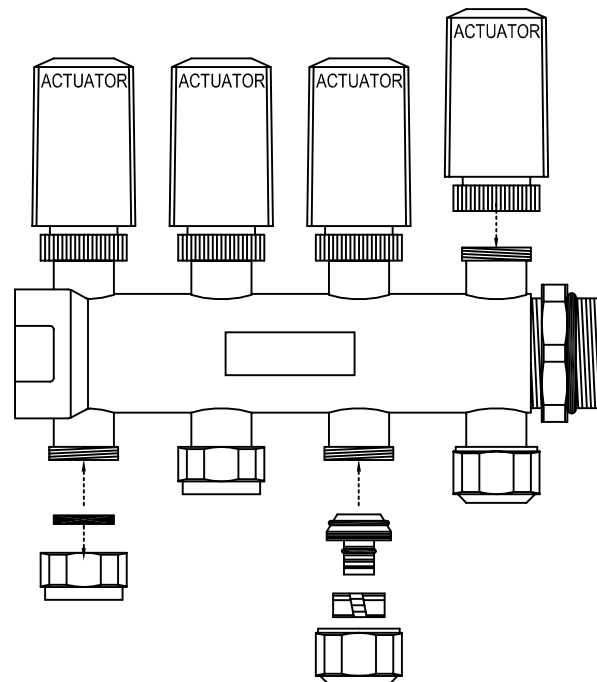
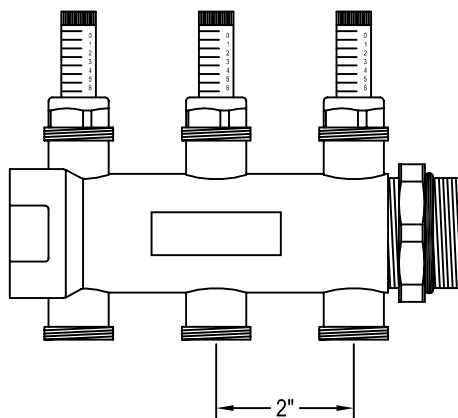
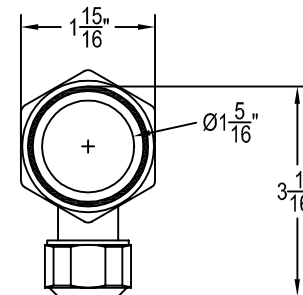
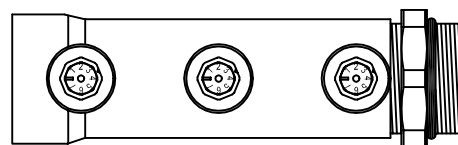
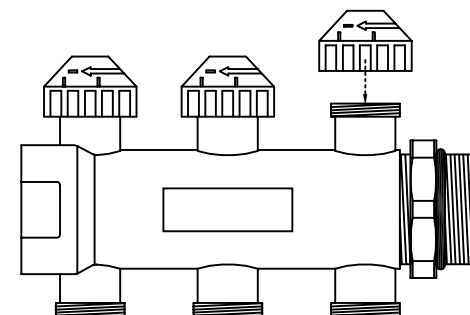
- 3/8" 1/2" 5/8"
 3/4" 1"

Accessories:

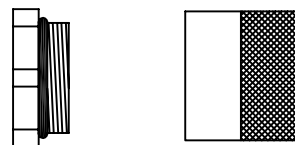
- Unions
 Vent/Purge Assembly
 Trunk Isolation Valve
 Balancing Valves - Supply
 Balancing Valves - Return
 No Balancing

Connections:

- Crimp Fittings
 SlideLock Fittings
 Compression Fittings



Vent/Purge End Assembly



End Cap and Transitional Fitting

Watts Radiant

Radiant Floors & Snowmelting

Ph: 417/864.6108

Fax: 417/864.8161

GENERAL NOTES:

These diagrams typify factory-assembled manifolds. Field assembled manifolds must use Watts Heatway barb and connections components. Failure to use Watts Heatway materials may violate warranty. Refer to Submittal and/or Master Specification for more detailed information.

SPECIFIER INFORMATION:

MANIFOLD TYPE:

STAINLESS STEEL

PIPING:

- Residential Heating
 Commercial Snowmelting
 Floor Warming
 Other _____

Zone(s): _____
 Base Trunk Size: 1" 1-1/4"
 No. of Barbs: _____

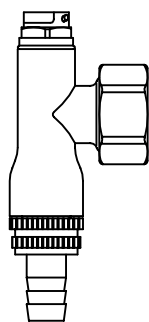
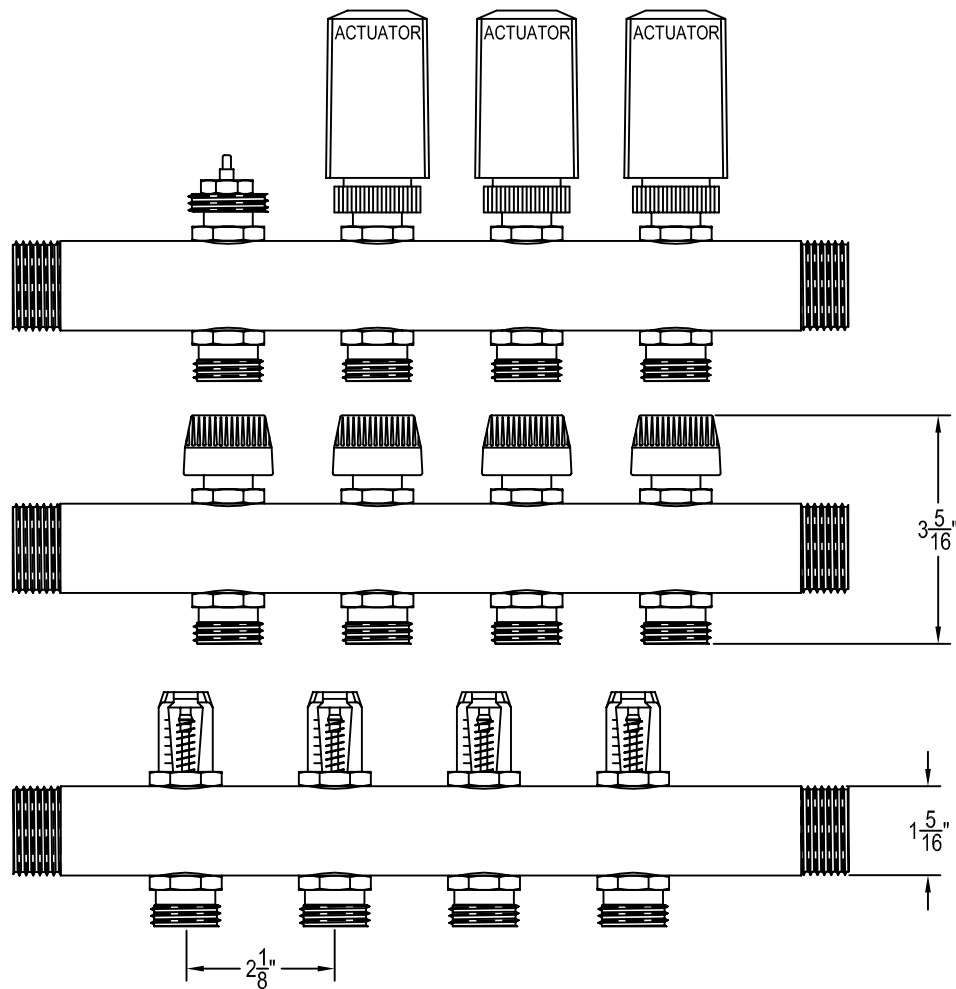
Tubing/Barb Size:
 3/8" 1/2" 5/8"
 3/4" 1"

Accessories:

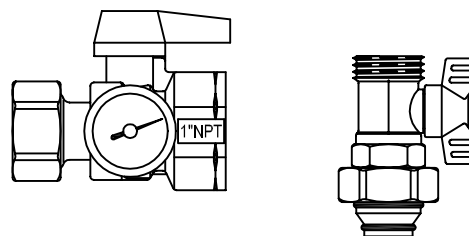
- Unions
 Vent/Purge Assembly
 Trunk Isolation Valve
 Balancing Valves - Supply
 Balancing Valves - Return
 No Balancing

Connections:

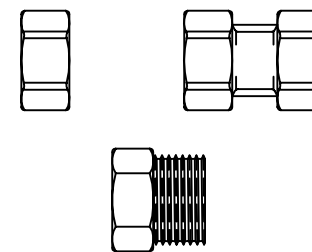
- Crimp Fittings
 SlideLock Fittings
 Compression Fittings



Vent/Purge End Assembly



Trunk and Circuit Valves



End Cap, Coupling and Transitional Fitting

Watts Radiant

Radiant Floors & Snowmelting
 Ph: 417/864.6108
 Fax: 417/864.8161

GENERAL NOTES:

These diagrams typify factory-assembled manifolds. Field assembled manifolds must use Watts Heatway barb and connections components. Failure to use Watts Heatway materials may violate warranty. Refer to Submittal and/or Master Specification for more detailed information.

SPECIFIER INFORMATION:

MANIFOLD TYPE:

ONIX STANDARD

ONIX PIPING:

- | | |
|--------------------------------------|--|
| <input type="checkbox"/> Residential | <input type="checkbox"/> Heating |
| <input type="checkbox"/> Commercial | <input type="checkbox"/> Snowmelting |
| | <input type="checkbox"/> Floor Warming |
| <input type="checkbox"/> Other _____ | |

Zone(s): _____

Base Trunk Size: 1" 1-1/4"

No. of Barbs: _____

Tubing/Barb Size:

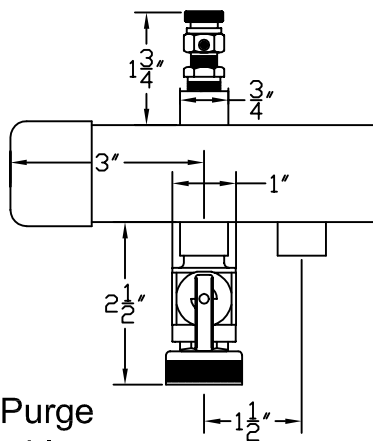
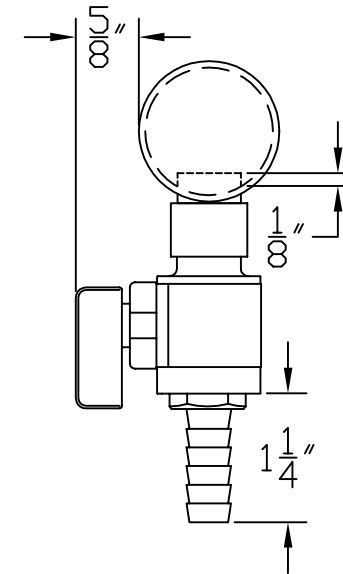
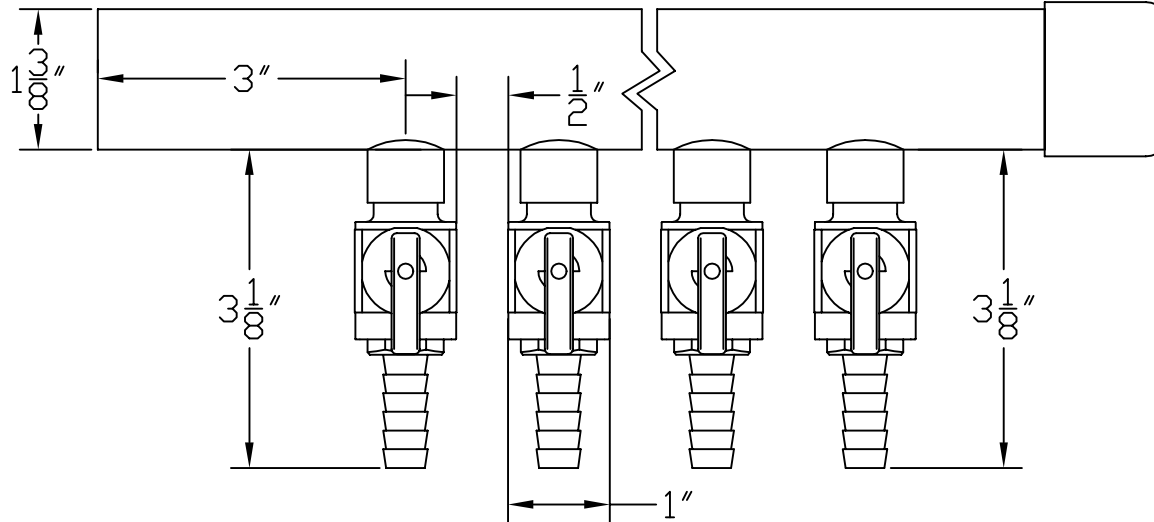
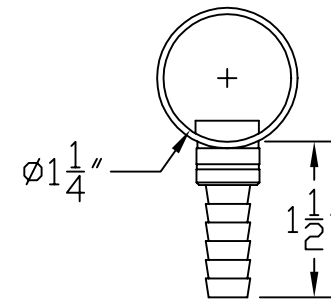
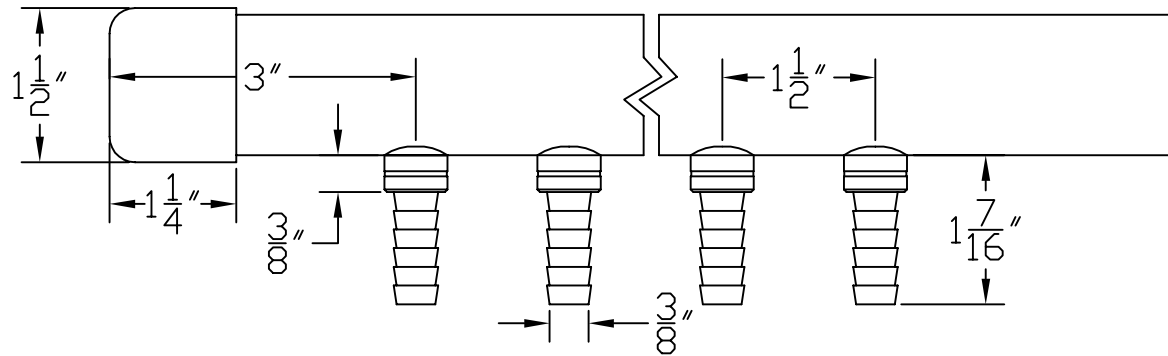
- | | | |
|--|-------------------------------|-------------------------------|
| <input checked="" type="checkbox"/> 3/8" | <input type="checkbox"/> 1/2" | <input type="checkbox"/> 5/8" |
| <input type="checkbox"/> 3/4" | <input type="checkbox"/> 1" | |

Accessories:

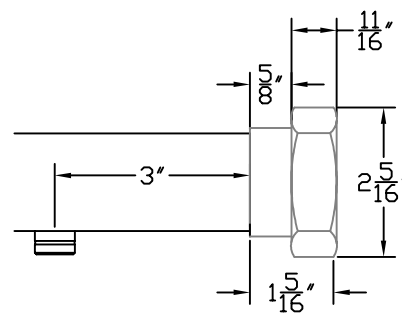
- Unions
- Vent/Purge Assembly
- Trunk Isolation Valve
- Balancing Valves - Supply
- Balancing Valves - Return
- No Balancing

Connections:

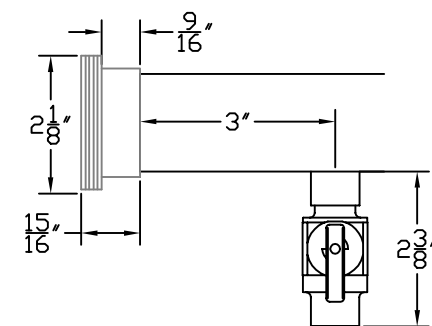
- SelfTite Clamps
- SureTork Clamps



Vent/Purge Assembly



Female Union Assembly



Male Union Assembly

Watts Radiant

Radiant Floors & Snowmelting
 Ph: 417/864.6108
 Fax: 417/864.8161

GENERAL NOTES:

These diagrams typify factory-assembled manifolds. Field assembled manifolds must use Watts Heatway barb and connections components. Failure to use Watts Heatway materials may violate warranty. Refer to Submittal and/or Master Specification for more detailed information.

SPECIFIER INFORMATION:

MANIFOLD TYPE:

ONIX STANDARD

ONIX PIPING:

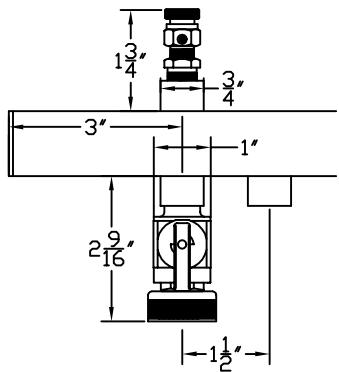
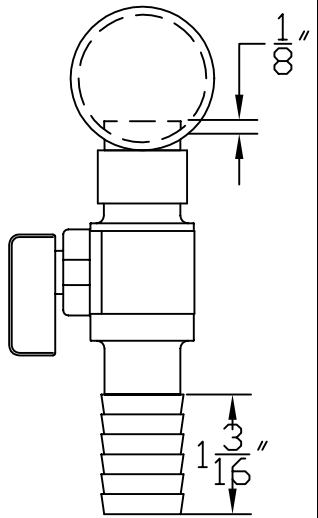
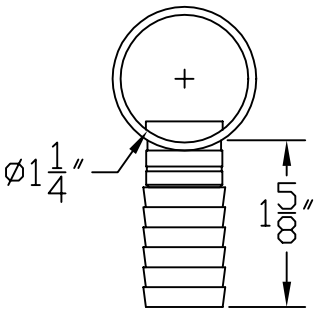
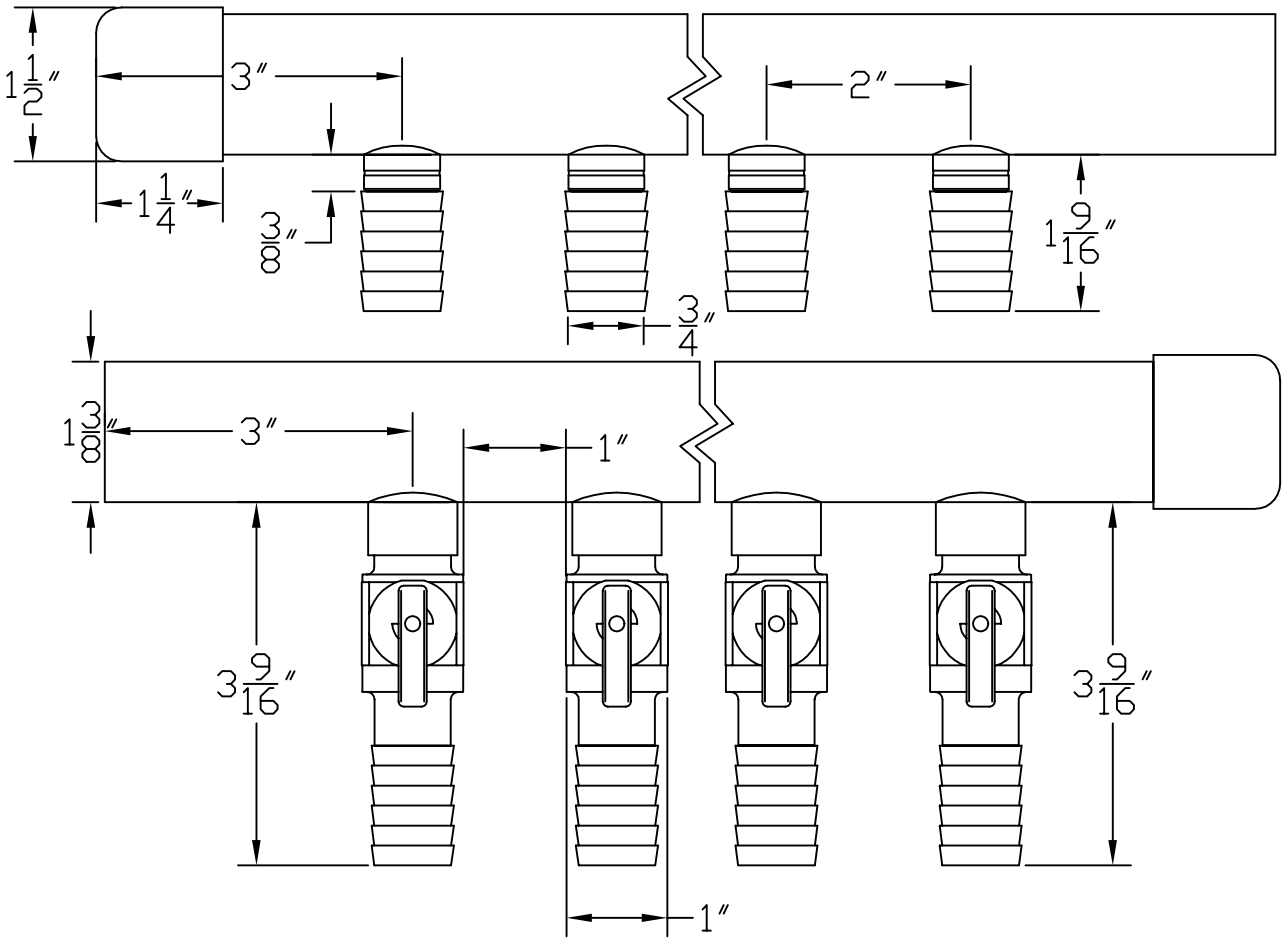
- Residential
- Commercial
- Other _____
- Heating
- Snowmelting
- Floor Warming

Zone(s): _____
 Base Trunk Size: 1" 1-1/4"
 No. of Barbs: _____

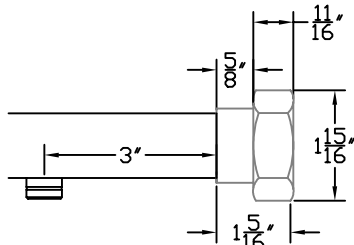
Tubing/Barb Size:
 3/8" 1/2" 5/8"
 3/4" 1"

- Accessories:**
- Unions
 - Vent/Purge Assembly
 - Trunk Isolation Valve
 - Balancing Valves - Supply
 - Balancing Valves - Return
 - No Balancing

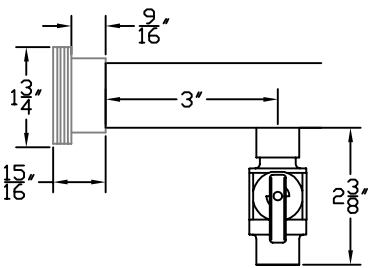
- Connections:**
- SelfTite Clamps
 - SureTork Clamps



Vent/Purge Assembly: Supply



Female Union Assembly: Supply



Male Union Assembly: Return

Watts Radiant

Radiant Floors & Snowmelting
 Ph: 417/864.6108
 Fax: 417/864.8161

GENERAL NOTES:

These diagrams typify factory-assembled manifolds. Field assembled manifolds must use Watts Heatway barb and connections components. Failure to use Watts Heatway materials may violate warranty. Refer to Submittal and/or Master Specification for more detailed information.

SPECIFIER INFORMATION:

MANIFOLD TYPE:

ONIX STANDARD

ONIX PIPING:

- Residential Heating
 Commercial Snowmelting
 Floor Warming
 Other _____

Zone(s): _____

Base Trunk Size: 1" 1-1/4"

No. of Barbs: _____

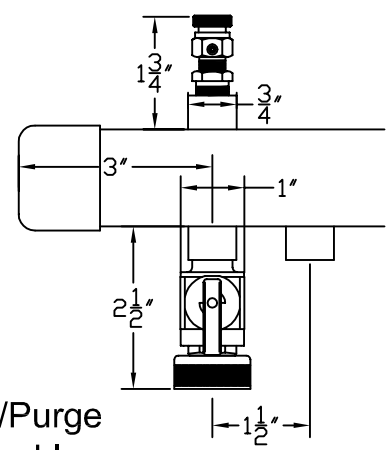
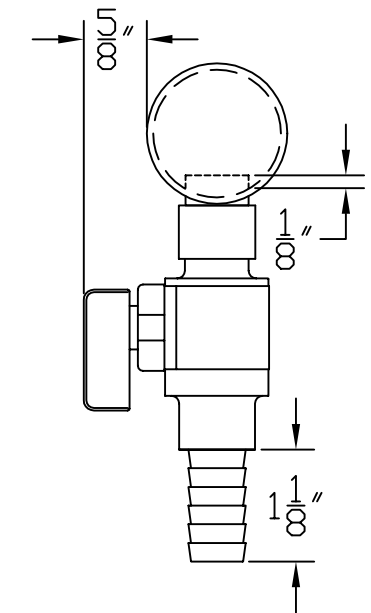
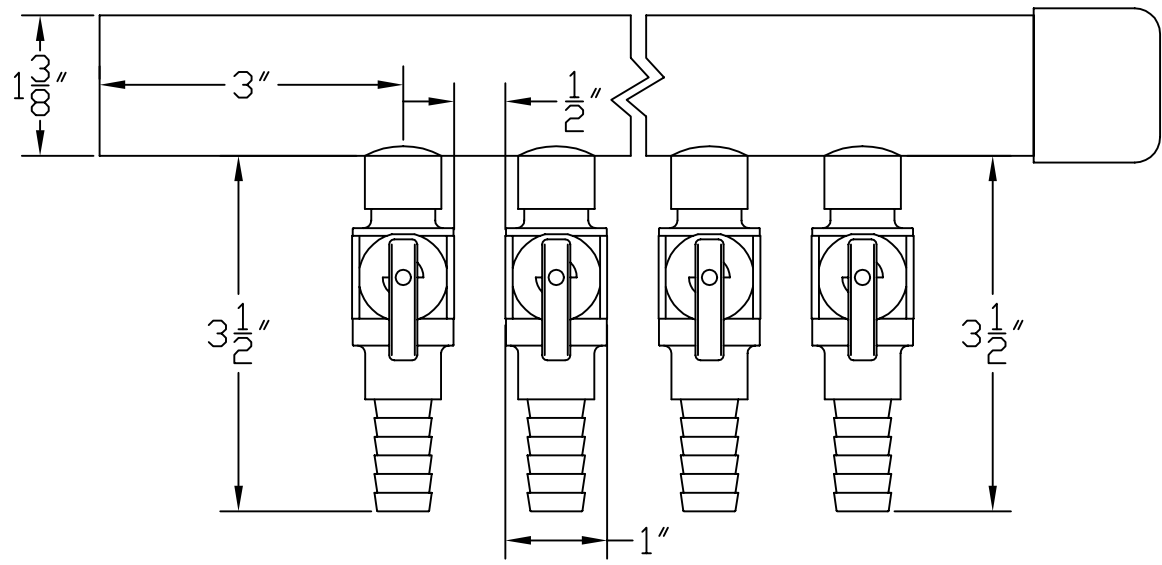
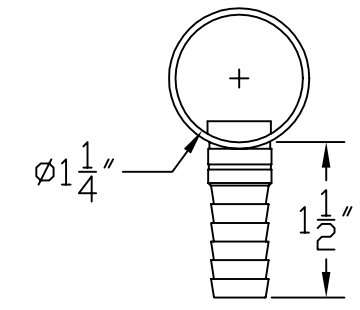
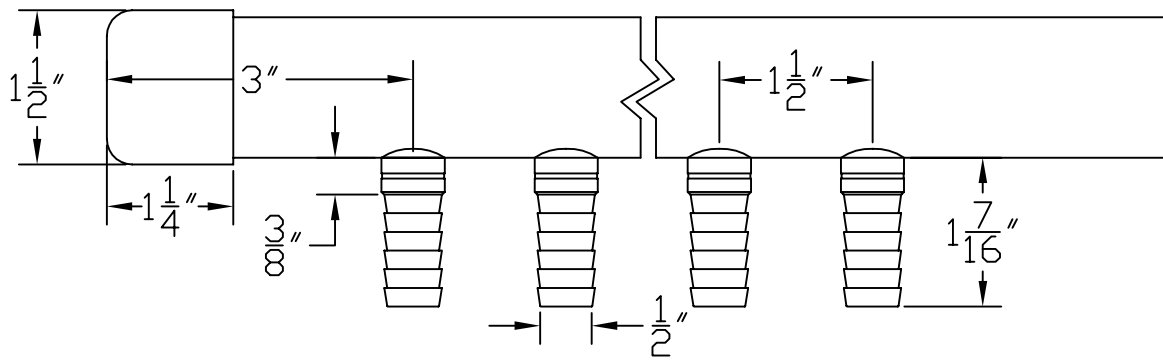
Tubing/Barb Size:
 3/8" 1/2" 5/8"
 3/4" 1"

Accessories:

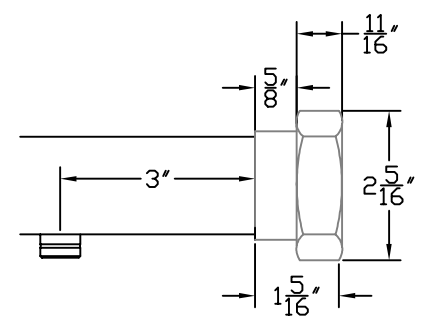
- Unions
 Vent/Purge Assembly
 Trunk Isolation Valve
 Balancing Valves - Supply
 Balancing Valves - Return
 No Balancing

Connections:

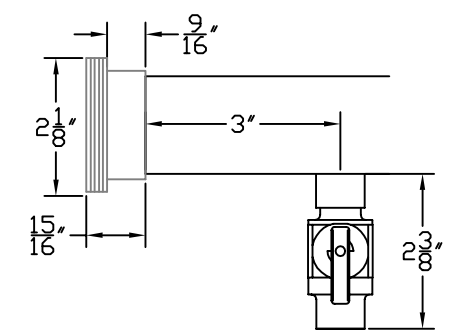
- SelfTite Clamps
 SureTork Clamps



Vent/Purge Assembly



Female Union Assembly



Male Union Assembly

Watts Radiant

Radiant Floors & Snowmelting
 Ph: 417/864.6108
 Fax: 417/864.8161

GENERAL NOTES:

These diagrams typify factory-assembled manifolds. Field assembled manifolds must use Watts Heatway barb and connections components. Failure to use Watts Heatway materials may violate warranty. Refer to Submittal and/or Master Specification for more detailed information.

SPECIFIER INFORMATION:

MANIFOLD TYPE:

ONIX STANDARD

ONIX PIPING:

- | | |
|--------------------------------------|--|
| <input type="checkbox"/> Residential | <input type="checkbox"/> Heating |
| <input type="checkbox"/> Commercial | <input type="checkbox"/> Snowmelting |
| | <input type="checkbox"/> Floor Warming |
| <input type="checkbox"/> Other _____ | |

Zone(s): _____

Base Trunk Size: 1" 1-1/4"

No. of Barbs: _____

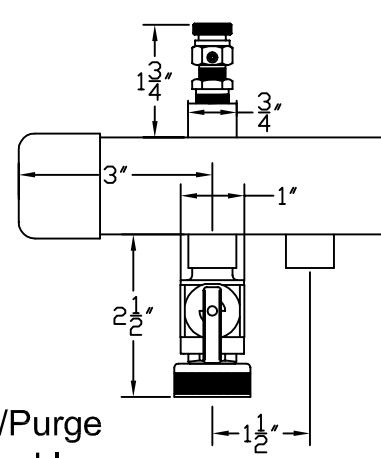
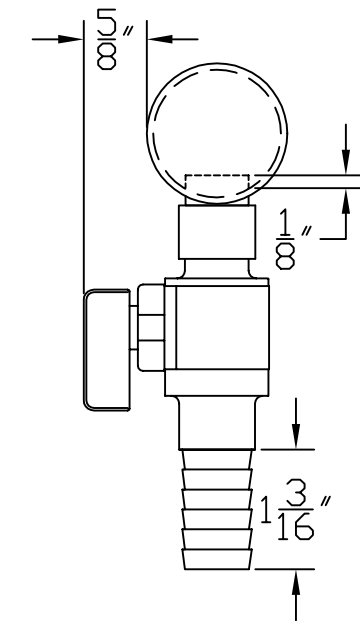
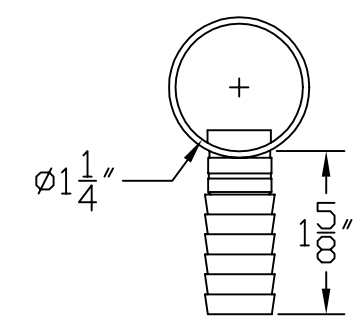
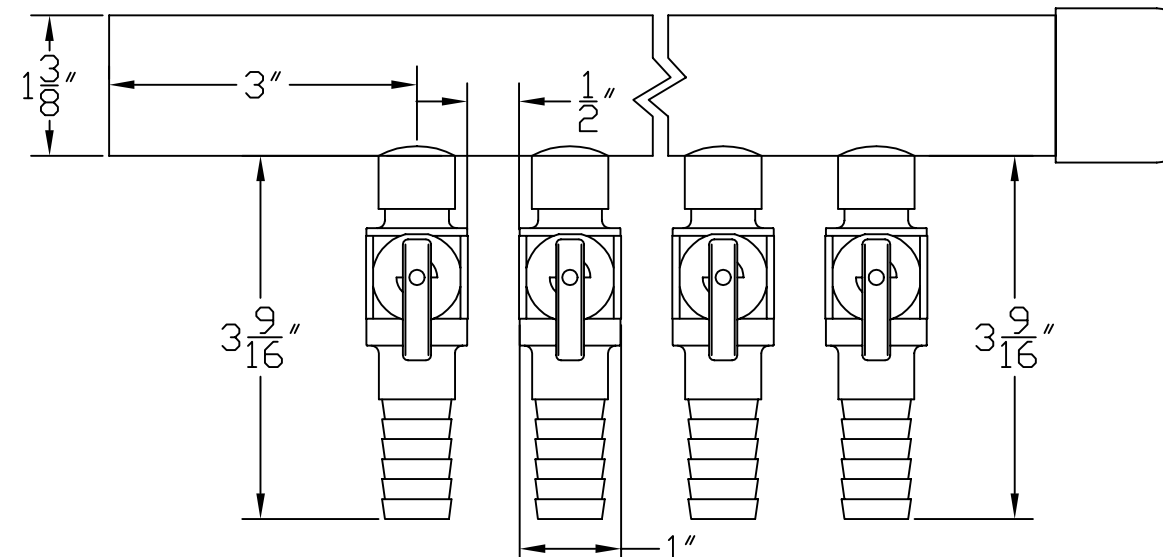
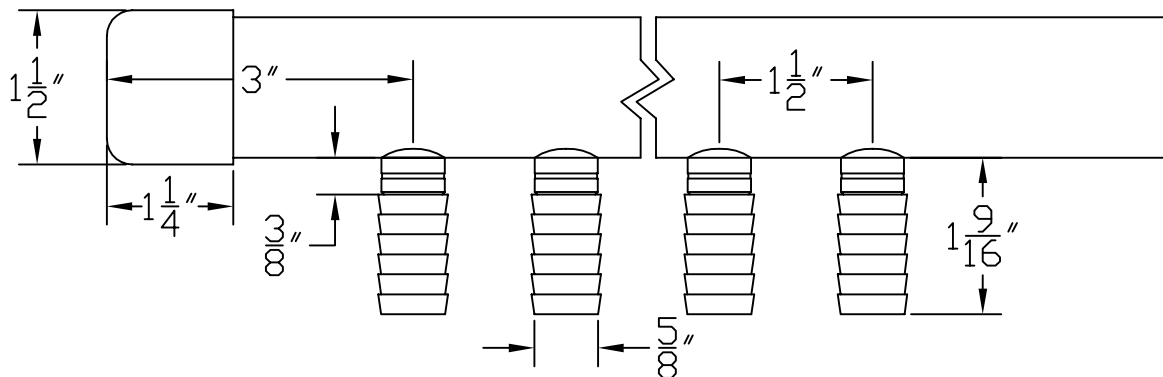
Tubing/Barb Size:
 3/8" 1/2" 5/8"
 3/4" 1"

Accessories:

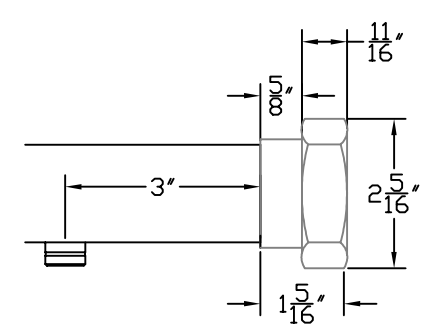
- Unions
- Vent/Purge Assembly
- Trunk Isolation Valve
- Balancing Valves - Supply
- Balancing Valves - Return
- No Balancing

Connections:

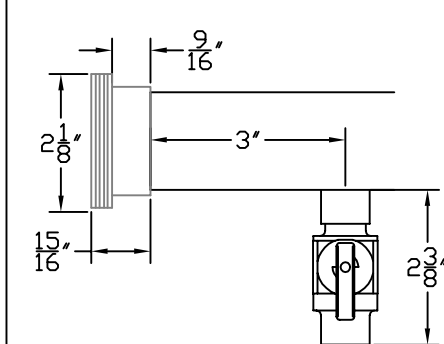
- SelfTite Clamps
- SureTork Clamps



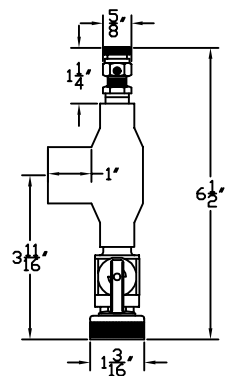
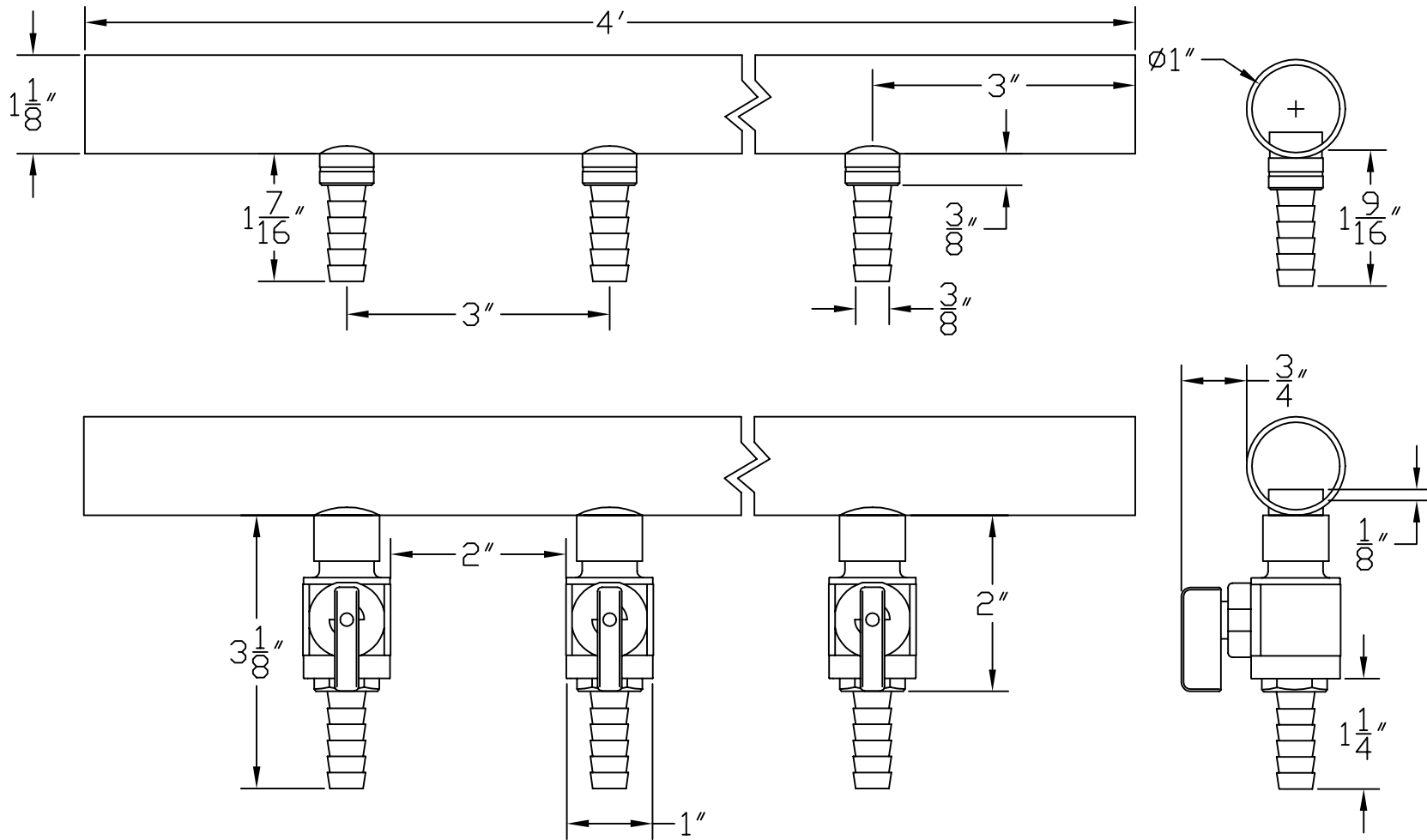
Vent/Purge Assembly



Female Union Assembly



Male Union Assembly



Vent/Purge Assembly: Supply

Watts Radiant

Radiant Floors & Snowmelting
 Ph: 417/864.6108
 Fax: 417/864.8161

GENERAL NOTES:

These diagrams typify factory-assembled manifolds. Field assembled manifolds must use Watts Heatway barb and connections components. Failure to use Watts Heatway materials may violate warranty. Refer to Submittal and/or Master Specification for more detailed information.

SPECIFIER INFORMATION:

MANIFOLD TYPE:

ONIX CUSTOM CUT

ONIX PIPING:

- Residential Heating
 Commercial Snowmelting
 Floor Warming
 Other _____

Zone(s): _____

Base Trunk Size: 1" 1-1/4"

No. of Barbs: _____

Tubing/Barb Size:

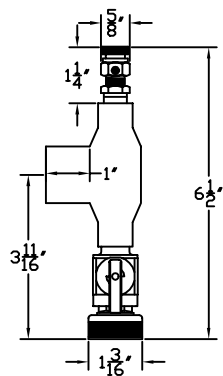
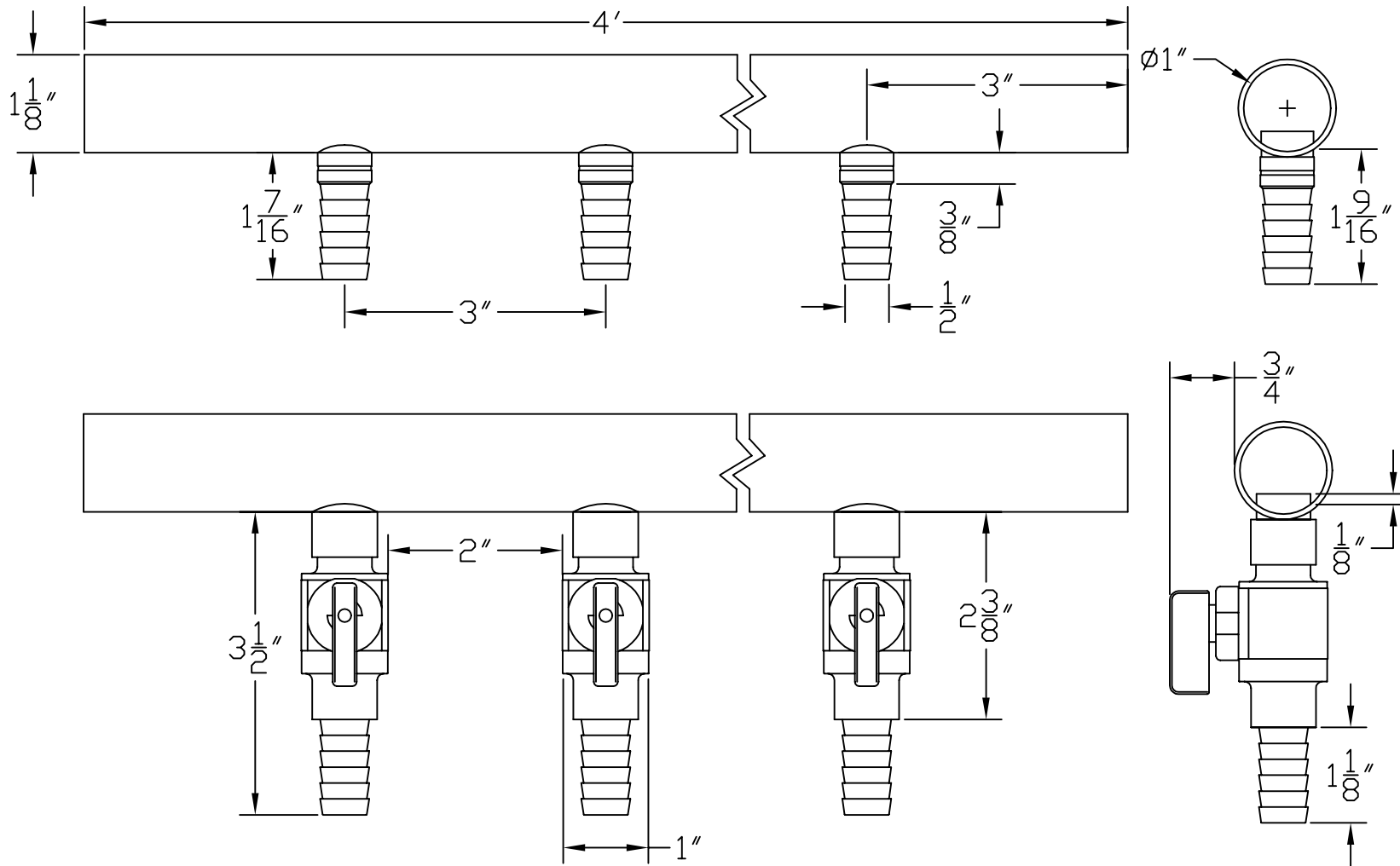
- 3/8" 1/2" 5/8"
 3/4" 1"

Accessories:

- Unions
 Vent/Purge Assembly
 Trunk Isolation Valve
 Balancing Valves - Supply
 Balancing Valves - Return
 No Balancing

Connections:

- SelfTite Clamps
 SureTork Clamps



Vent/Purge Assembly: Supply

Watts Radiant

Radiant Floors & Snowmelting
 Ph: 417/864.6108
 Fax: 417/864.8161

GENERAL NOTES:

These diagrams typify factory-assembled manifolds. Field assembled manifolds must use Watts Heatway barb and connections components. Failure to use Watts Heatway materials may violate warranty. Refer to Submittal and/or Master Specification for more detailed information.

SPECIFIER INFORMATION:

MANIFOLD TYPE:

ONIX CUSTOM CUT

ONIX PIPING:

- Residential Heating
 Commercial Snowmelting
 Floor Warming
 Other _____

Zone(s): _____

Base Trunk Size: 1" 1-1/4"

No. of Barbs: _____

Tubing/Barb Size:

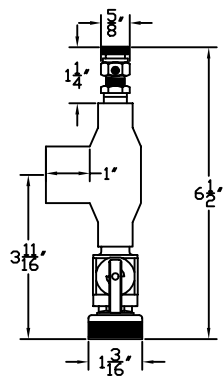
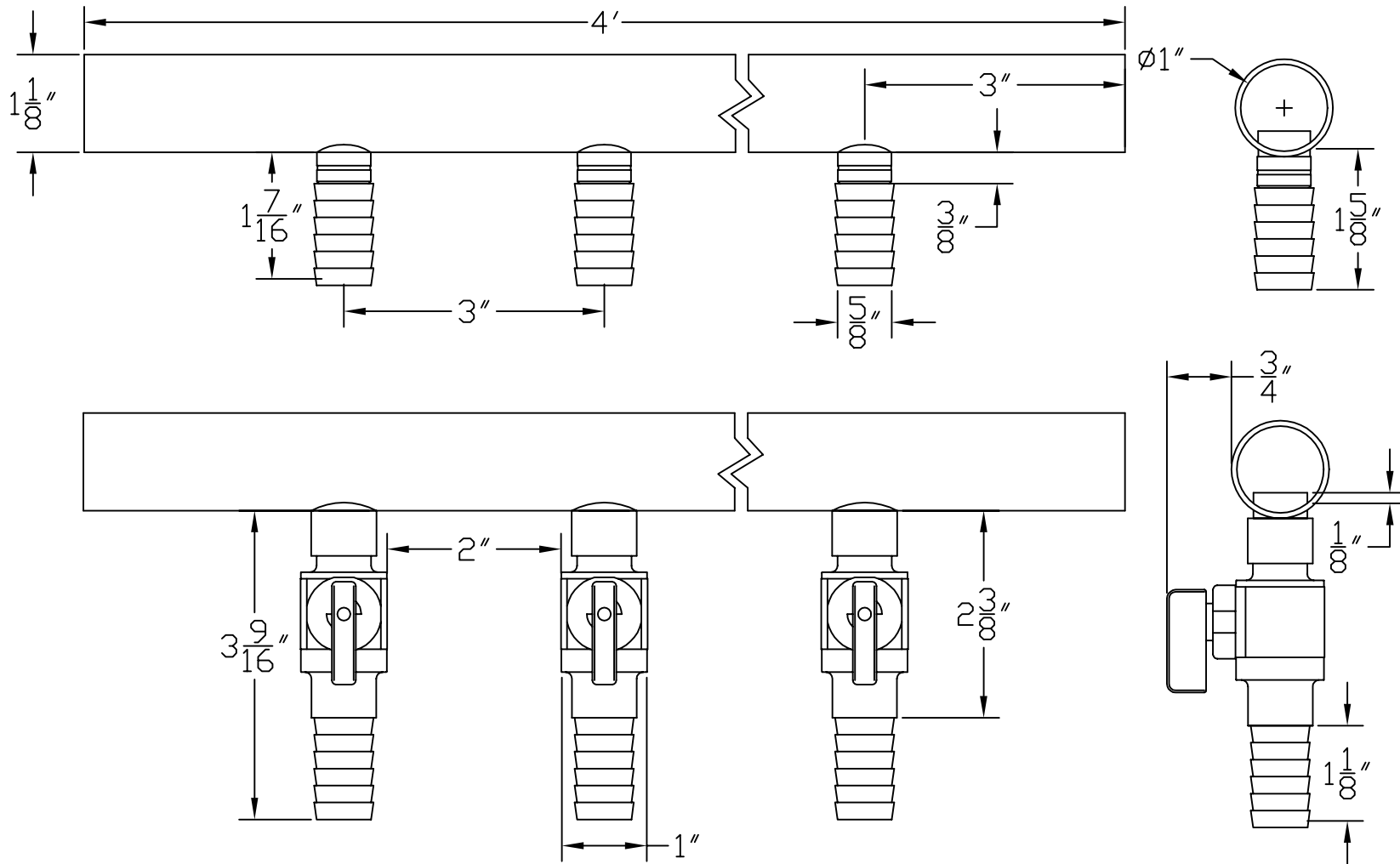
- 3/8" 1/2" 5/8"
 3/4" 1"

Accessories:

- Unions
 Vent/Purge Assembly
 Trunk Isolation Valve
 Balancing Valves - Supply
 Balancing Valves - Return
 No Balancing

Connections:

- SelfTite Clamps
 SureTork Clamps



Vent/Purge Assembly: Supply

Watts Radiant

Radiant Floors & Snowmelting
 Ph: 417/864.6108
 Fax: 417/864.8161

GENERAL NOTES:

These diagrams typify factory-assembled manifolds. Field assembled manifolds must use Watts Heatway barb and connections components. Failure to use Watts Heatway materials may violate warranty. Refer to Submittal and/or Master Specification for more detailed information.

SPECIFIER INFORMATION:

MANIFOLD TYPE:

ONIX CUSTOM CUT

ONIX PIPING:

- | | |
|--------------------------------------|--|
| <input type="checkbox"/> Residential | <input type="checkbox"/> Heating |
| <input type="checkbox"/> Commercial | <input type="checkbox"/> Snowmelting |
| | <input type="checkbox"/> Floor Warming |
| <input type="checkbox"/> Other _____ | |

Zone(s): _____

Base Trunk Size: 1" 1-1/4"

No. of Barbs: _____

Tubing/Barb Size:

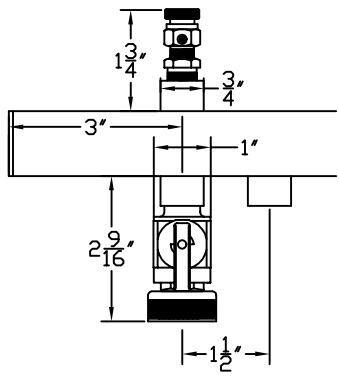
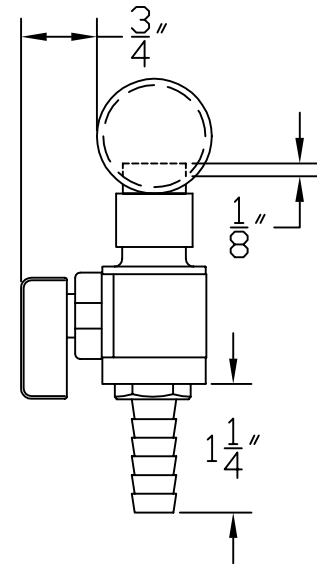
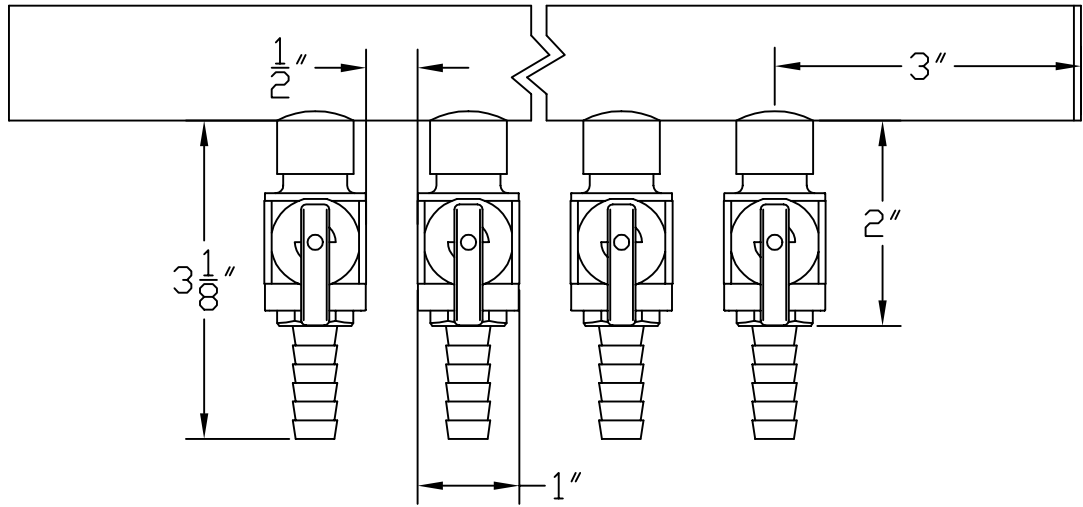
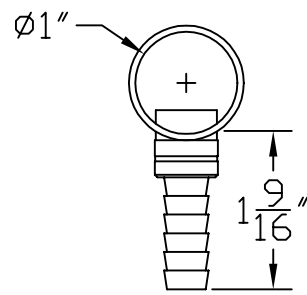
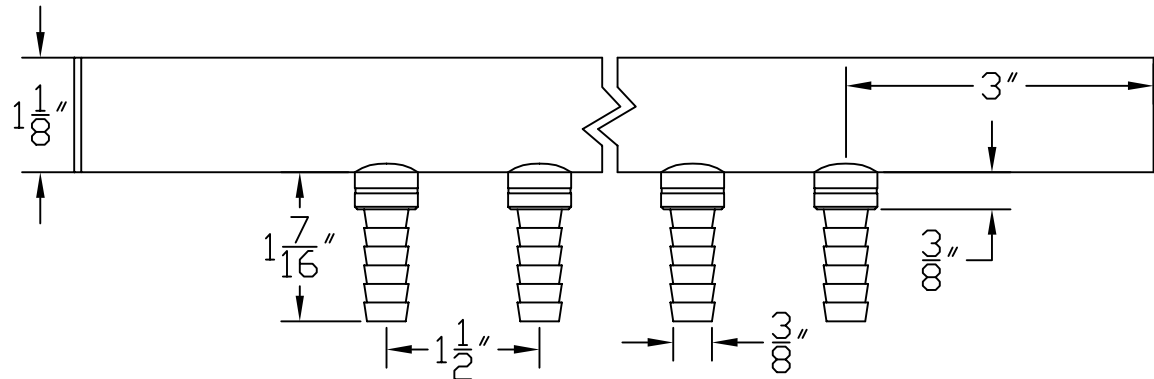
- | | | |
|-------------------------------|-------------------------------|--|
| <input type="checkbox"/> 3/8" | <input type="checkbox"/> 1/2" | <input checked="" type="checkbox"/> 5/8" |
| <input type="checkbox"/> 3/4" | <input type="checkbox"/> 1" | |

Accessories:

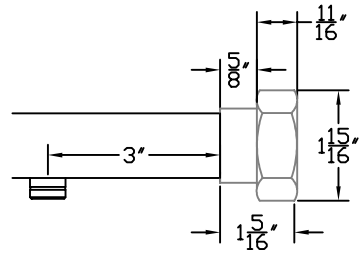
- Unions
- Vent/Purge Assembly
- Trunk Isolation Valve
- Balancing Valves - Supply
- Balancing Valves - Return
- No Balancing

Connections:

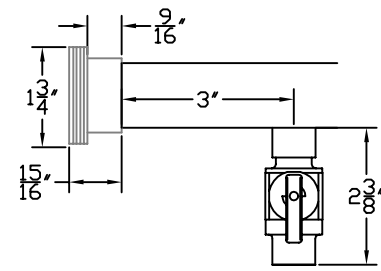
- SelfTite Clamps
- SureTork Clamps



Vent/Purge Assembly: Supply



Female Union Assembly: Supply



Male Union Assembly: Return

Watts Radiant

Radiant Floors & Snowmelting
 Ph: 417/864.6108
 Fax: 417/864.8161

GENERAL NOTES:

These diagrams typify factory-assembled manifolds. Field assembled manifolds must use Watts Heatway barb and connections components. Failure to use Watts Heatway materials may violate warranty. Refer to Submittal and/or Master Specification for more detailed information.

SPECIFIER INFORMATION:

MANIFOLD TYPE:

ONIX STANDARD

ONIX PIPING:

- Residential
- Commercial
- Other _____
- Heating
- Snowmelting
- Floor Warming

Zone(s): _____

Base Trunk Size: 1" 1-1/4"

No. of Barbs: _____

Tubing/Barb Size:
 3/8" 1/2" 5/8"
 3/4" 1"

- Accessories:
- Unions
 - Vent/Purge Assembly
 - Trunk Isolation Valve
 - Balancing Valves - Supply
 - Balancing Valves - Return
 - No Balancing

- Connections:
- SelfTite Clamps
 - SureTork Clamps

Watts Radiant

Radiant Floors & Snowmelting
 Ph: 417/864.6108
 Fax: 417/864.8161

GENERAL NOTES:

These diagrams typify factory-assembled manifolds. Field assembled manifolds must use Watts Heatway barb and connections components. Failure to use Watts Heatway materials may violate warranty. Refer to Submittal and/or Master Specification for more detailed information.

SPECIFIER INFORMATION:

MANIFOLD TYPE:

ONIX STANDARD

ONIX PIPING:

- Residential Heating
 Commercial Snowmelting
 Floor Warming
 Other _____

Zone(s): _____

Base Trunk Size: 1" 1-1/4"

No. of Barbs: _____

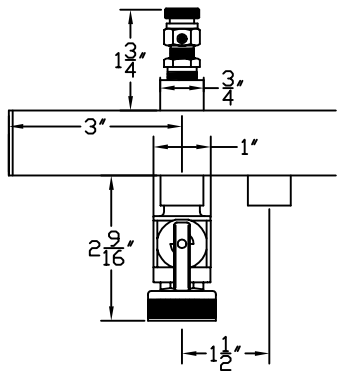
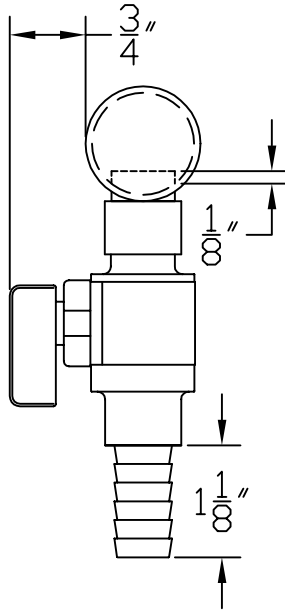
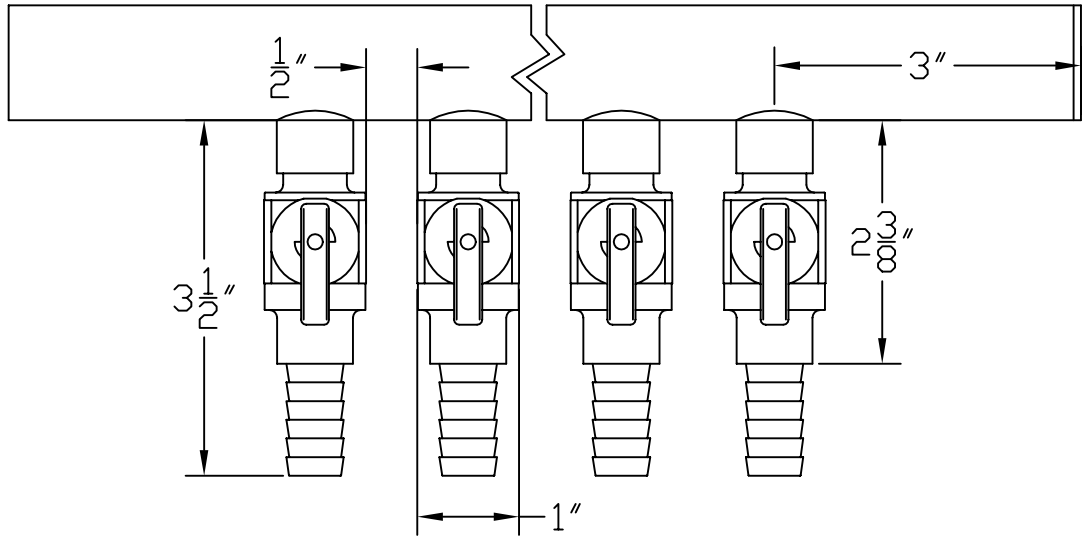
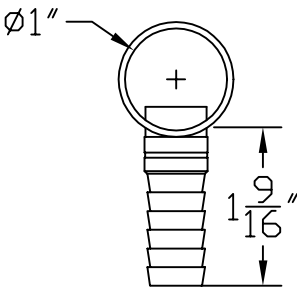
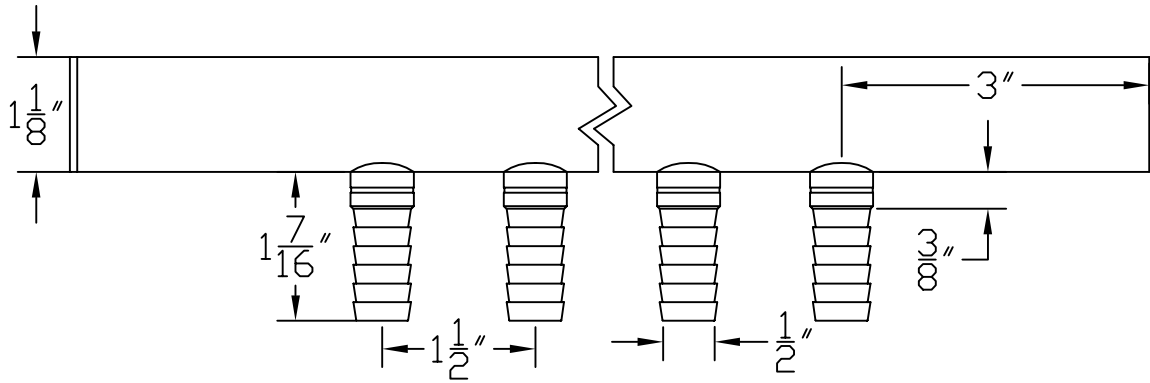
Tubing/Barb Size:
 3/8" 1/2" 5/8"
 3/4" 1"

Accessories:

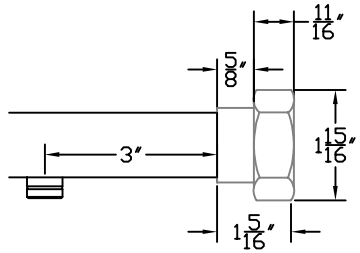
- Unions
 Vent/Purge Assembly
 Trunk Isolation Valve
 Balancing Valves - Supply
 Balancing Valves - Return
 No Balancing

Connections:

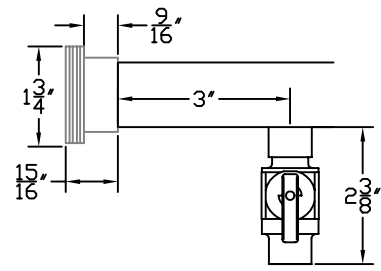
- SelfTite Clamps
 SureTork Clamps



Vent/Purge Assembly: Supply



Female Union Assembly: Supply



Male Union Assembly: Return

Watts Radiant

Radiant Floors & Snowmelting
 Ph: 417/864.6108
 Fax: 417/864.8161

GENERAL NOTES:

These diagrams typify factory-assembled manifolds. Field assembled manifolds must use Watts Heatway barb and connections components. Failure to use Watts Heatway materials may violate warranty. Refer to Submittal and/or Master Specification for more detailed information.

SPECIFIER INFORMATION:

MANIFOLD TYPE:

ONIX STANDARD

ONIX PIPING:

- Residential Heating
 Commercial Snowmelting
 Floor Warming
 Other _____

Zone(s): _____

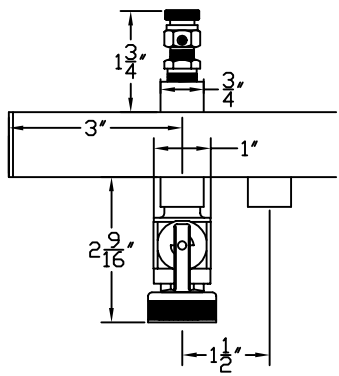
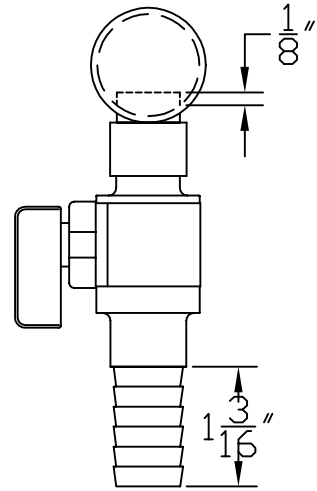
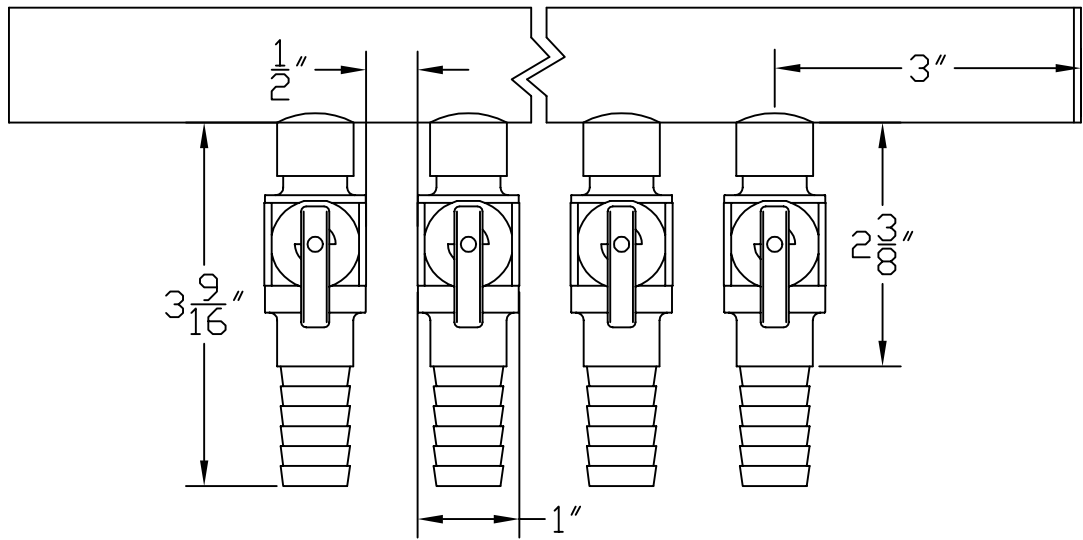
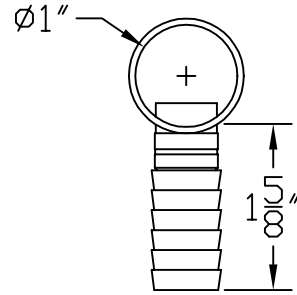
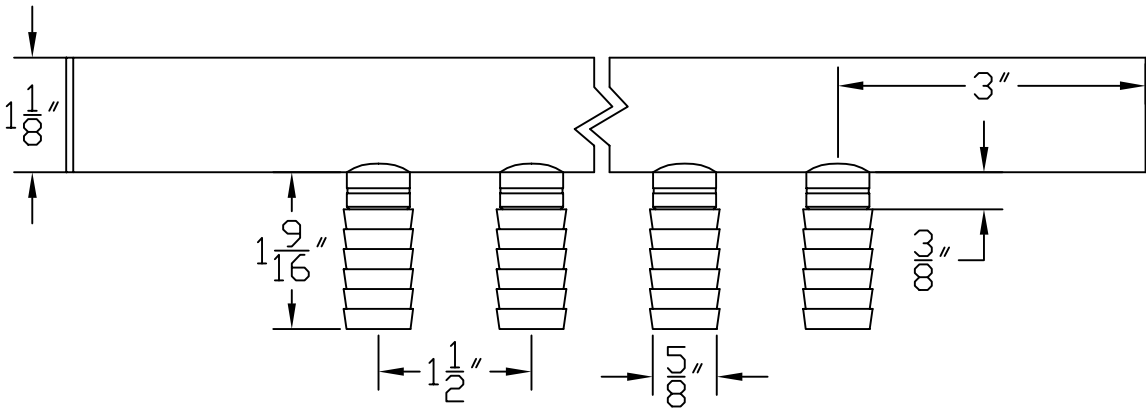
Base Trunk Size: 1" 1-1/4"

No. of Barbs: _____

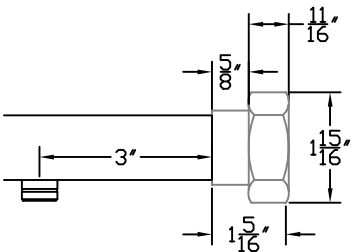
Tubing/Barb Size:
 3/8" 1/2" 5/8"
 3/4" 1"

- Accessories:
- Unions
 - Vent/Purge Assembly
 - Trunk Isolation Valve
 - Balancing Valves - Supply
 - Balancing Valves - Return
 - No Balancing

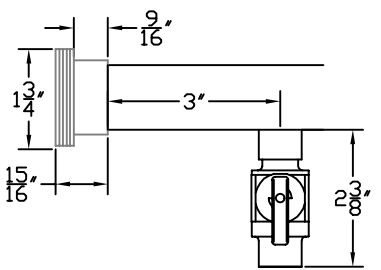
- Connections:
- SelfTite Clamps
 - SureTork Clamps



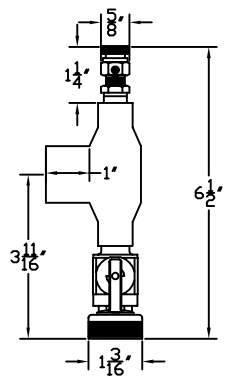
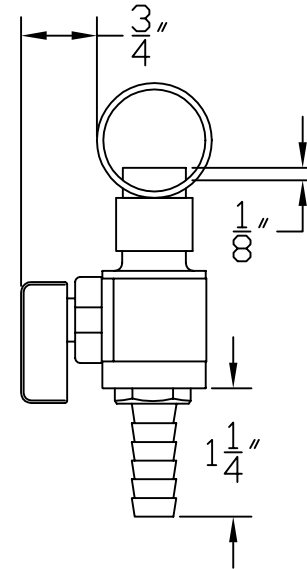
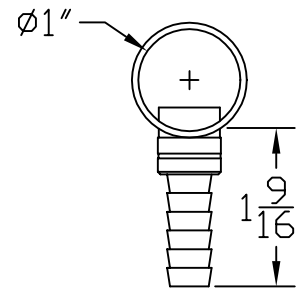
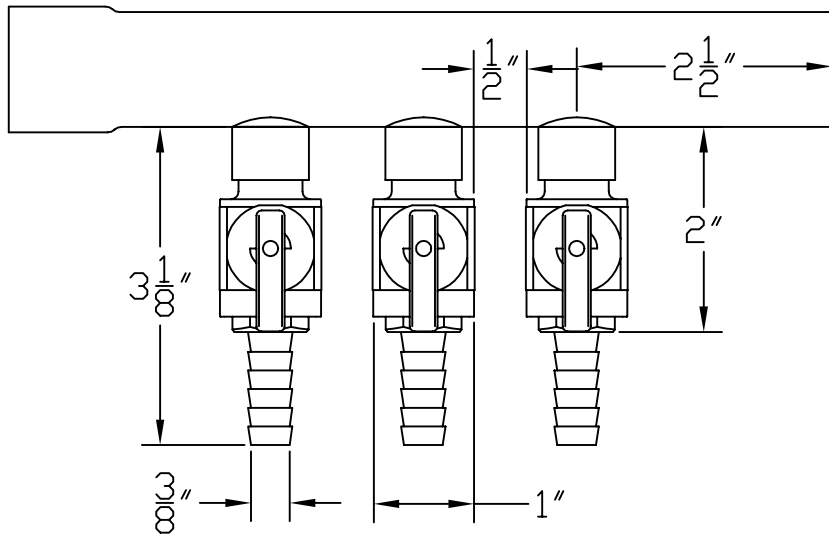
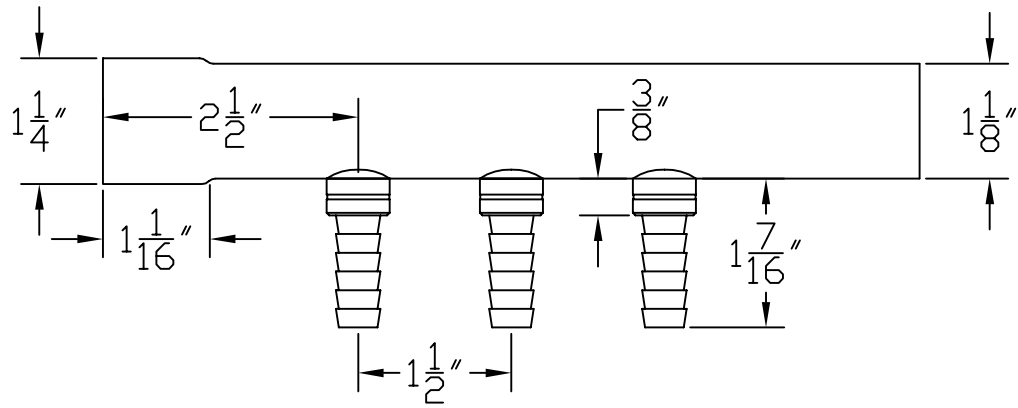
Vent/Purge Assembly: Supply



Female Union Assembly: Supply



Male Union Assembly: Return



Vent/Purge Assembly: Supply

Watts Radiant

Radiant Floors & Snowmelting

Ph: 417/864.6108

Fax: 417/864.8161

GENERAL NOTES:

These diagrams typify factory-assembled manifolds. Field assembled manifolds must use Watts Heatway barb and connections components. Failure to use Watts Heatway materials may violate warranty. Refer to Submittal and/or Master Specification for more detailed information.

SPECIFIER INFORMATION:

MANIFOLD TYPE:

ONIX SWEDGE

ONIX PIPING:

- Residential Heating
 Commercial Snowmelting
 Floor Warming
 Other _____

Zone(s): _____

Base Trunk Size: 1" 1-1/4"

No. of Barbs: _____

Tubing/Barb Size:

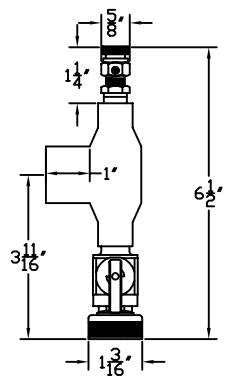
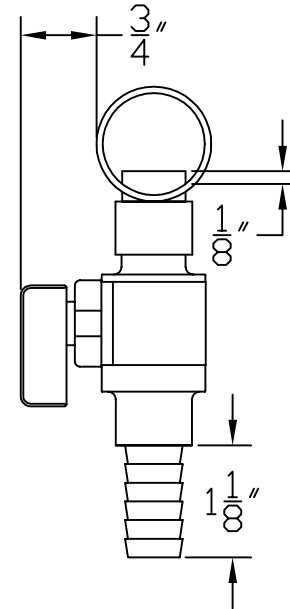
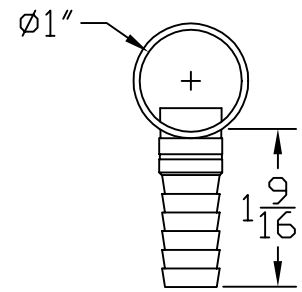
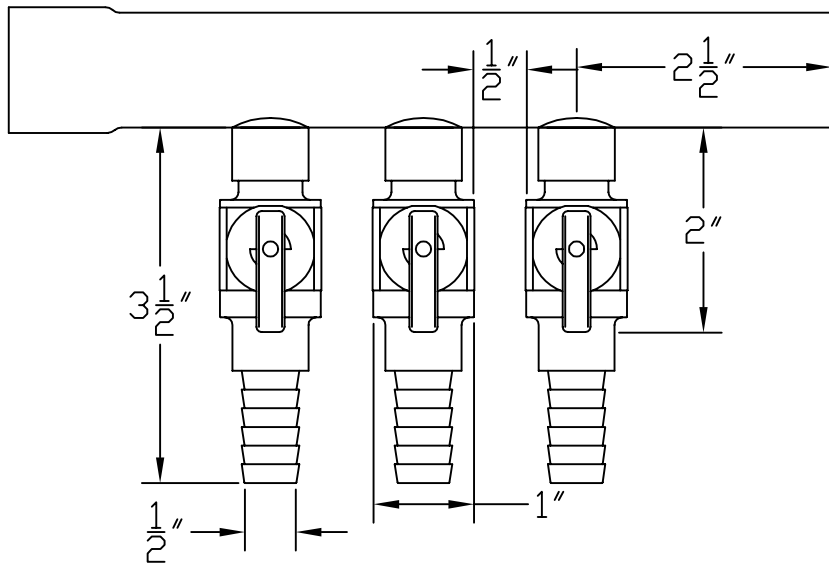
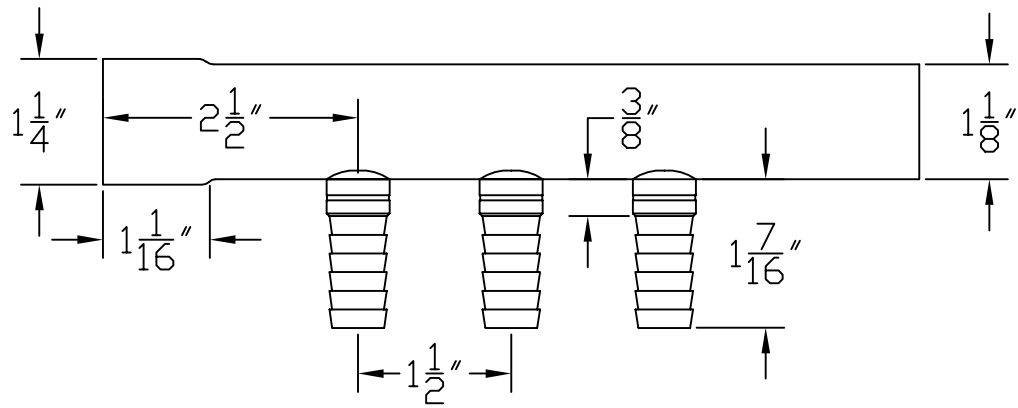
- 3/8" 1/2" 5/8"
 3/4" 1"

Accessories:

- Unions
 Vent/Purge Assembly
 Trunk Isolation Valve
 Balancing Valves - Supply
 Balancing Valves - Return
 No Balancing

Connections:

- SelfTite Clamps
 SureTork Clamps



Vent/Purge Assembly: Supply

Watts Radiant

Radiant Floors & Snowmelting
 Ph: 417/864.6108
 Fax: 417/864.8161

GENERAL NOTES:

These diagrams typify factory-assembled manifolds. Field assembled manifolds must use Watts Heatway barb and connections components. Failure to use Watts Heatway materials may violate warranty. Refer to Submittal and/or Master Specification for more detailed information.

SPECIFIER INFORMATION:

MANIFOLD TYPE:

ONIX SWEDGE

ONIX PIPING:

- Residential Heating
 Commercial Snowmelting
 Floor Warming
 Other _____

Zone(s): _____

Base Trunk Size: 1" 1-1/4"

No. of Barbs: _____

Tubing/Barb Size:
 3/8" 1/2" 5/8"
 3/4" 1"

- Accessories:
- Unions
 - Vent/Purge Assembly
 - Trunk Isolation Valve
 - Balancing Valves - Supply
 - Balancing Valves - Return
 - No Balancing

- Connections:
- SelfTite Clamps
 - SureTork Clamps