

Job Name _____

Contractor _____

Job Location _____

Approval _____

Engineer _____

Contractor's P.O. No. _____

Approval _____

Representative _____

SSR-Ex

Online TRO and Chlorine Monitor for Hazardous Environments

The SSR-Ex is a 2nd generation product, designed to be SAFE, SIMPLE, and ROBUST. In addition, this instrument is rated for ATEX Zone 1 and Zone 2 hazardous areas aboard ships.

In an effort to make it SAFE, we have created a Patent Pending method for isolating electronics from the "Wet Chemistry" area of the instrument. This means that an operator can open the enclosure at any time to service the unit without using a bypass key, or exposing the electronics to a potentially hazardous atmosphere.

The SIMPLE, 4 button interface panel and color screen allow for easy manipulation and viewing of 0 - 15ppm Chlorine measurements at any time. New, color coded bags have been implemented for reagent delivery. These take up less space when packing, storing, and shipping, and do not need to be vented.

This ROBUST, second Generation unit uses less moving parts, is fitted with a drain, and has an easy access T-strainer on the door. An Intake air filter and oil/water separator are supplied with every unit to ensure clean air is supplied to the purge controller for reliable operation.

Standard Features

- Certified for operation in IECEx & ATEX Zones 1 & 2
- Calibration kit available
- 2 user settable alarm relays
- 4-20mA & Modbus outputs
- Colorimetric DPD Methodology
- Enclosure emergency drain
- External air filter/conditioner included
- Internal sample pump

NOTICE

The information contained herein is not intended to replace the full product installation and safety information available or the experience of a trained product installer. You are required to thoroughly read all installation instructions and product safety information before beginning the installation of this product.



SSR-Ex

Specifications:

Range	0-15 mg/l (PPM)
Cycle Time	User selectable 45 seconds -10 minutes
Accuracy	+/- 10% of reading for the full range
Resolution	0.01 mg/l (PPM)
Method	USEPA accepted DPD method of analysis for measuring TRO
Standard Outputs	4-20mA and Modbus RTU
User Alarms	2 user selectable and configurable Form C relays
Operating Temperature	0°C - 55°C
Sample Pressure	Maximum pressure 3 bar (45psi) sample supplied by internal pump
Compressed Air Pressure	5.5 -7 bar (80- 100psi)
Enclosure Rating	IP55
Power	100-240 VAC 47-63 Hz
Certifications	ATEX, IECEx, USCG, submitted to DNVGL
Flow Rate to Waste	Maximum 150 ml/min
Shipping Dimensions	36.5" x 24.5" x 12.5"
Shipping Weight	60 lbs

HF scientific product specifications in U.S. customary units and metric are approximate and are provided for reference only. For precise measurements, please contact HF scientific Technical Service. HF scientific reserves the right to change or modify product design, construction, specifications, or materials without prior notice and without incurring any obligation to make such changes and modifications on HF scientific products previously or subsequently sold.

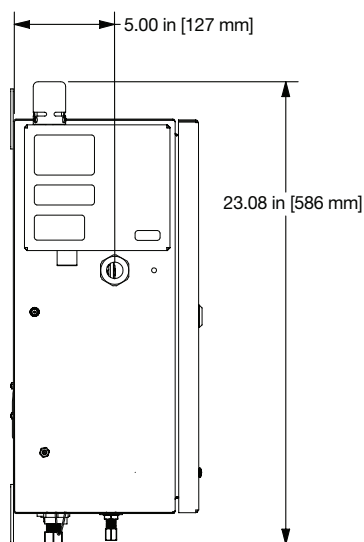
Accessories

PART#	DESCRIPTION
09931	TOTAL Chlorine SSR- Ex (Liquid Reagent Kit)
09958	TOTAL Chlorine SSR- Ex (Dry Reagent Kit)
28141S	Replacement Peristaltic Pump Head
28142S	Reagent Tubing Kit
28143S	T-Strainer/ Pressure Regulator Assembly
28145S	Replacement T-Strainer Screen
28139	Air Filter/Dryer Assembly (Air Prep Kit)
28140S	Air Filter/Dryer Element Replacement Kit
28144S	Calibration Kit
24320S	Pressure Regulator (Inlet Water)

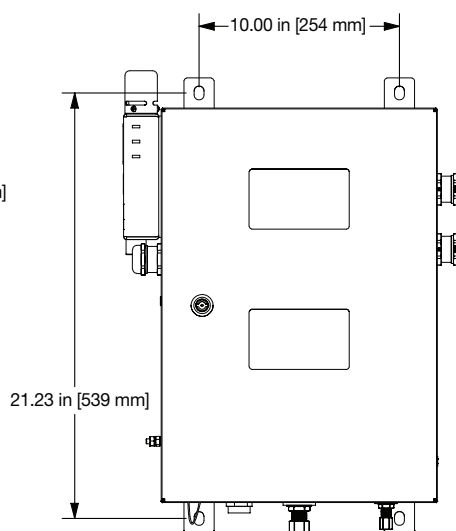
Ordering Information

MODEL	DESCRIPTION
28037	SSR-Ex Online TRO and Chlorine Monitor for Hazardous Environments

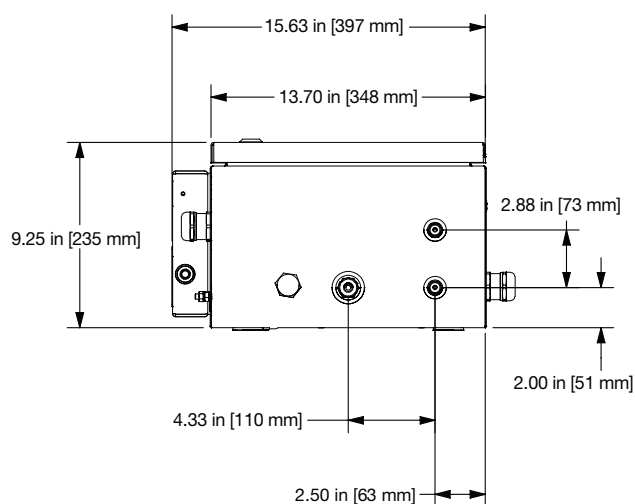
Dimensions



Side



Front



Bottom



A WATTS Brand

USA: T: (239) 337-2116 • Toll-Free (888) 203-7248 • F: (239) 332-7643 • HFscientific.com
 Latin America: T: (52) 81-1001-8600 • HFscientific.com