

# Engineering Specification

Job Name \_\_\_\_\_  
 Job Location \_\_\_\_\_  
 Engineer \_\_\_\_\_  
 Approval \_\_\_\_\_

Contractor \_\_\_\_\_  
 Approval \_\_\_\_\_  
 Contractor's P.O. No. \_\_\_\_\_  
 Representative \_\_\_\_\_

## **LEAD FREE\***

# Cast Iron Flanged End Wye Strainers

### Model: 758, Class 125 758 SM, Class 125

**Sizes: 3/4" - 24", 2" - 24" (758 SM Only)**

The 758 and 758 SM wye strainers provide economical protection for costly pumps, meters, valve and other similar mechanical equipment by straining foreign matter from the piping system. Installation of a strainer before mechanical equipment can ensure trouble free service and avoid costly shutdowns for repair or replacement of equipment damaged by foreign matter. Smart and Connected technology comes standard on the NEW 758 SM wye strainer with two pre-installed pressure sensors at the inlet and outlet of the strainer. These sensors monitor the pressure drop that occurs over time when a strainer screen becomes clogged by foreign particles. When the differential pressure across the strainer screen exceeds the preconfigured threshold, an alert is triggered to the customer informing that action is required. The Sensor Monitoring Control Unit & Connection kit is required to activate the pressure monitoring capability and collect data. Without the connection kit, the sensors are passive components that do not communicate with any other device. The add-on connection kit communicates over wired RS-485 MODBUS or BACnet connection and is compatible with most Building Management and Building Automation Systems. An alternate cellular communication gateway option is available if no BMS is present, however this option provides alerts only, data streaming is not available.

### Features

- Mueller "BREECH-LOK STRAINERS" furnished as standard in sizes 8" and larger
- A one-quarter turn securely locks the screen in its seat
- Allows for easy bolting of the cover flange
- Tapered seats in both the body and cover flange retain screen and prevent particle bypass

### Features for 758 SM

- Real-time pressure monitoring
- Visual Display - Pressure and temperature data for each sensor, Screen Pressure differential, Screen fill percentage
- Data streaming if connected to BMS [RS-485 MODBUS or BACNet]
- Full basket alerts
- Cellular Communications Gateway if no BMS present



Model 758

Model 758 SM

### Alerts

- Display
- LED
- BMS Alarm
- Cellular Gateway
- RS-485 MODBUS and BACNet

Call customer service if you need assistance with technical details.

### PRESSURE/TEMPERATURE–NON-SHOCK

758	
3/4" - 12"	14" - 24"
200 psi @ -20°F to 150°F	150 psi @ -20°F to 150°F
14 bar @ -29°C to 66°C	10 bar @ -29°C to 66°C
125 psi @ 450°F	100 psi @ 353°F
9 bar @ 232°C	7 bar @ 176°C
758 SM	
2" - 12"	14" - 24"
200 psi @ -20°F to 150°F	150 psi @ -20°F to 150°F
14 bar @ -29°C to 66°C	10 bar @ -29°C to 66°C
125 psi @ 32°F to 248°F	100psi @ 32°F to 248°F
9 bar @ 0°C to 120°C	7 bar @ 0°C to 120°C

### Screens

MODEL	SIZES	STANDARD (WATER)		STEAM RECOMMENDATION	
		MATERIAL	OPENING	MATERIAL	OPENING
758 & 758 SM	3/4" – 4"	304SS	.062 perf	304SS	.045 perf
758 & 758 SM	5" – 10"	304SS	.125 perf	304SS	.045 perf
758 & 758 SM	12" and Up	304SS	.125 perf	304SS	.062 perf

### NOTICE

The information contained herein is not intended to replace the full product installation and safety information available or the experience of a trained product installer. You are required to thoroughly read all installation instructions and product safety information before beginning the installation of this product.

\*The wetted surface of this product contacted by consumable water contains less than 0.25% of lead by weight.

Mueller Steam Specialty product specifications in U.S. customary units and metric are approximate and are provided for reference only. For precise measurements, please contact Mueller Steam Specialty Technical Service. Mueller Steam Specialty reserves the right to change or modify product design, construction, specifications, or materials without prior notice and without incurring any obligation to make such changes and modifications on Mueller Steam Specialty products previously or subsequently sold.



**A WATTS Brand**

## Construction

- All covers have NPT blowoff outlet at location C.
- Recessed seat in the cover assures accurate screen alignment
- Bosses at the inlet and outlet flanges are provided for the gauge taps

## Self-Cleaning

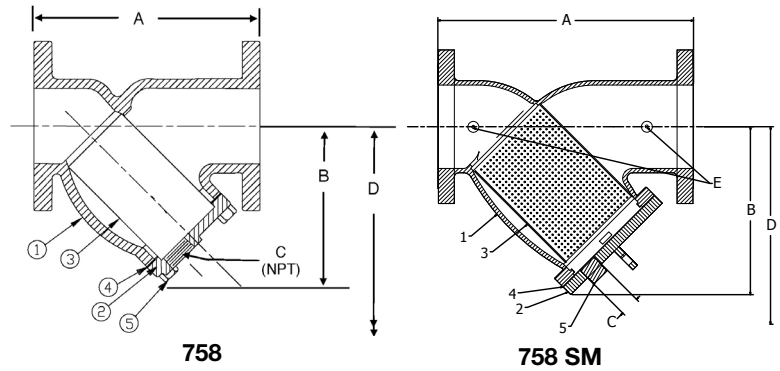
- Self-cleaning is accomplished by opening the plug or valve connected to the blowoff outlet
- Advise when strainers are to be mounted in vertical piping so we can rotate the cover to position the blowoff at the lowest point

## Blowoff Outlets

- Outlets are NPT tapped
- Sizes of tapping specified in dimensions table
- Not normally furnished with plug. Plug available, specify with order

## Capacity

- Generously proportioned bodies
- Open Area Ratio much greater than pipe size, ensuring low pressure drop



## Materials

BILL OF MATERIAL - 758		
ITEM	DESCRIPTION	MATERIAL
1	BODY	Cast Iron ASTM A126-B
2	COVER **	Cast Iron ASTM A126-B
3	SCREEN	304 SS
4	GASKET	Non-Asbestos
5	HEX HEAD CAP SCREWS	SAE J429 Gr. 5
6	PRESSURE SENSOR	Mixed composite

\*\* Cover may be manufactured from equivalent grade plate material

## Dimensions and Weights

SIZE	DIMENSIONS						WEIGHT				CV		
	A		B		C (NPT)		D Screen Removal		E (NPT) Sensor Port			lbs.	kgs.
in.	in.	mm	in.	mm	in.	mm	in.	mm	in.	mm			
¾	7⅝	187	3¾	95	½	15	5	127	-	-	10	4.5	15
1	7⅝	187	3⅞	98	½	15	5	127	-	-	10	4.5	22
1¼	7½	190	4¾	120	½	15	6½	165	-	-	13	5.9	38
1½	7½	190	4¾	120	½	15	6½	165	-	-	13	5.9	42
2	7⅞	200	5¼	133	½	15	7	178	½	15	18	8	70
2½	10	254	6½	165	1	25	9¼	248	½	15	28	12	110
3	10⅞	257	7	178	1	25	10	254	½	15	34	15	140
4	12⅞	308	8¼	210	1½	40	12	305	½	15	60	27	245
5	15⅝	397	11¼	286	2	50	17	432	½	15	95	43	400
6	18½	470	13½	343	2	50	20	508	½	15	133	60	600
8	21⅝	549	15½	394	2	50	22¾	578	½	15	247	112	1,000
10	25¼	654	18½	470	2	50	28	711	½	15	370	168	1,580
12	29⅞	759	21¼	553	2	50	30	762	½	15	579	263	2,200
14	33¼	846	25	635	2	50	36½	927	½	15	863	392	3,200
16	38¼	984	26½	673	2	50	42	1067	½	15	1380	627	4,900
18	43⅞	1105	31	788	2	50	45½	1156	½	15	2272	1032	6,100
20	49½	1257	38⅞	970	2	50	55⅞	1407	½	15	2675	1213	8,000
24	58½	1486	44⅞	1119	2	50	67¼	1708	½	15	4880	2213	11,000

Apply For Certified Drawings.



A WATTS Brand

USA: T: (800) 334-6259 • MuellerSteam.com

Latin America: T: (52) 55-4122-0138 • MuellerSteam.com