

Model: 595

Job Name _____

Contractor _____

Job Location _____

Approval _____

Engineer _____

Contractor's P.O. No. _____

Approval _____

Representative _____

LEAD FREE*

Cast Iron Flanged Ends Basket Strainers UL Listed for Firelines

Model: 595**Sizes: 4" – 12"****Model 595****PRESSURE/TEMPERATURE–NON-SHOCK**

MODEL	MATERIAL	RATING
595	Cast Iron	CWF
		175psi @ 150°F
		12 bar @ 66°C
		125psi @ 406°F

595**Class 125****Typical Service**

These strainers are used exclusively to prevent clogging in fire service systems. Such systems can include automatic water sprinklers and various spray systems.

Features

- Extra large baskets have an Open Area Ratio of at least 7 to 1. AWWA only requires a minimum of 4 to 1 Ratio.
- Extra large capacity baskets equal very low pressure drop and long intervals between cleaning and servicing, essential in this service.
- NPT tapped blow-off and vent connections are standard. / Blow-off is at "D" for draining and cleaning, air vent is at "E". See next page for locations and sizes. Plugs are furnished as standard.

Pressure Drop

SIZE	PRESSURE DROP @ 15 FT/SEC
	4"
6"	2.20
8"	1.14
10"	3.00
12"	3.95

Basket

MODEL	SIZES	STANDARD (WATER)	
		MATERIAL	OPENING
595	4" – 12"	304SS	.250 perf

NOTICE

The information contained herein is not intended to replace the full product installation and safety information available or the experience of a trained product installer. You are required to thoroughly read all installation instructions and product safety information before beginning the installation of this product.

*The wetted surface of this product contacted by consumable water contains less than 0.25% of lead by weight.

Mueller Steam Specialty product specifications in U.S. customary units and metric are approximate and are provided for reference only. For precise measurements, please contact Mueller Steam Specialty Technical Service. Mueller Steam Specialty reserves the right to change or modify product design, construction, specifications, or materials without prior notice and without incurring any obligation to make such changes and modifications on Mueller Steam Specialty products previously or subsequently sold.

A WATTS Brand

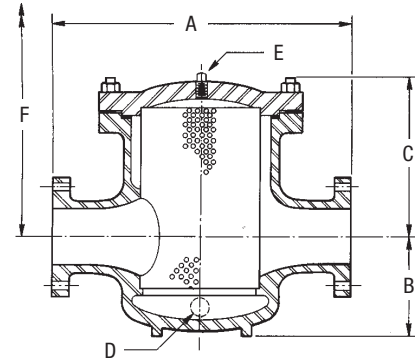
Material

	595
Body	Cast Iron ASTM A126 Grade B
Cover	Cast Iron ASTM A126 Grade B
Gasket	Compressed Fiber

Dimensions and Weights

SIZE		DIMENSIONS										WEIGHT			
		A		B		C		D (NPT)		E (NPT)		F Screen Removal			
<i>in.</i>	<i>mm</i>	<i>in.</i>	<i>mm</i>	<i>in.</i>	<i>mm</i>	<i>in.</i>	<i>mm</i>	<i>in.</i>	<i>mm</i>	<i>in.</i>	<i>mm</i>	<i>in.</i>	<i>mm</i>	<i>lbs.</i>	<i>kgs.</i>
4	100	21	535	7¼	184	10⅞	263	1½	40	¼	8	22	559	237	107
6	150	26⅞	683	8	203	14⅝	371	2	50	¼	8	31½	800	382	173
8	200	31⅞	795	10	254	18⅞	468	2	50	¼	8	39½	1003	654	297
10	250	35¾	908	12	305	20¾	527	2	50	¼	8	44¾	1137	963	437
12	300	40¼	1022	13½	343	25⅜	656	2	50	¼	8	56	1422	1535	697

Apply For Certified Drawings.



Model 595

Limited Warranty: Mueller Steam Specialty warrants each product to be free from defects in material and workmanship under normal usage for a period of one year from the date of original shipment. In the event of such defects within the warranty period, the Company will, at its option, replace or recondition the product without charge. This shall constitute the sole and exclusive remedy for breach of warranty, and the Company shall not be responsible for any incidental, special or consequential damages, including without limitation, lost profits or the cost of repairing or replacing other property which is damaged if this product does not work properly, other costs resulting from labor charges, delays, vandalism, negligence, fouling caused by foreign material, damage from adverse water conditions, chemical, or any other circumstances over which the Company has no control. This warranty shall be invalidated by any abuse, misuse, misapplication or improper installation of the product. **THIS WARRANTY IS IN LIEU OF ALL OTHER WARRANTIES, EXPRESS OR IMPLIED, INCLUDING ANY IMPLIED WARRANTIES OF MERCHANTABILITY OR FITNESS FOR A PARTICULAR PURPOSE.** Any implied warranties that are imposed by law are limited in duration to one year.

Some States do not allow limitations on how long an implied warranty lasts, and some States do not allow the exclusion or limitation of incidental or consequential damages. Therefore the above limitations may not apply to you. This Limited Warranty gives you specific legal rights, and you may have other rights that vary from State to State. You should consult applicable state laws to determine your rights.



A WATTS Brand

USA: T: (800) 334-6259 • F: (800) 421-6772 • MuellerSteam.com

Latin America: T: (52) 81-1001-8600 • MuellerSteam.com

© 2019 Mueller Steam Specialty