

## Engineering Specification

Job Name \_\_\_\_\_

Contractor \_\_\_\_\_

Job Location \_\_\_\_\_

Approval \_\_\_\_\_

Engineer \_\_\_\_\_

Contractor's P.O. No. \_\_\_\_\_

Approval \_\_\_\_\_

Representative \_\_\_\_\_

# Stainless Steel Screwed and Socket Weld End Y Strainers

Models: 581-SS screwed, Class 600  
582-SS socket weld, Class 600  
Size: 1/4" - 2" ( 6 - 50mm)

### Typical Service

- Used extensively to strain foreign matter from pipelines and provide economical protection for costly pumps, meters, valves, and other similar mechanical equipment.
- These are especially critical where weld debris is often present in the pipeline.
- Well suited for long service in high pressure and temperature applications.

### Features

- Machined seats in both body and cap align and lock the screen in place to stop sediment bypass.
- Machined seats facilitate alignment and accurate reseating after servicing.

### Construction

- Straight threaded, gasketed cap is used for easy disassembly and assembly. Many others use Loctite, rendering disassembly virtually impossible.
- Heavy duty, rugged bodies with extra heavy bore.

### Self-Cleaning

- Self-cleaning is accomplished by opening the plug or valve connected to the blowoff outlet.

### Blowoff Outlets

- Outlets are NPT tapped.
- Sizes of tapping specified on next page.
- Not normally furnished with plug. Plug available, specify with order.
- Blind caps are also available, specify with order.

Mueller Steam Specialty product specifications in U.S. customary units and metric are approximate and are provided for reference only. For precise measurements, please contact Mueller Steam Specialty Technical Service. Mueller Steam Specialty reserves the right to change or modify product design, construction, specifications, or materials without prior notice and without incurring any obligation to make such changes and modifications on Mueller Steam Specialty products previously or subsequently sold.



### Working Pressure - Non-Shock

	CWP
1/4" - 2"	1440psi @ 100°F (99.3 bar) @ 38°C
1/4" - 2"	Steam 845psi @ 750°F (58.3 bar) @ 399°C

### Screens

Model	Sizes	Material	Opening	Standard Recommendation	
				Standard (Water)	Steam
581-SS, 582-SS	1/4" - 2"	304SS	.062 perf	304SS	.033 perf

### Capacity

- Generously proportioned bodies.
- Open Area Ratio much greater than pipe size, ensuring low pressure drop.

### NOTICE

The information contained herein is not intended to replace the full product installation and safety information available or the experience of a trained product installer. You are required to thoroughly read all installation instructions and product safety information before beginning the installation of this product.

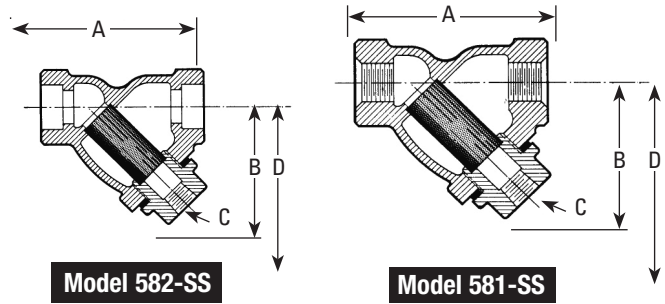
**Mueller Steam Specialty™**

A WATTS Brand

## Dimensions and Weights

SIZE		DIMENSIONS								WEIGHT	
		A		B		C (NPT)		D Screen Removal			
in.	mm	in.	mm	in.	mm	in.	mm	in.	mm	lbs.	kgs.
1/4	8	2 <sup>15</sup> / <sub>16</sub>	76	2 <sup>3</sup> / <sub>8</sub>	60	1/4	6	2 <sup>1</sup> / <sub>2</sub>	64	2	.91
3/8	10	2 <sup>15</sup> / <sub>16</sub>	76	2 <sup>3</sup> / <sub>8</sub>	60	1/4	6	2 <sup>1</sup> / <sub>2</sub>	64	2	.91
1/2	15	2 <sup>15</sup> / <sub>16</sub>	76	2 <sup>3</sup> / <sub>8</sub>	60	1/4	6	2 <sup>1</sup> / <sub>2</sub>	64	2	.91
3/4	20	3 <sup>11</sup> / <sub>16</sub>	95	2 <sup>13</sup> / <sub>16</sub>	72	3/8	10	3 <sup>3</sup> / <sub>8</sub>	86	3	1.36
1	25	4 <sup>9</sup> / <sub>16</sub>	117	3 <sup>1</sup> / <sub>8</sub>	130	3/8	10	4 <sup>3</sup> / <sub>4</sub>	121	5	2.27
1 1/4	32	4 <sup>15</sup> / <sub>16</sub>	127	4	102	3/4	20	5 1/4	133	6.8	3.08
1 1/2	40	5 <sup>9</sup> / <sub>16</sub>	143	4 3/4	121	3/4	20	6	152	9.8	4.45
2	50	6 <sup>15</sup> / <sub>16</sub>	178	6	152	1	25	7 <sup>5</sup> / <sub>8</sub>	194	15	6.8

Apply for Certified Drawings.



## Materials

581-SS, 582-SS	
Body	Stainless Steel ASTM A351 Gr. CF8M
Cap	Stainless Steel ASTM A351 Gr. CF8M
Gasket	Spiral Wound SS, Graphite Filled

## Pressure Drop

- See Pressure Drop Charts in Technical Data Section.

**Limited Warranty:** Mueller Steam Specialty warrants each product to be free from defects in material and workmanship under normal usage for a period of one year from the date of original shipment. In the event of such defects within the warranty period, the Company will, at its option, replace or recondition the product without charge. This shall constitute the sole and exclusive remedy for breach of warranty, and the Company shall not be responsible for any incidental, special or consequential damages, including without limitation, lost profits or the cost of repairing or replacing other property which is damaged if this product does not work properly, other costs resulting from labor charges, delays, vandalism, negligence, fouling caused by foreign material, damage from adverse water conditions, chemical, or any other circumstances over which the Company has no control. This warranty shall be invalidated by any abuse, misuse, misapplication or improper installation of the product. **THIS WARRANTY IS IN LIEU OF ALL OTHER WARRANTIES, EXPRESS OR IMPLIED, INCLUDING ANY IMPLIED WARRANTIES OF MERCHANTABILITY OR FITNESS FOR A PARTICULAR PURPOSE.** Any implied warranties that are imposed by law are limited in duration to one year.

Some States do not allow limitations on how long an implied warranty lasts, and some States do not allow the exclusion or limitation of incidental or consequential damages. Therefore the above limitations may not apply to you. This Limited Warranty gives you specific legal rights, and you may have other rights that vary from State to State. You should consult applicable state laws to determine your rights.



A WATTS Brand

USA: T: (800) 334-6259 • F: (800) 421-6772 • MuellerSteam.com

Latin America: T: (52) 55-4122-0138 • MuellerSteam.com